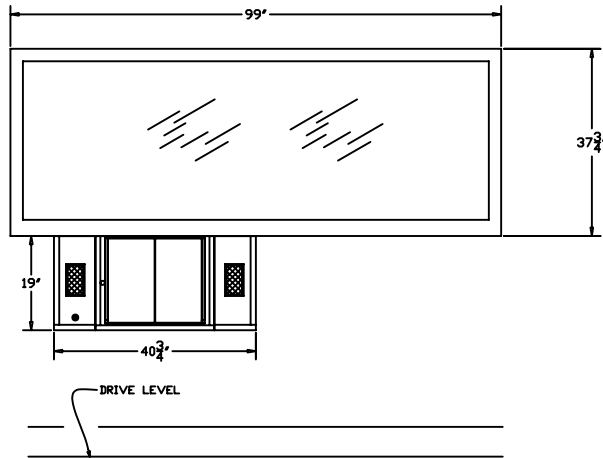
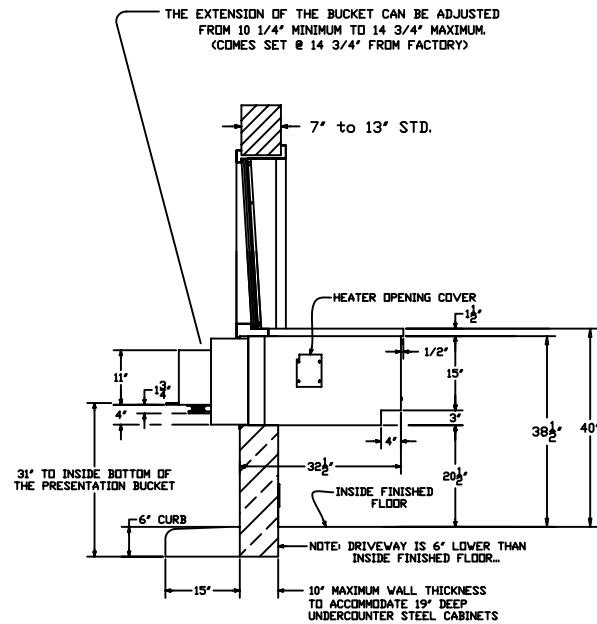


MASONRY OPENING - INTERIOR DETAIL

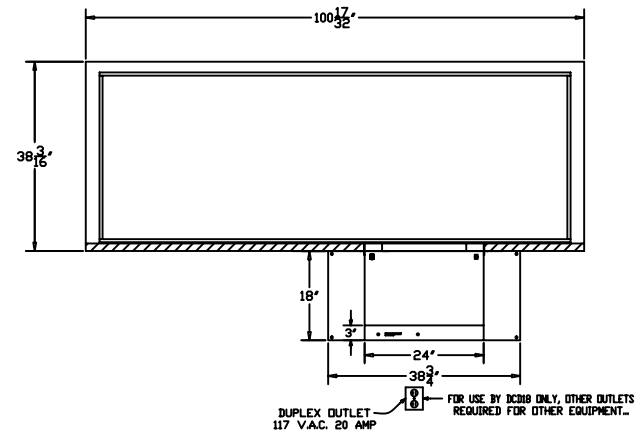


EXTERIOR ELEVATION



SECTION

⌘ POWER REQUIREMENTS ⌘
 117 V.A.C. 60 HZ
 18 AMP. WITH HEATER OPTION
 4 AMP. WITHOUT HEATER OPTION.



INTERIOR ELEVATION

HAMILTON SAFE
 038D WINDOW WITH
 DCD18 DEAL DRAWER
 U.L. LISTED