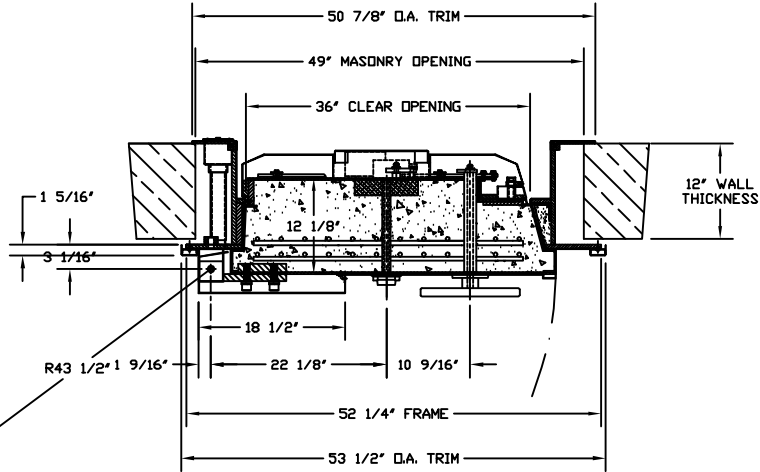
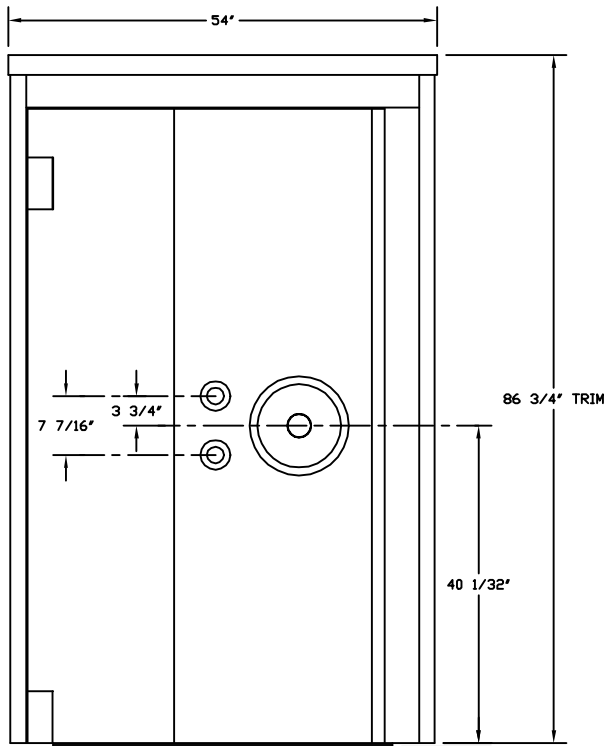


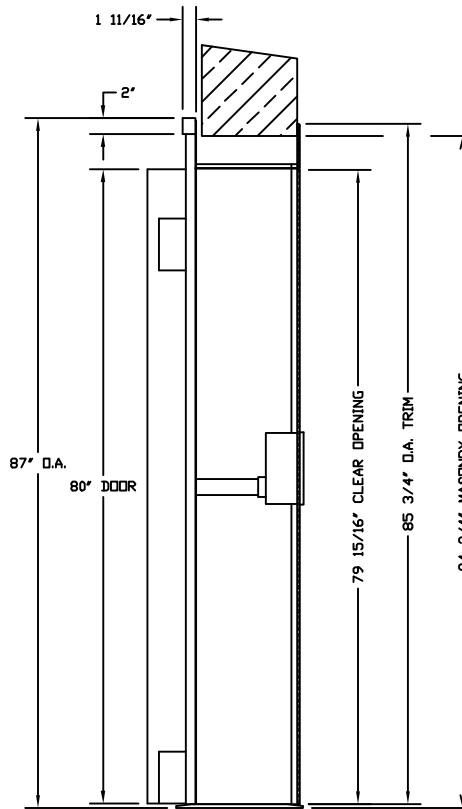
Rev - 1	
Rev - 2	



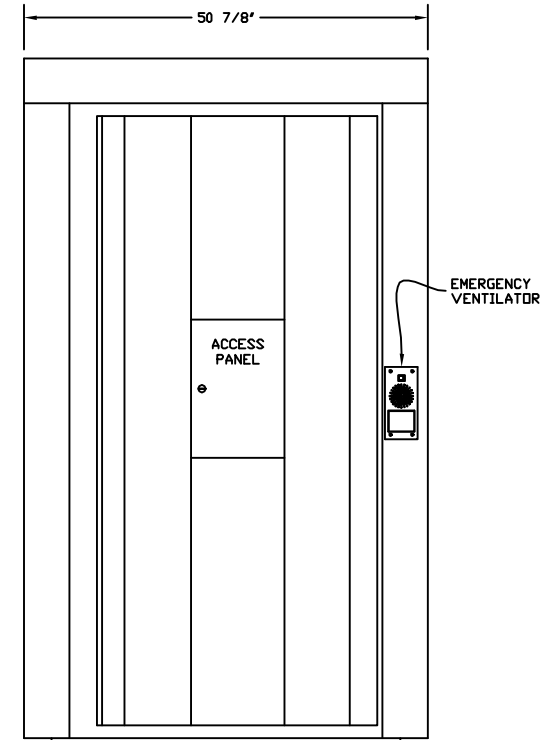
PLAN



EXTERIOR ELEVATION



SECTION



EXTERIOR ELEVATION

HAMILTON SAFE	
DETAILS OF HAMILTON CLASS III VAULT DOOR LEFT SWING U.L. LISTED	
Drawing Number : 95-723	Date : 11/4/99