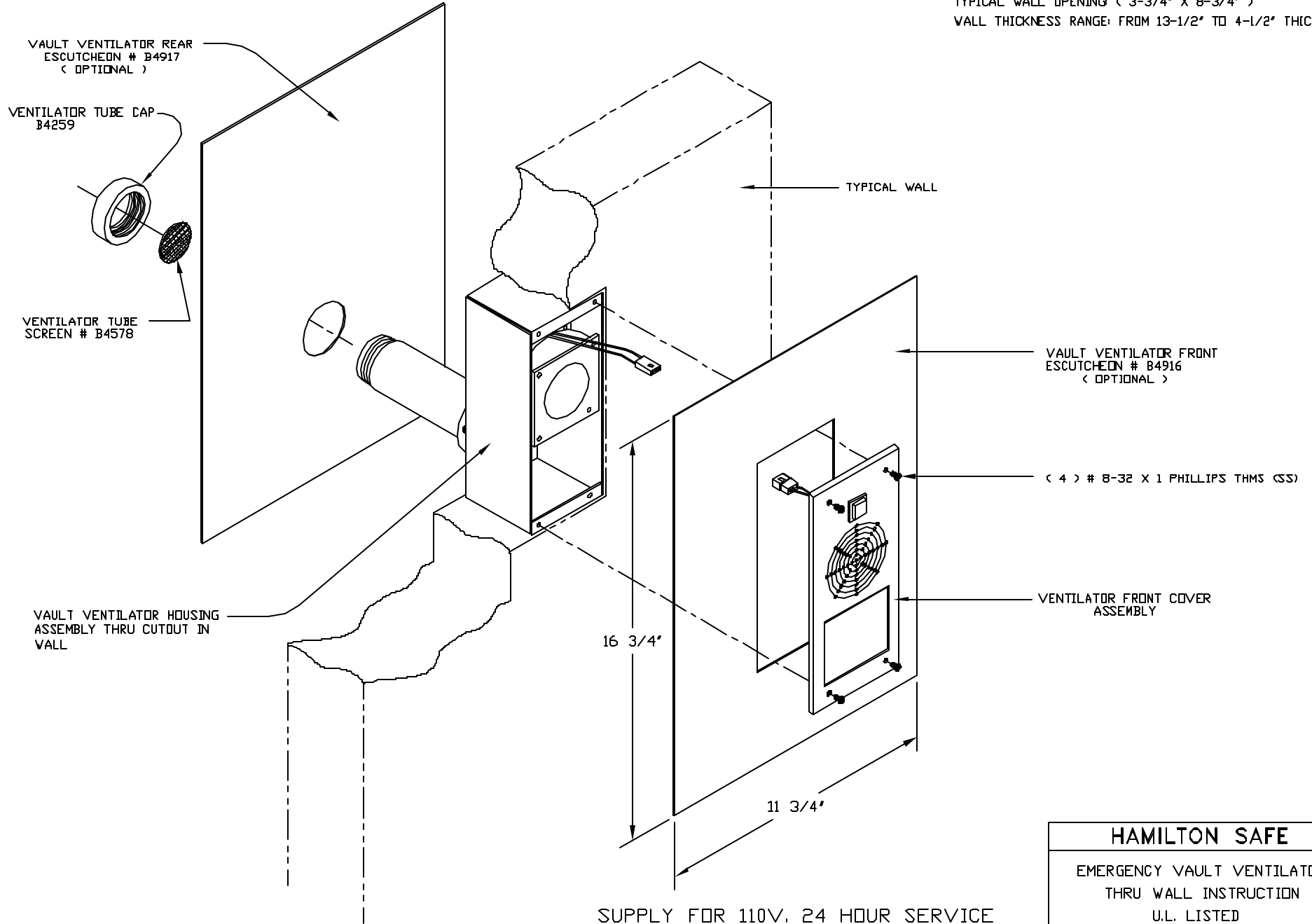


SUPPLY FOR 110V. 24 HOUR SERVICE
TO VENTILATOR.

Rev - 1	
Rev - 2	

TYPICAL WALL OPENING (3-3/4' X 8-3/4')
WALL THICKNESS RANGE: FROM 13-1/2" TO 4-1/2" THICK



SUPPLY FOR 110V. 24 HOUR SERVICE
TO VENTILATOR.

HAMILTON SAFE	
EMERGENCY VAULT VENTILATOR THRU WALL INSTRUCTION U.L. LISTED	
Drawing Number : 95-717	Date : 5/30/99