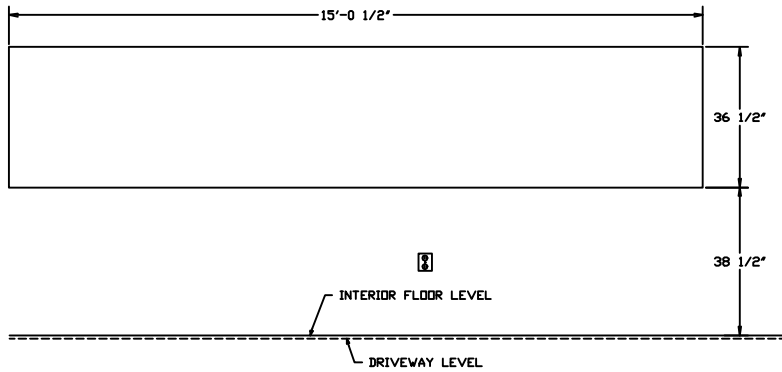
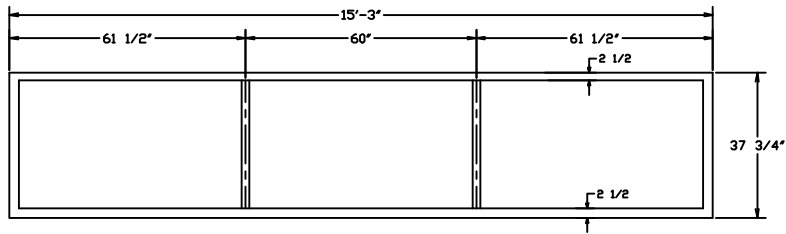


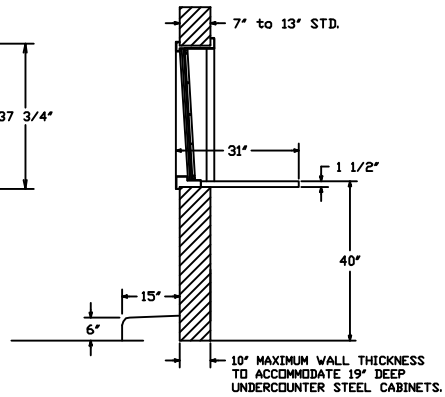
Rev - 1	
Rev - 2	



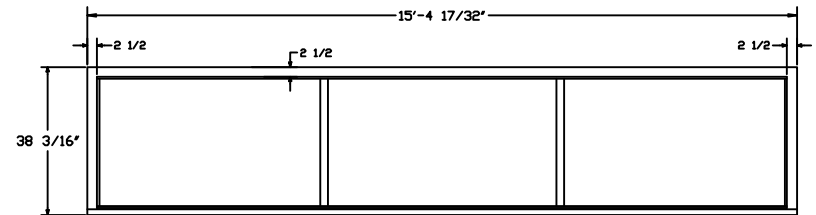
MASONRY OPENING - INTERIOR DETAIL



EXTERIOR ELEVATION



VERTICAL SECTION



INTERIOR ELEVATION

HAMILTON SAFE	
315V WINDOW U.L. LISTED	
Drawing Number : 95-704	Date : 9-15-99