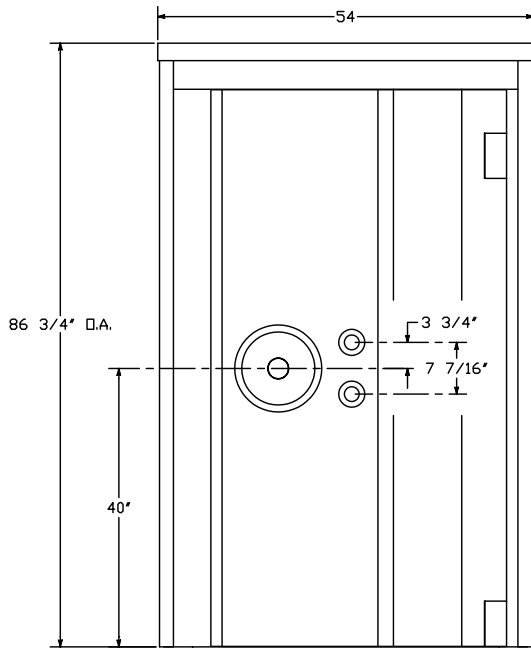
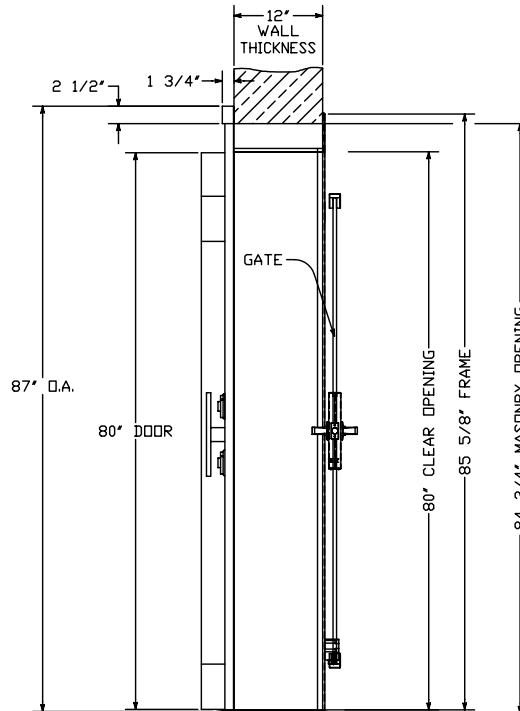


PLAN

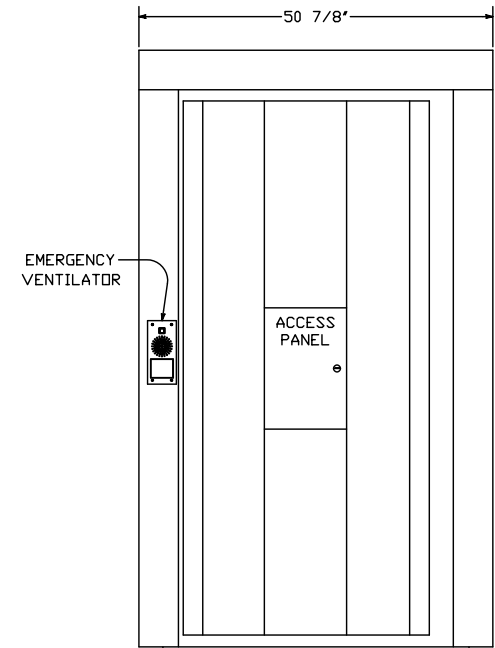
SEE DETAILS OF DAYGATE DRAWING NUMBER : 95-162



EXTERIOR ELEVATION



SECTION



INTERIOR ELEVATION

APPROXIMATE SHIPPING WEIGHT = 4,700 lbs

HAMILTON SAFE

DETAILS
 HAMILTON CLASS II VAULT DOOR
 RIGHT SWING U.L. LISTED

Drawing Number : 95-164 Date :12-14-94

NOTE

DOOR MUST BE GROUTED IN PLACE AFTER
 INSTALLATION BY GENERAL CONTRACTOR.