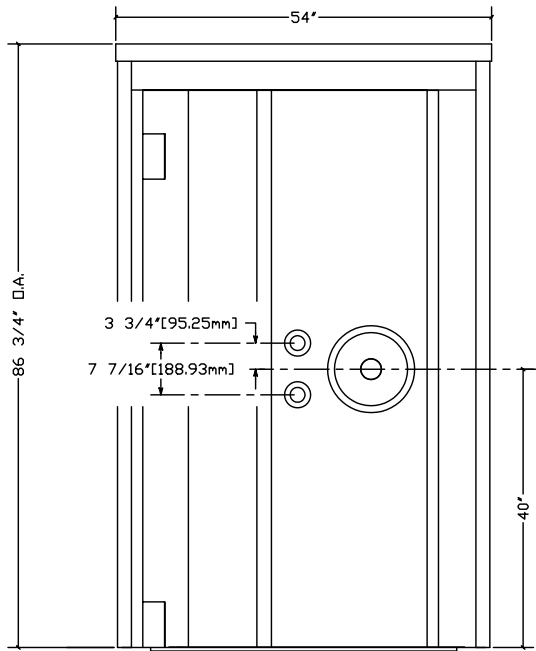
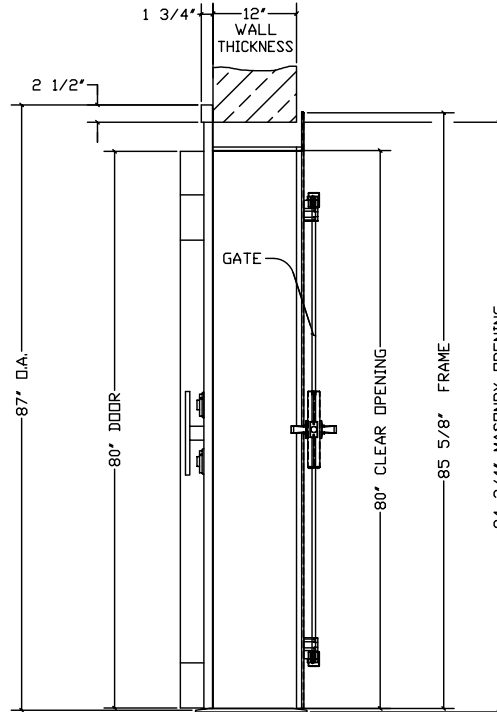


PLAN

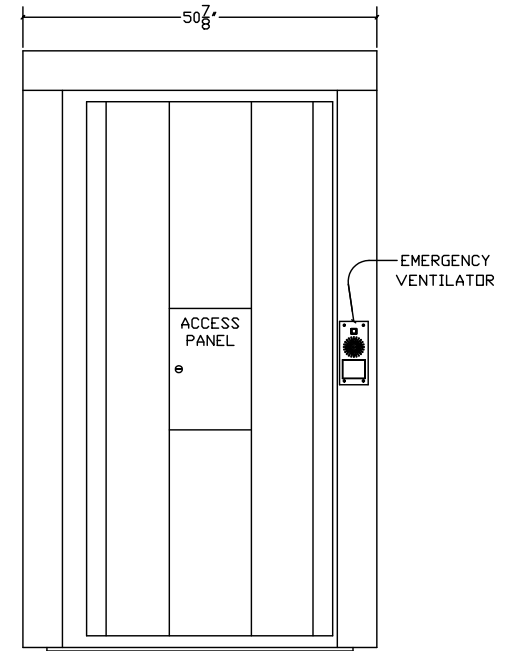
SEE DETAILS OF DAYGATE DRAWING NUMBER : 95-162



EXTERIOR ELEVATION



SECTION



INTERIOR ELEVATION

APPROXIMATE SHIPPING WEIGHT = 3,800 lbs

NOTE

DOOR MUST BE GROUTED IN PLACE AFTER INSTALLATION BY GENERAL CONTRACTOR.

HAMILTON SAFE

DETAILS  
 HAMILTON CLASS I VAULT DOOR  
 LEFT SWING U.L. LISTED

Drawing Number : 95-163

Date : 6-8-95