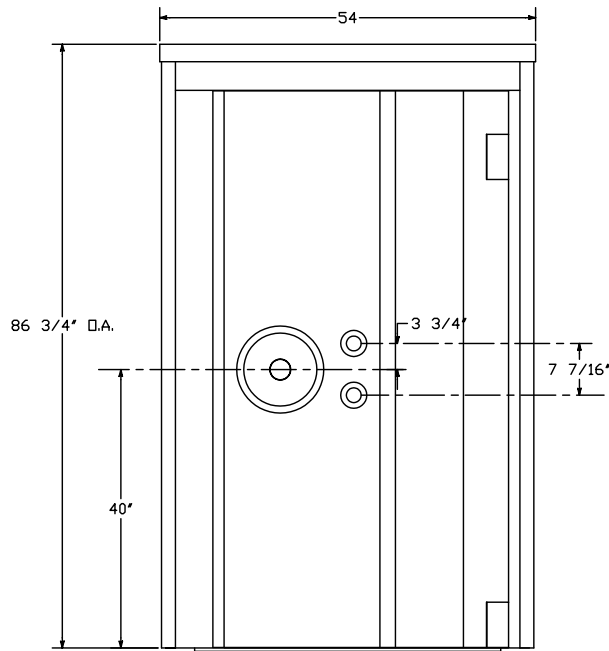
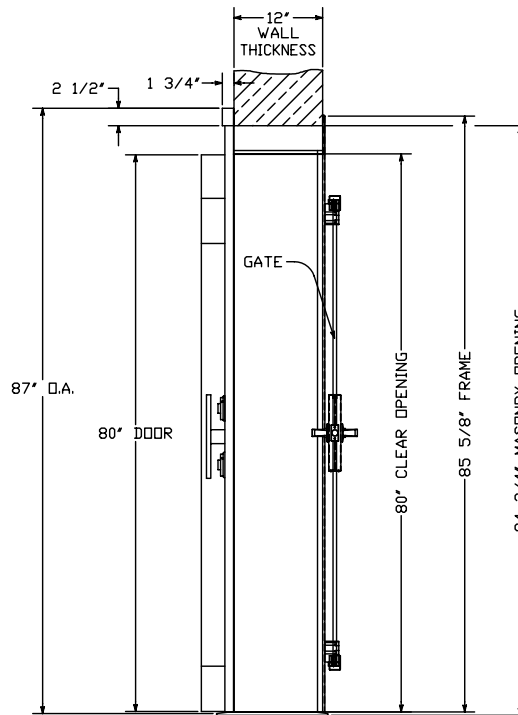


PLAN

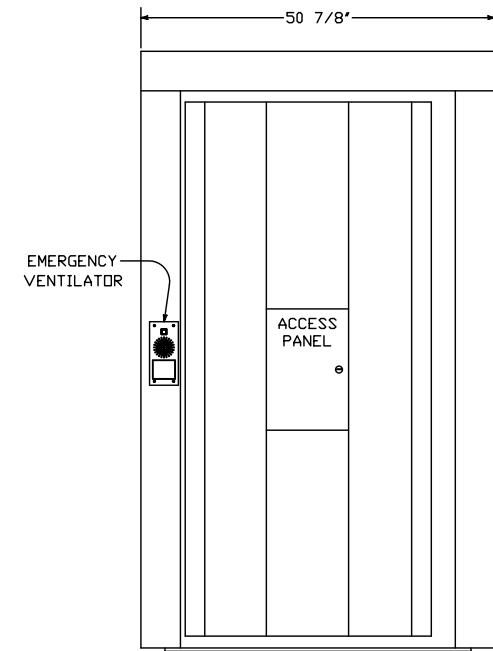
SEE DETAILS OF DAYGATE DRAWING NUMBER : 95-162



EXTERIOR ELEVATION



SECTION



INTERIOR ELEVATION

APPROXIMATE SHIPPING WEIGHT = 3,800 lbs

**HAMILTON SAFE**

DETAILS  
 HAMILTON CLASS I VAULT DOOR  
 RIGHT SWING U.L. LISTED

NOTE

DOOR MUST BE GROUTED IN PLACE AFTER  
 INSTALLATION BY GENERAL CONTRACTOR.