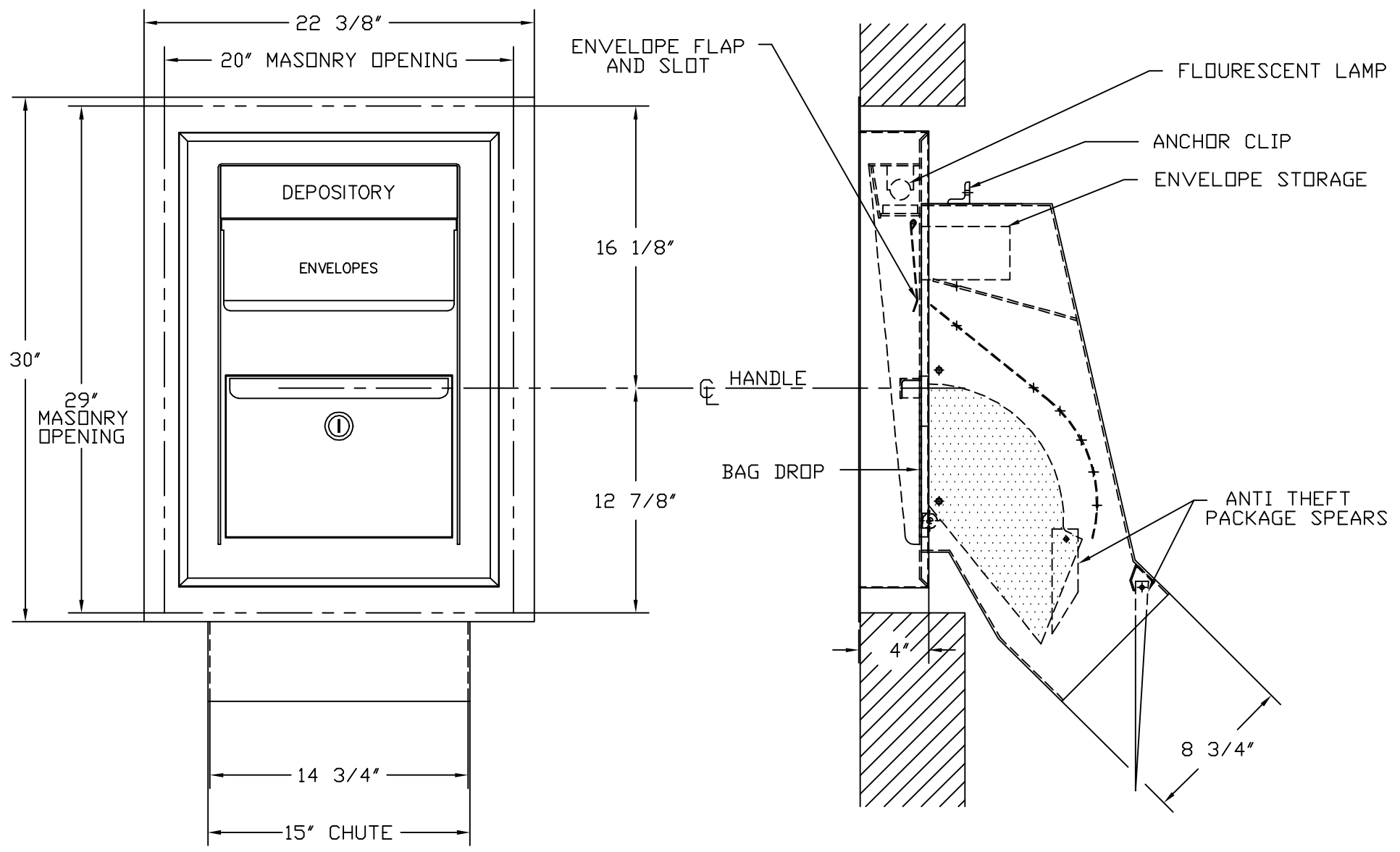


Rev - 1	
Rev - 2	



<b>HAMILTON SAFE</b>	
68-F COMBINATION NIGHT DEPOSITORY WITH RECESSED COLLAR	
Drawing Number : 95-125	Date : 6-13-94