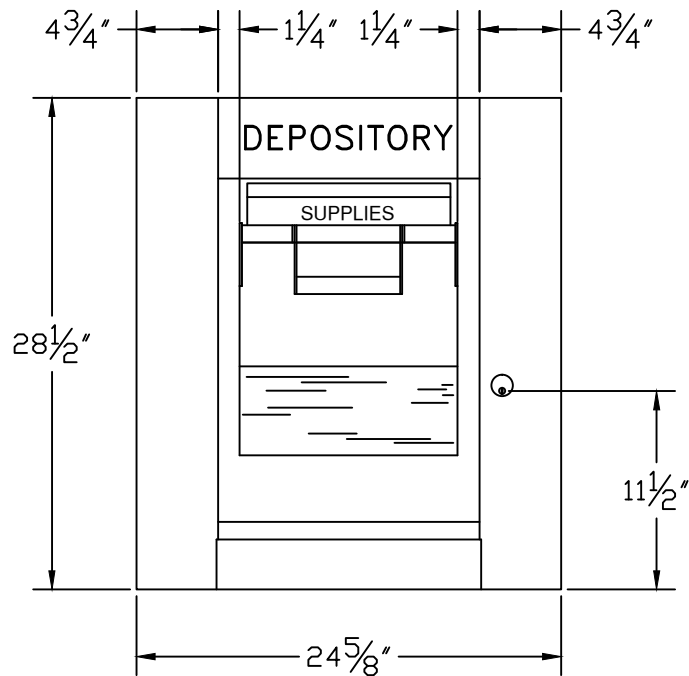
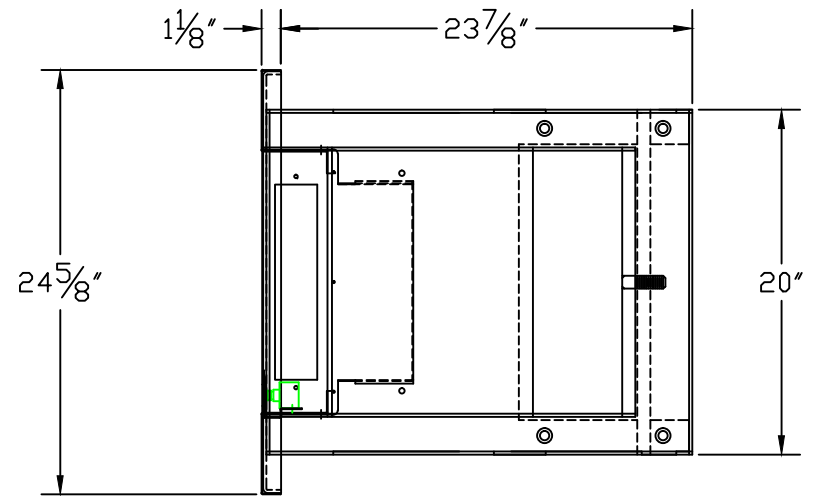
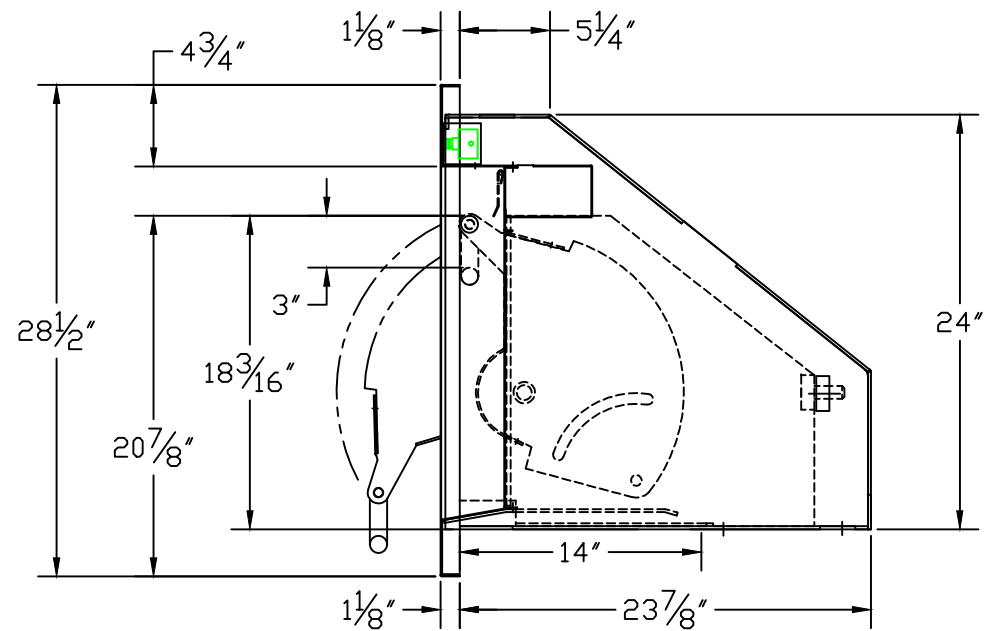


WALL OPENING



FRONT ELEVATION



SECTION

HAMILTON SAFE	
NIGHT DEPOSITORY DETAILS	
MODEL 80UC	
U.L. APPROVED	
Drawing Number : 92-647	Date : 5-4-93

REV.-1	DATE: 8-27-99	UPDATED DRAWING AND DIMENSIONS.
REV.-2	DATE: 5-10-12	UPDATED DRAWING AND DIMENSIONS.
REV.-3	DATE: 5-29-12	REVISED. ALL 80UC TO SAME M.D.