

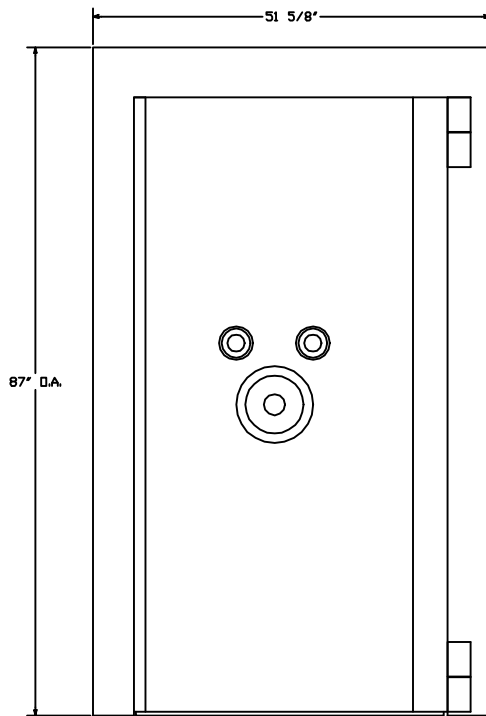
PLAN

EQUIPMENT

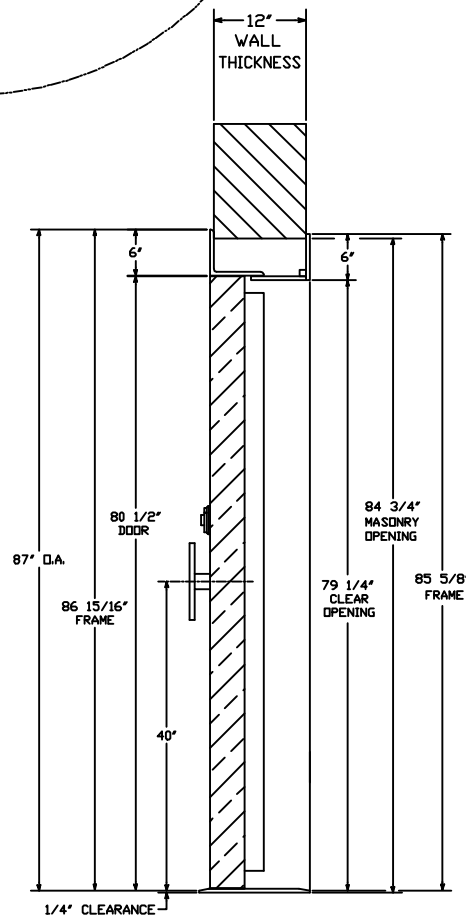
- 1.) FINISH : ALL STAINLESS STEEL INTERIOR & EXTERIOR
- 2.) LOCKS : TWO EACH S&G U.L. LISTED GROUP II COMBO LOCKS
- 3.) WALL THICKNESS : SETUP FOR STANDARD 12"

OPTIONAL EQUIPMENT AVAILABLE

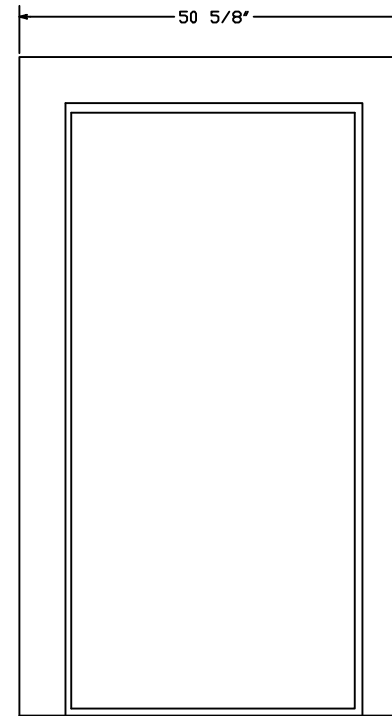
- 1.) TWO OR THREE MOVEMENT TIMELOCK
- 2.) STANDARD ACRYLIC OR GRILL TYPE DAYGATE
- 3.) EMERGENCY VENTILATOR



EXTERIOR ELEVATION



SECTION



INTERIOR ELEVATION

NOTE

DOOR MUST BE GROUTED IN PLACE AFTER INSTALLATION BY GENERAL CONTRACTOR.

APPROXIMATE SHIPPING WEIGHT = 2,300 lbs

HAMILTON SAFE	
DETAILS	
HAMILTON CLASS M VAULT DOOR	
RIGHT SWING	U.L. LISTED
Drawing Number : 92-500	Date : 2-4-92