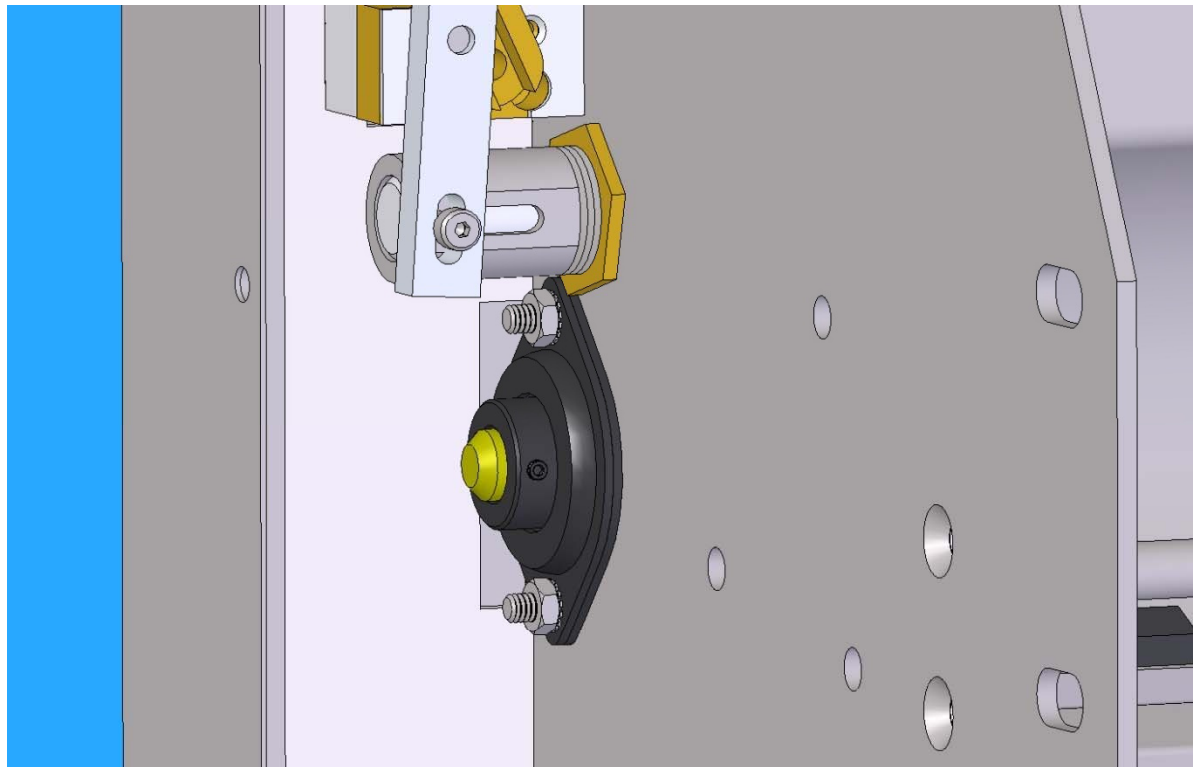
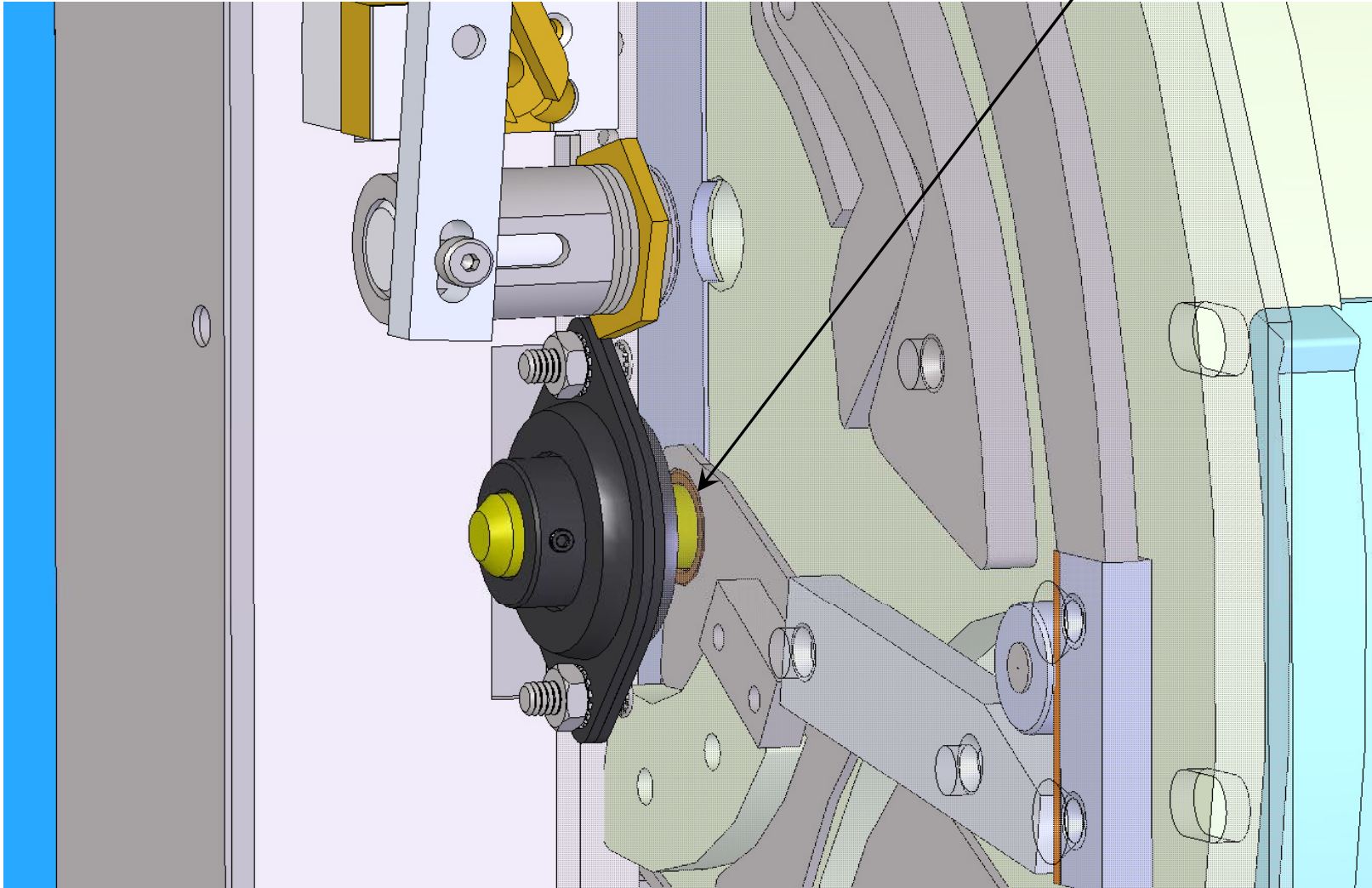


**98RH NIGHT DEPOSITORY BRONZE BUSHING REINSTALL
IN THE FIELD INSTALLATION INSTRUCTIONS**

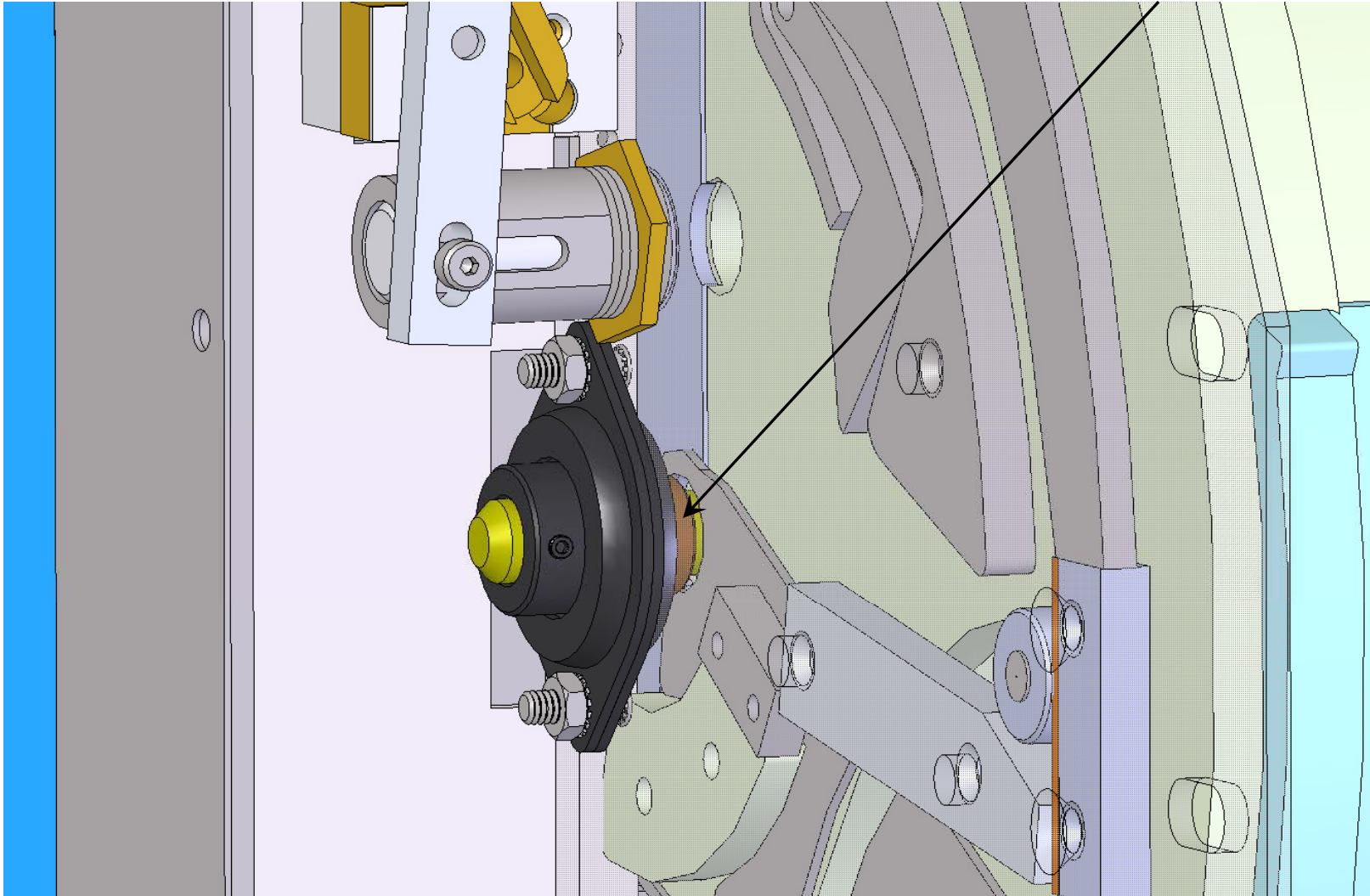
- Position from factory



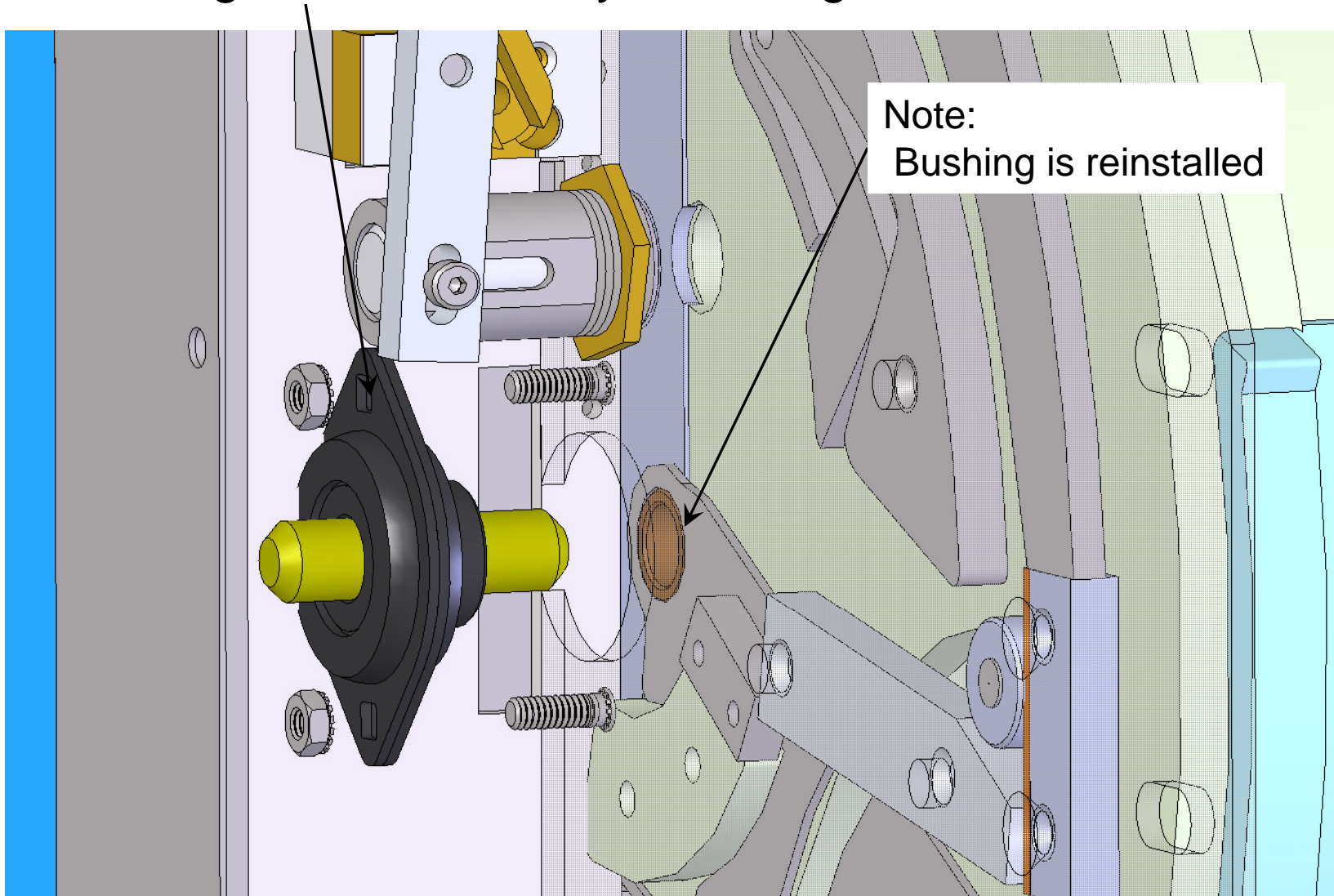
- Side shown Transparent to see the bushing



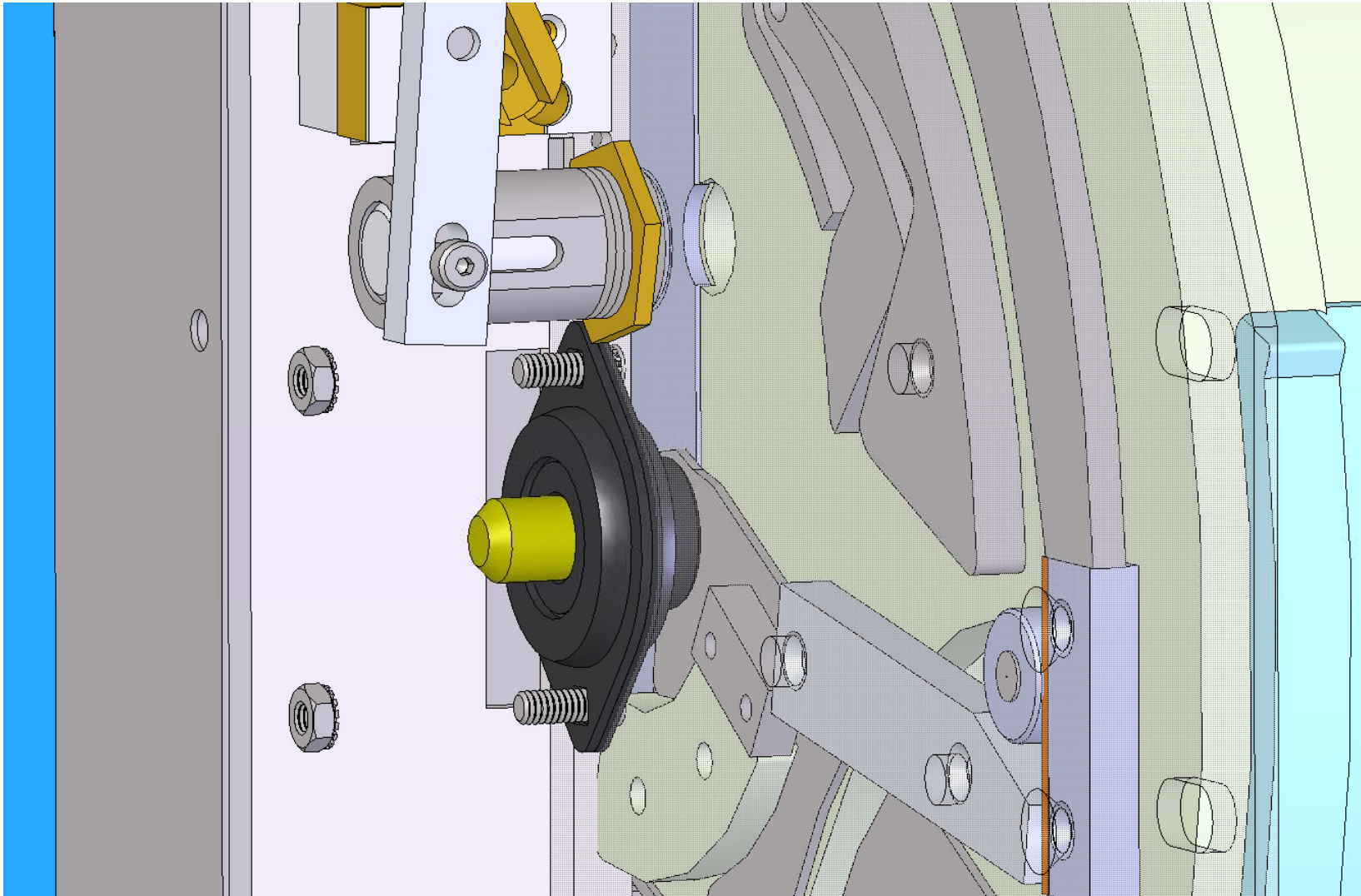
- See that bushing is loose from original position
- Reinstall bushing into bucket and use permanent Loctite



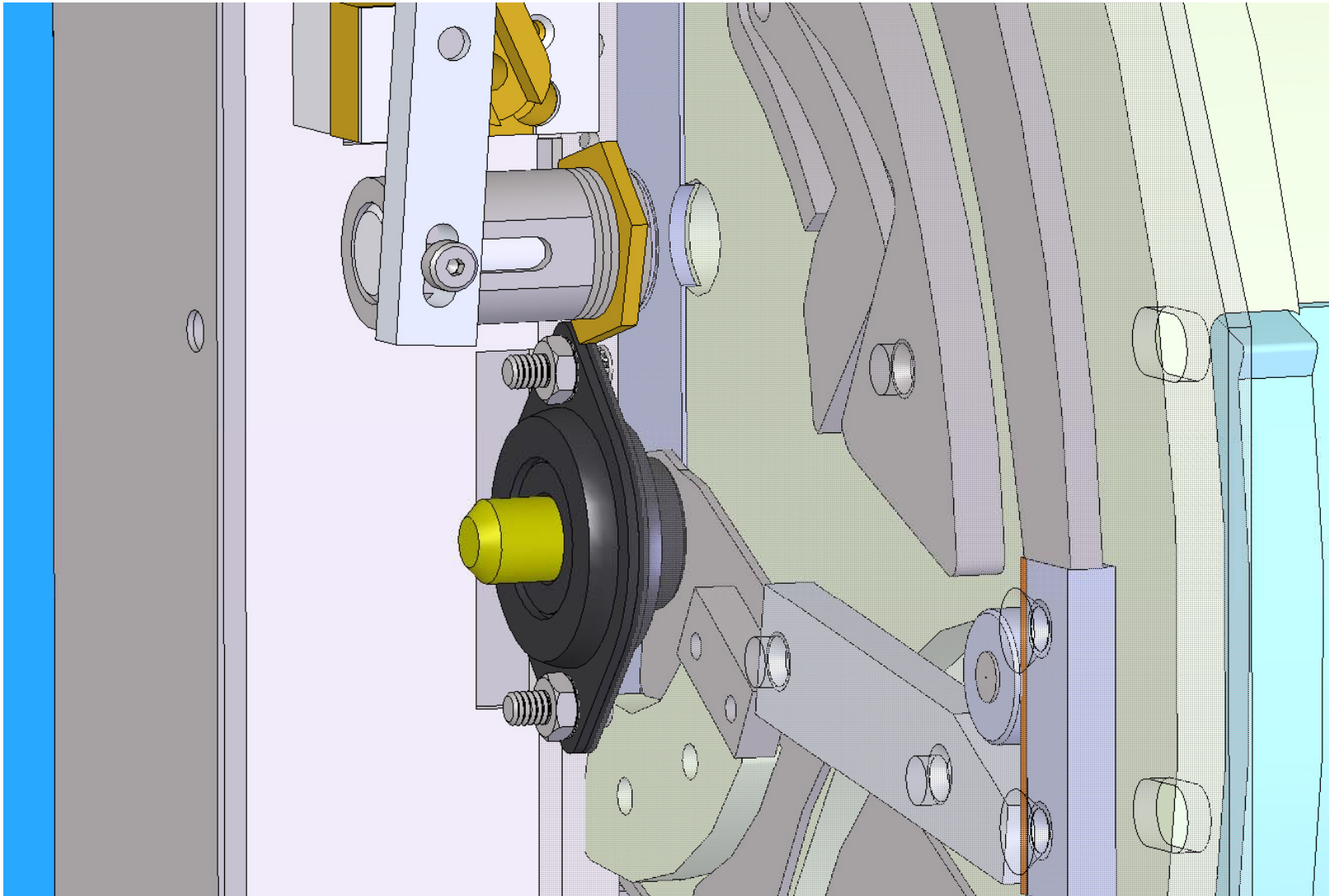
- Turn bearing over reinsert, slide pin in until it bottoms out
- Mark pin, remove, and slide pin back to the mark while bearing is removed so you can tighten set screws easily.



- Reinsert bearing opposite from the way it came out bearing collar toward bushing **Note: Pin set screws should already be tight before reinserting**



- Tighten nuts



- Should look like this when finished

