

Remote Customer Audio Console (5570)

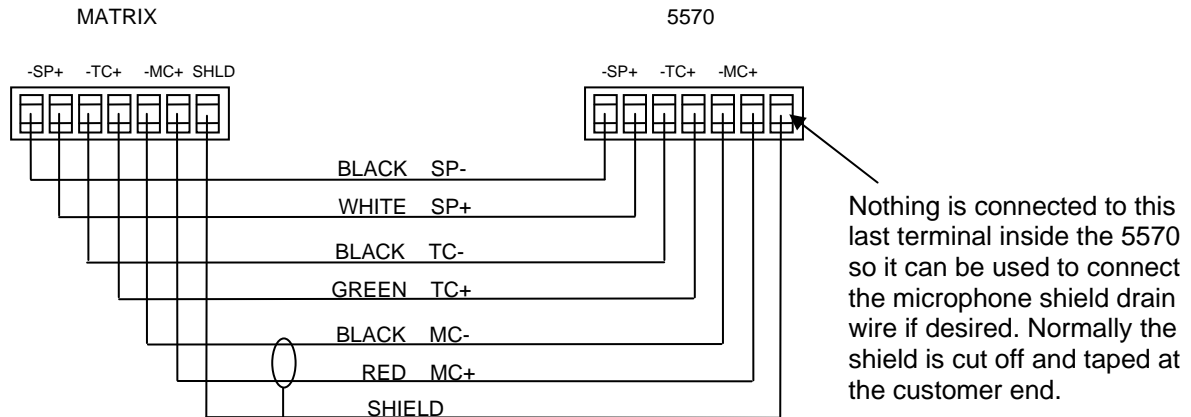
DESCRIPTION: The 5570 Remote Customer Audio Console consists of a speaker, microphone and call button in a desktop type enclosure for indoor applications. It is intended for use with standard audio cable and can be used for cable lengths up to approximately 180 feet. No remote power is required for the 5570. *See the 5571 Cat 5 Remote Customer Audio Console for the Cat 5 cable version of this product. The 5571 allows for cable runs up to 1000 feet with Cat 5 cable but requires a 110VAC outlet near the remote location for the remote power supply.*

The Remote Customer Audio Console can use the same mounting options as the 5501 Teller Console. See the 5501-HWB (Horizontal Wall Bracket), the 5501-VWB (Vertical Wall Bracket) and the B6077 (Adjustable Desktop Stand) for mounting flexibility. (See the back of this document.)

COMPATIBILITY: The Remote Customer Audio Console should only be used in systems that have 5501 or newer 5001 (rev. 5 or 3.1) teller consoles. Also feature switch #7 on the audio matrix must be set to the UP position (dynamic echo canceller learning). Avoid using 4001, 4101 or 3001 teller consoles which will result in excessive teller echo. 3301 teller consoles may be acceptable if the volume levels are not too loud.

INSTALLATION: The 5570 Remote Customer Audio Console contains a speaker, microphone and call button. Make connections with E0680 audio cable between the audio matrix and the rear of the 5570. A raised tab is provided on the rear of the 5570 to accept a tie-wrap for cable strain relief if desired. (See the back of this document.)

The pinout for the cable connector on the 5570 is identical to the pinout for the lane connector on the audio matrix (see below).

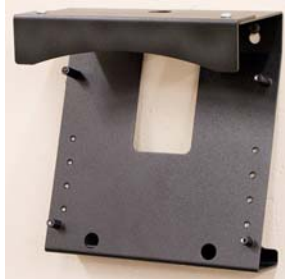




5501-HWB
Horizontal Wall Bracket



5570 Mounted to 5501-HWB



5501-VWB
Vertical Wall Bracket



5570 Mounted to 5501-VWB



B6077
Adjustable Desktop Stand



5570 Mounted to B6077



Rear of 5570 (with audio cable connected)