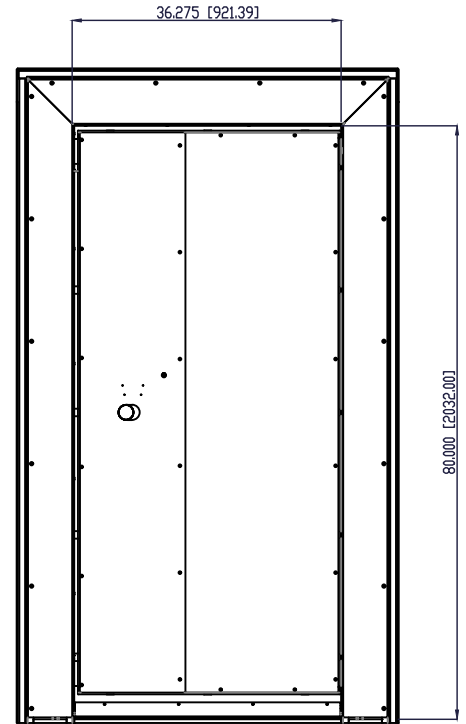
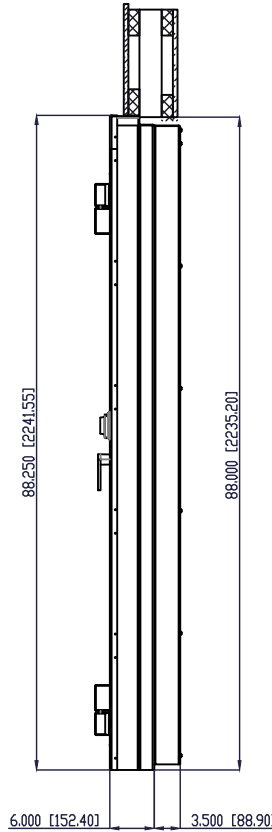
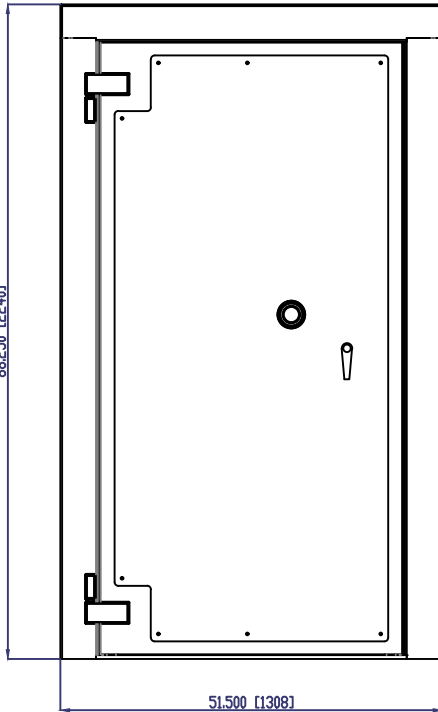
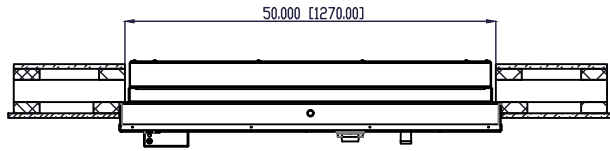


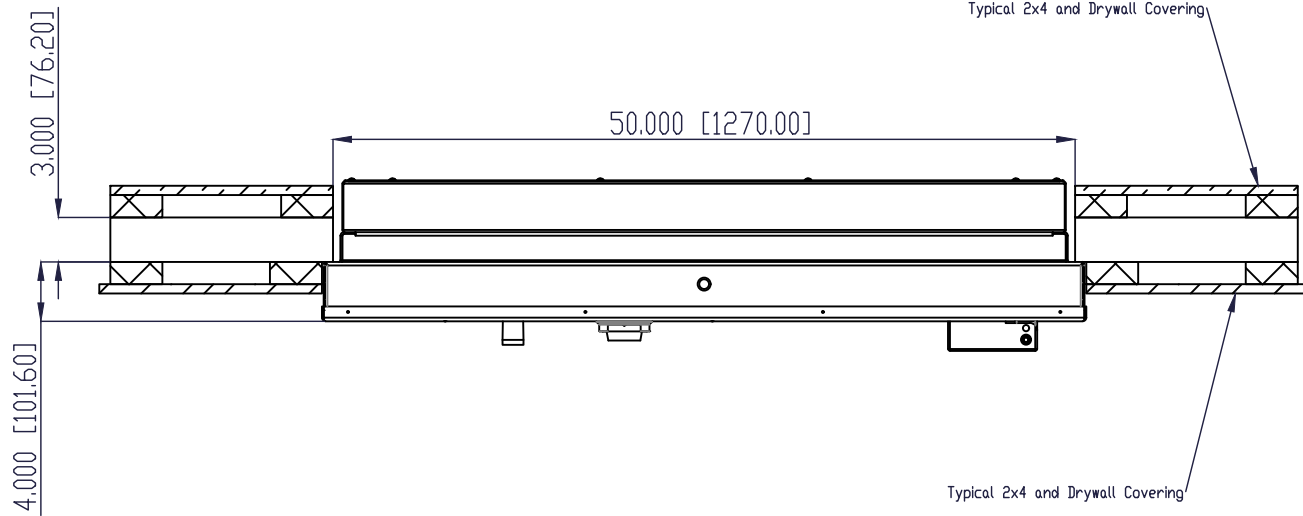
<h1>HAMILTON</h1> <p>BY GUINNESS</p>	PROPRIETARY AND CONFIDENTIAL THESE DRAWINGS ARE THE PROPERTY OF HAMILTON SAFE CO. AND SHALL NOT BE REPRODUCED, COPIED, USED AS THE BASIS FOR MANUFACTURE OR SALE OF APPARATUS WITHOUT PERMISSION		TITLE Hyde Park Vault Door, UL Class M, Right Swing	
	DRAWN BY BJDet		PART NUMBER VDUL-M RS DATE CHECKED BY 5/26/2022	
			DATE	REVISION



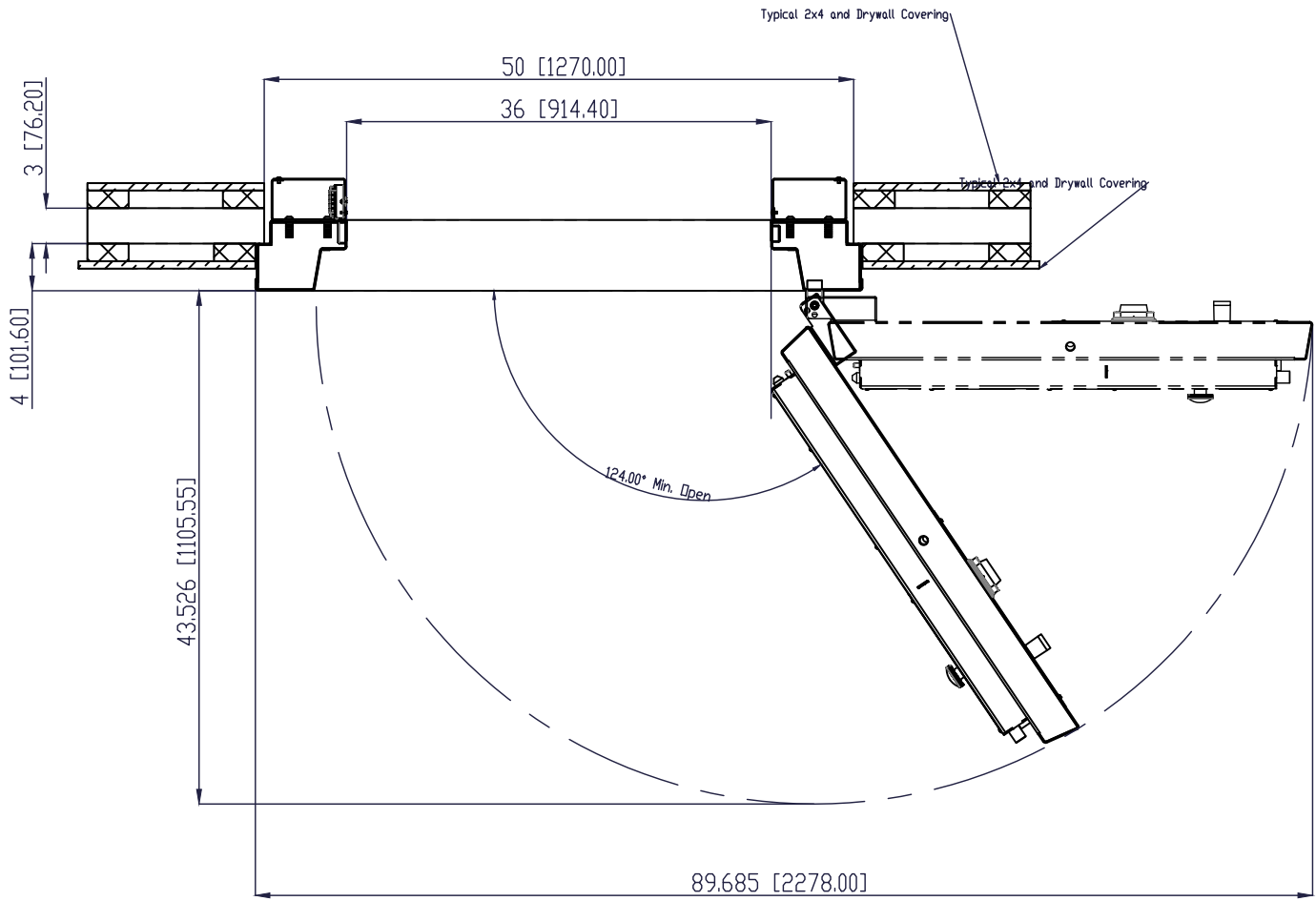
HAMILTON
BY **GUNNEBO**

PROPRIETARY AND CONFIDENTIAL
THESE DRAWINGS ARE THE PROPERTY
OF HAMILTON SAFE CO. AND SHALL
NOT BE REPRODUCED, COPIED, USED
AS THE BASIS FOR MANUFACTURE OR
SALE OF APPARATUS WITHOUT
PERMISSION

TITLE			
Hyde Park Vault Door, UL Class M, Left Swing			
PART NUMBER			
VDUL-M LS			
DRAWN BY	DATE CHECKED BY	DATE	REVISION
BDet	5/26/2022		



	<small>PROPRIETARY AND CONFIDENTIAL THESE DRAWINGS ARE THE PROPERTY OF HAMILTON SAFE CO. AND SHALL NOT BE REPRODUCED, COPIED, USED AS THE BASIS FOR MANUFACTURE OR SALE OF APPARATUS WITHOUT PERMISSION</small>		<small>TITLE</small> Hyde Park Vault Door, UL Class M Detail	
			<small>PART NUMBER</small> VDUL-M	
	<small>DRAWN BY</small> BRDet	<small>DATE</small> 5/26/2022	<small>CHECKED BY</small> 	<small>DATE</small>



HAMILTON
By **GUNNEBO**

PROPRIETARY AND CONFIDENTIAL
THESE DRAWINGS ARE THE PROPERTY
OF HAMILTON SAFE CO. AND SHALL
NOT BE REPRODUCED, COPIED, USED
AS THE BASIS FOR MANUFACTURE OR
SALE OF APPARATUS WITHOUT
PERMISSION

TITLE			
Hyde Park Vault Door, UL Class M Detail			
PART NUMBER			
VDUL-M			
DRAWN BY	DATE CHECKED BY	DATE	REVISION
BDet	5/26/2022		