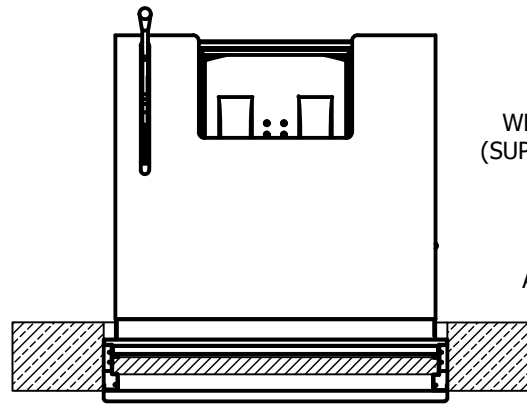
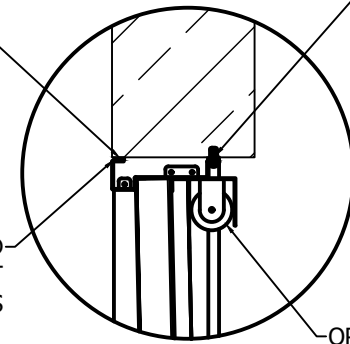


MASONRY OPENING INTERIOR



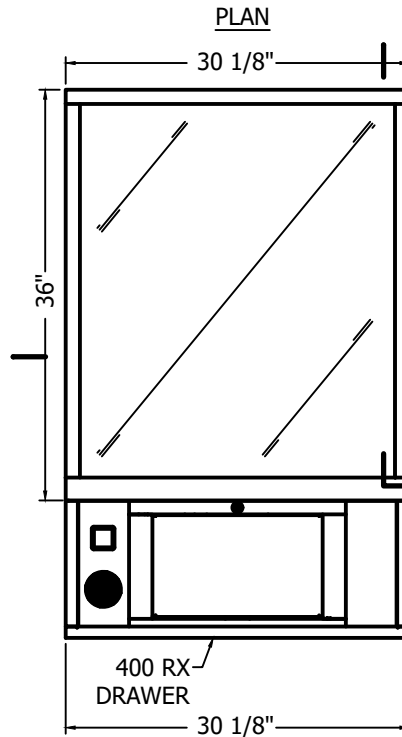
RECOMMENDED
1/8" X 1/2" FOAM
WEATHER STRIPPING
(SUPPLIED BY OTHERS)

CAULK AREA AROUND
ALL EDGES ON FRONT
AND REAR SIDES

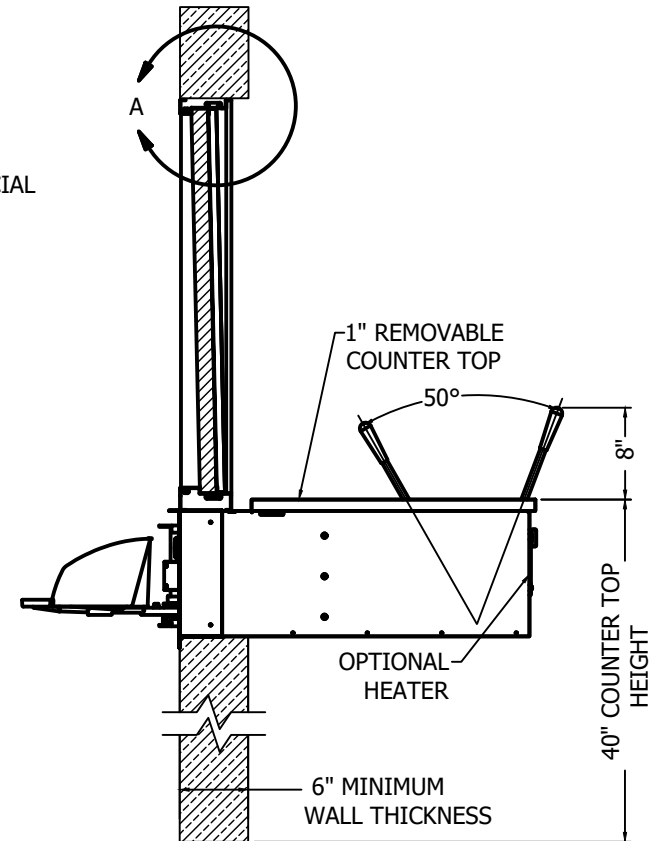


DETAIL A

OPTIONAL
WINDOW
SHADE



FRONT ELEVATION



SIDE ELEVATION

THESE DRAWINGS ARE THE PROPERTY OF HAMILTON SAFE CO. AND SHALL NOT BE REPRODUCED OR COPIED OR USED AS THE BASIS FOR MANUFACTURE OR SALE OF APPARATUS WITHOUT PERMISSION	HAMILTON		Hamilton Safe 7775 Cooper Rd. Cincinnati, Ohio 45242 Phone: (513)874-3733 www.hamiltonsafe.com	PAGE 1 OF 1
	TITLE 033DRX	DWG. 18-031	DATE 7/19/2017	