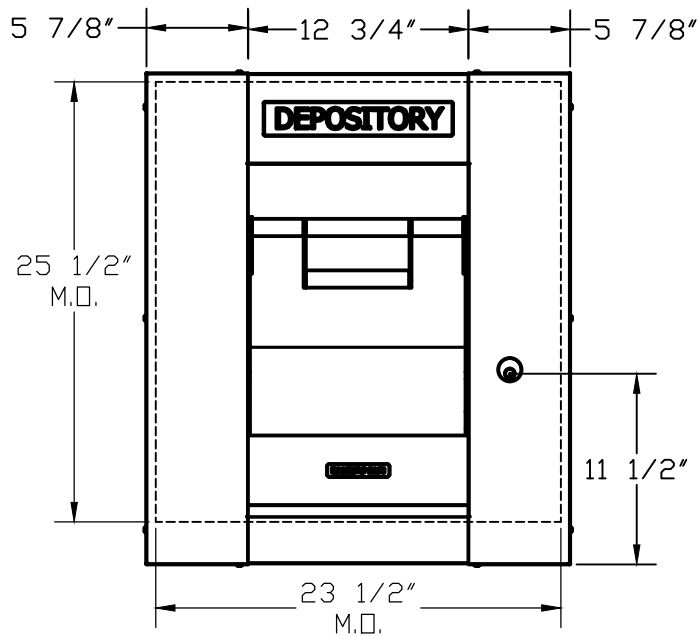
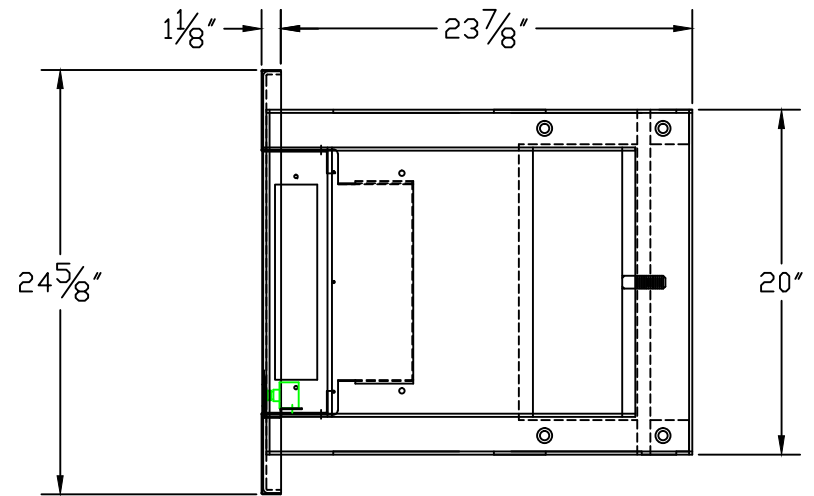
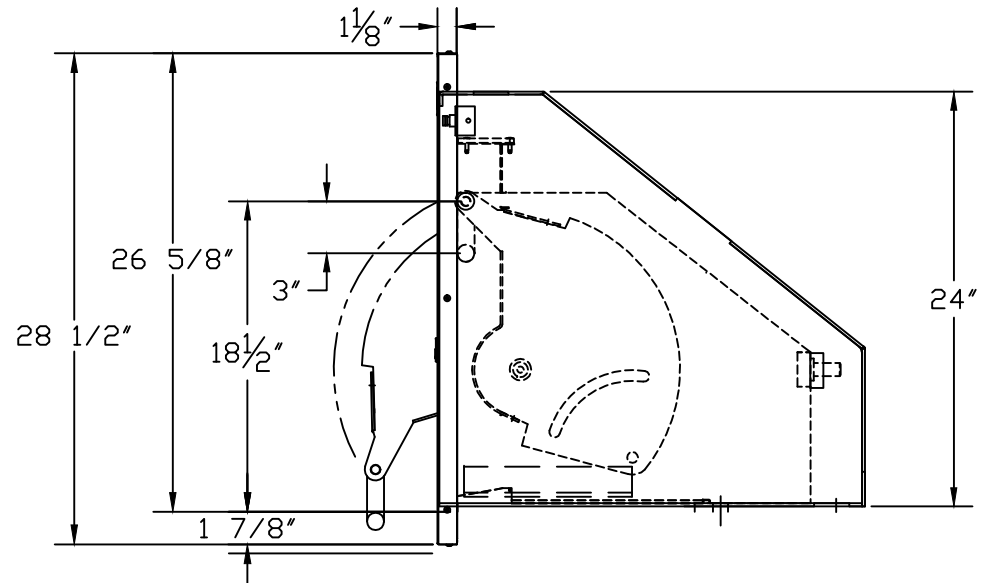


WALL OPENING



FRONT ELEVATION



SECTION

HAMILTON SAFE	
NIGHT DEPOSITORY DETAILS	
MODEL 80UC	
U.L. APPROVED	
Drawing Number : 15-016	Date : 5-4-93

REV.-1	DATE:	
REV.-2	DATE:	
REV.-3	DATE:	