

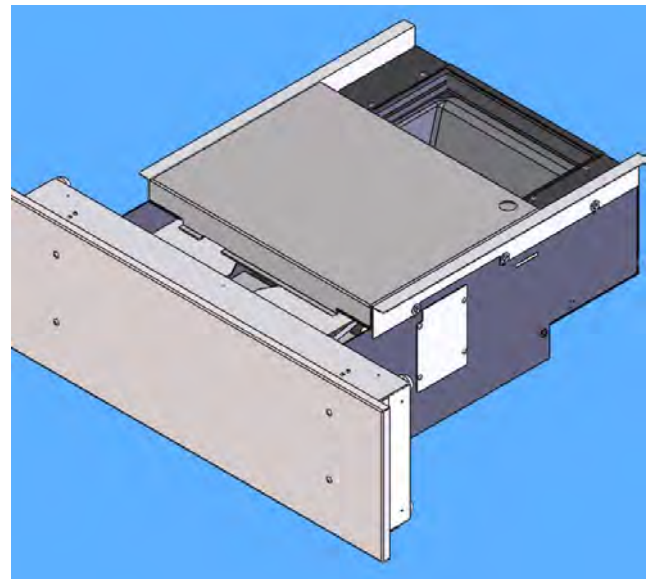
Decommissioning 400DD Cover

When banks close, they may want a way to protect the existing deal drawer. Hamilton has their SIMPLE solution.

- *Stainless Steel*
- *Simple installation: screws into four holes in the speaker cover so no need to drill anything.*
- *Easily removed if the bank decides to reopen by removing the cover and start using it again.*



Part # 400DD-DCOM-01



Rendering of the Decommissioning cover above