

QUICK TIPS

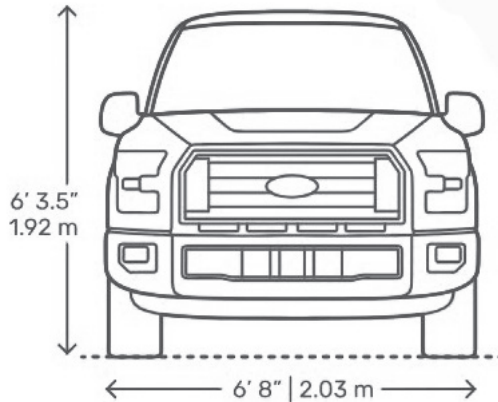
Designing a Drive-Up Lane Layout

Here are a few design tips that may help your specific need in assessing each site during the planning process. These recommendations are for informational purposes only. State and city requirements can vary significantly, so it is crucial to consult with your local municipality to ensure compliance with applicable legal regulations.

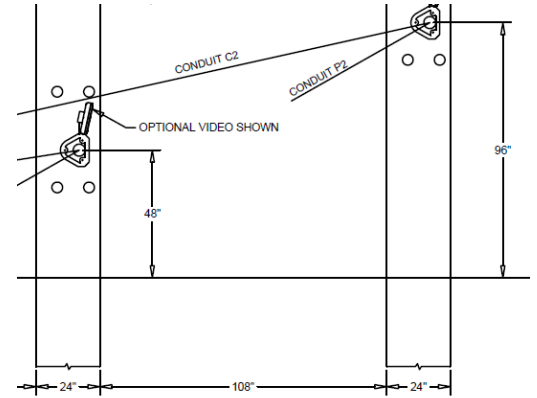
LANE WIDTH

8'-6" to 9'-0"
(102" to 108")

- Providing a larger width drive may increase the chance of customers exiting their vehicle.



Typical Truck Dimensions (F-150 Shown)

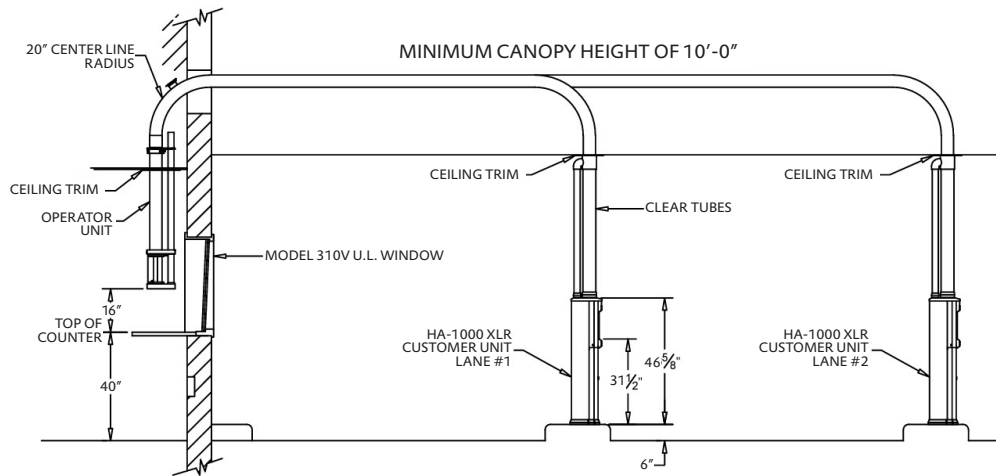


Plan - Showing Typical Lane Width

CANOPY HEIGHT

Minimum Canopy Height of 10'-0" (120").

- Providing a minimum of 10'-0" clearance allows for most trucks to pass safely.
- Height from the bottom of the clearance sign to the pavement.

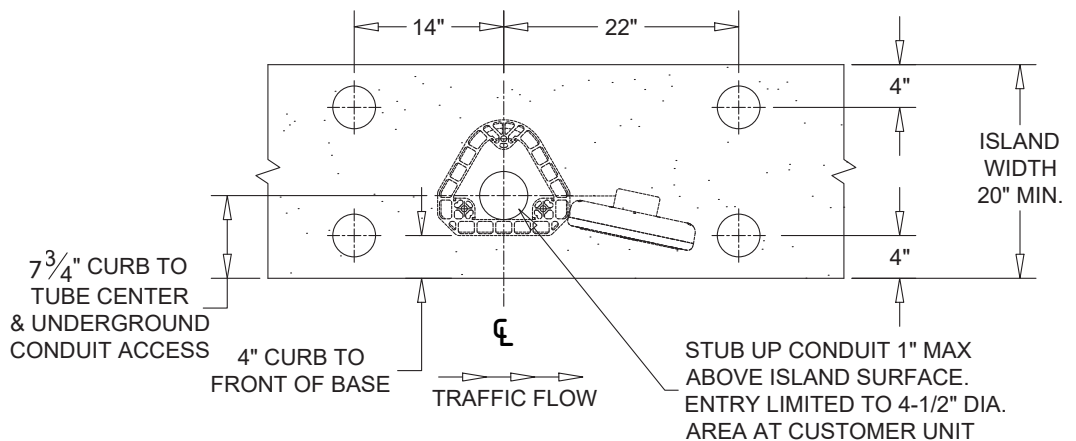


Section View Showing Canopy Height

ISLAND SIZE

Standard 24" to 42" island size recommendations:

- 24" for XLR Upsend (Min. 20").
- 24" for XLR Dowsend.
- 30" for HA-47.
- 36" for HA-33.
- 42" for ATM (Note: Size of ATM may change Island size).



XLR Upsend Island Detail

SIGNAGE

Signage for each lane helps direct traffic.

- Open/Closed.
- ATM lane.
- Truck lane.
- Commercial Lane.
- Clearance Heights.



BYPASS LANES

- Allow for a bypass lane.
- Make sure there is enough room for trucks to avoid hitting the canopy.



CAR STACK UP

- Leave room for at least a 2-3 car stack-up.
- Allow 20 ft. per car.
- Stacking 4-5 cars provides a more efficient design.
- Create good site lines - provide straight run with no sharp turns.



MARKETING

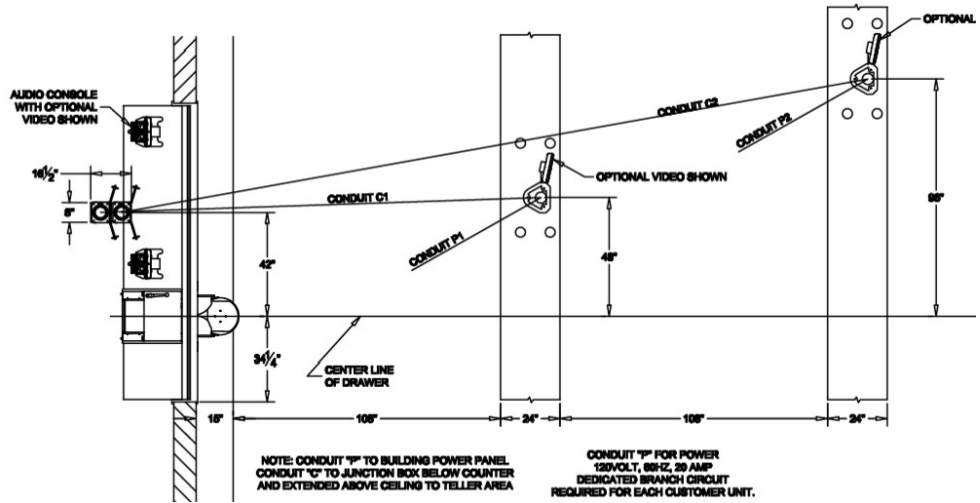
Consider your branch marketing in the drive-through lanes.

- Marketing Signage.
- Ads Through 2-Way TV.
- Optional LED light kits can match branded colors.



UNIT STAGGER

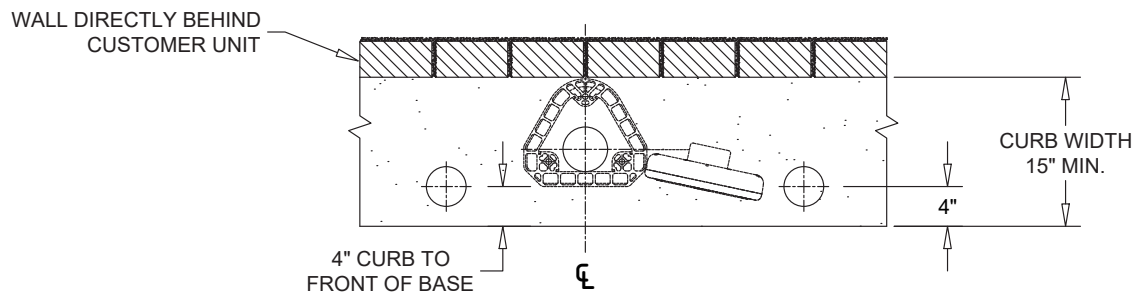
- Customer unit staggering recommendations.
- Stagger at least 4' (48") between each lane unless using two-way video for each lane.
- Consider two-way video to reduce canopy dimensions and cost.



XLR units shown staggered

CURB SIZE

- Curb height should be a min. of 6" high.
- Consider using a higher curb if the lane is asphalt.
- Resurfacing will add height over time.
- 15" deep if installing a deal drawer.
- 15" min. for XLR in first lane against wall.



XLR installed against the bank wall. Bollards are recommended to protect equipment from damage.

Note: The XLR is designed to be serviced in the front.

BEST PRACTICES

- Do not install other items in the lanes. Gutters, spigots, electric or gas meters, venting and landscaping, etc.
- If possible, have customers enter from the busier street and leave on the less busy street.
- Using concrete for the drive through lane rather than asphalt reduces the need for resurfacing.
- Use bollards around the drive-up units and around canopy columns.



Pictures showing a badly positioned gas meter placed between bollards, and a crunched gutter downspout.



Ingress should provide the ability for a customer to properly line up their car to the drive-up.

INTERIOR/TELLER BEST PRACTICES

Consider the Branch Teller's needs. Hamilton offers many teller options to provide the best fit and function.

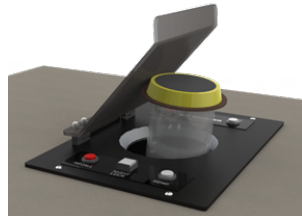
- Extended Length Teller
- Thru the Counter Teller
- Double Sided Teller
- Clear Tube To Teller
- Carrier Diverter
- Stabilizer Brackets
- Wall Mount Brackets



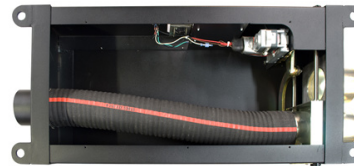
Stabilizer Bracket



Double Sided Teller



Counter Teller



Diverter



Wall mount bracket with clear tube

FIRST LANE PNEUMATIC

Systems can be installed in the first lane against the building to provide more lanes in less space.



A closer look the the Interactive Remote Teller



Interactive Teller installed in Lane 1



HA-1000 installed in Lane 1

- The XLR can be fully serviced from the front of the unit, allowing it to be placed fully against the branch wall.
- The Interactive Teller can be installed in the branch as a first lane option or in a kiosk placed remotely.



Manufacturers and providers of the latest in drive-up systems, modular vaults, vault doors, night depositories, physical security containers, alarm systems, safe deposit boxes and surveillance equipment.

1030 Round Bottom Road Milford, OH
45150 Phone: 513.874.3733

hamiltonsecuritysolutions.com