

# EARTH

BURGLARY PROTECTION FOR YOUR VALUABLES

## At a glance

- Suitable for the storage of valuables such as jewellery, cameras and other expensive items
- Certified by ECB•S (EN 14450) for S2 burglary protection
- Choice of key lock or electronic lock
- Body consists of two steel plates filled in between with a fire-retardant material
- Four sizes available – 15, 38, 54 and 76 litres
- One removable shelf as standard
- Interior LED light on electronic lock models

## Chubb safes Elements



Earth is part of the Chubb safes Elements family of safes for the home and office. To tie in with the Earth range, Chubb safes will make an annual donation to TREE AID to help fight poverty in Africa through the planting of trees.

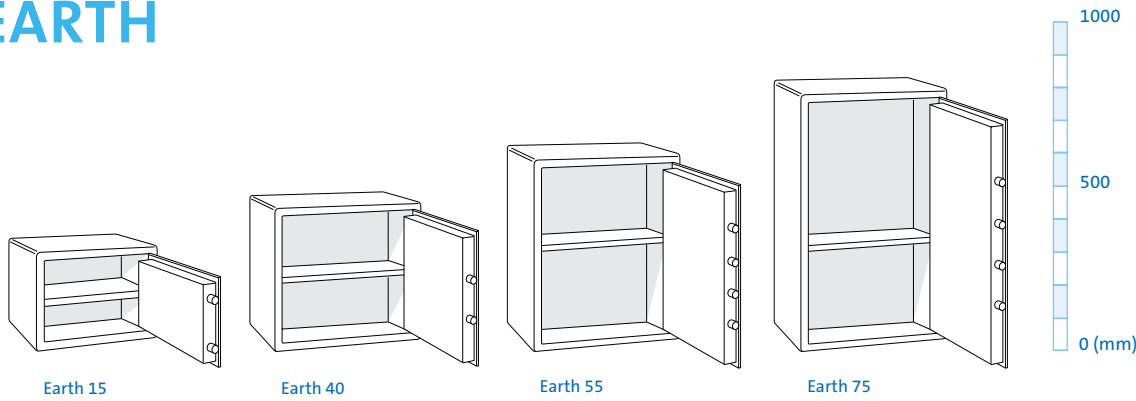
[www.chubb safeselements.com](http://www.chubb safeselements.com)



**Chubb safes**  
*Trusted the world over.*



# EARTH



Model	External (mm)			Internal (mm)			Volume (litres)	Weight (kg)	Lock Alternatives		Shelf
	Height	Width	Depth	Height	Width	Depth			Key	Electronic	
	Earth 15	300	370	350	210	280			250	15	
Earth 40	440	450	400	350	360	300	38	60	✓	✓	1
Earth 55	590	450	400	500	360	300	54	76	✓	✓	1
Earth 75	790	450	400	700	360	300	76	92	✓	✓	1

## Certification

### S2 Burglary Protection

The whole range has been certified by ECB•S in accordance with the EN 14450 standard for burglary protection to Level S2.



## Locks

Each model can be fitted with a key lock or an electronic lock. The key lock is certified by ECB•S according to EN 1300 Class A and the electronic lock is certified Class B.

### Key Lock

Operate by turning the key and pulling the door open.

### Electronic Lock

Enter your PIN code using the key pad and simply turn the handle to open the door. The door locks automatically again when shut and the handle is turned back to its original position. The lock can be programmed with your own six-digit PIN code.

## Interior Fittings

### Shelf

One removable shelf standard with all models. More can be added.

### Lighting

Electronic locking models have an integrated LED light which turns on when the safe door opens.

## Construction

### Boltwork

The door is secured by 25mm-diameter bolts. The boltwork is further protected by manganese steel anti-drilling plates.

### Door & Body

Door is made of 8mm-thick steel and body of 3mm-thick steel. The body is a double-wall construction using both 3mm and 2mm steel. The space in between is filled with a fire-retardant material.

Authorised dealer: