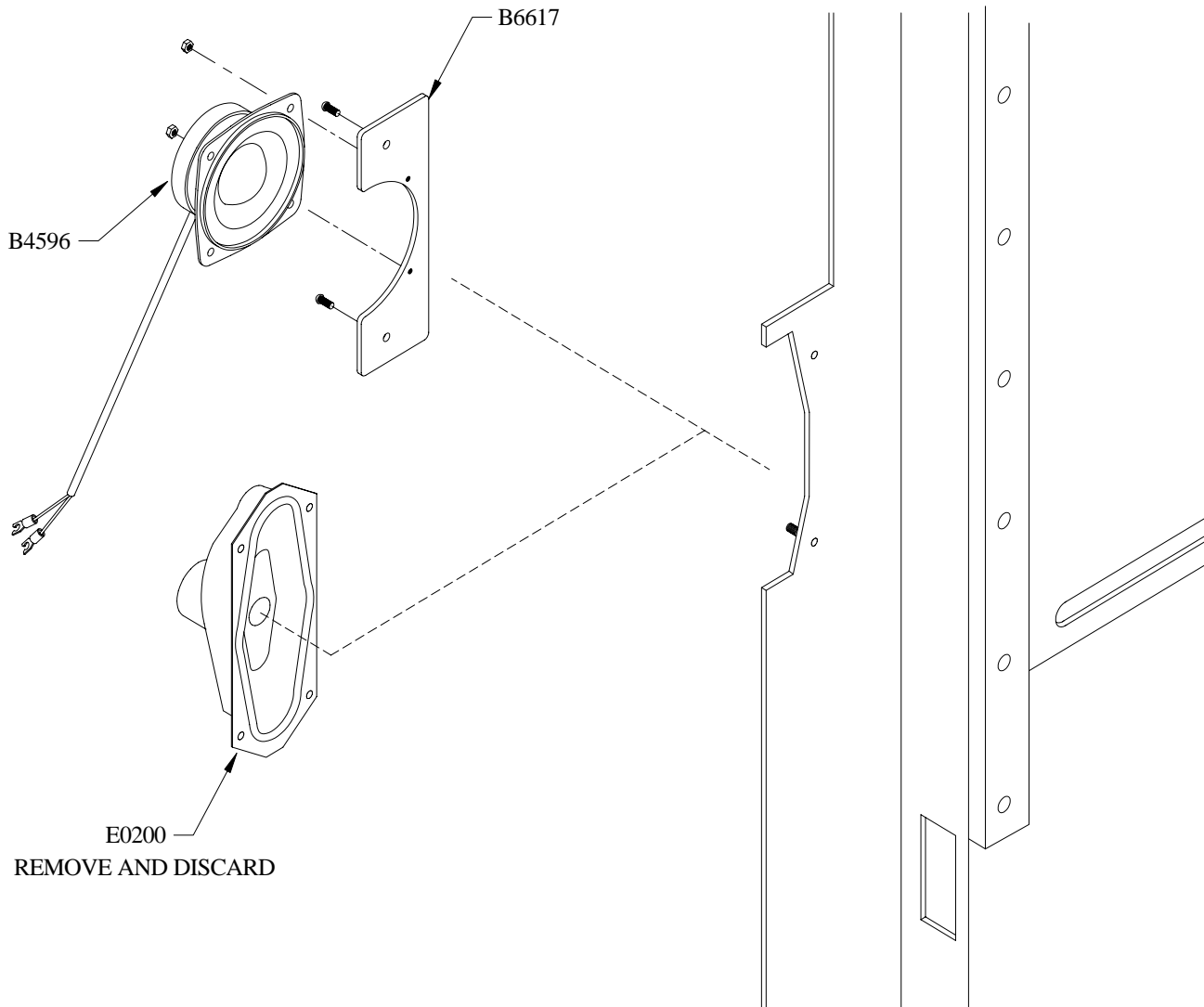


HAMILTON

3143 Production Drive • Fairfield, Ohio 45014 • 513-874-3733

KIT #E0808 HA1000 2 X 6 SPEAKER REPLACEMENT KIT INSTRUCTION SHEET



- Disconnect speaker wires from TSA #11 and #12 on the control board.
- Remove original speaker and wire and discard.
- Attach replacement speaker to bracket (supplied) with 2, 6-32 nuts (also supplied).
- Attach replacement speaker and bracket to existing holes from original speaker mounting points.
- Attach wires from replacement speaker to control box TSA #11 and #12 (making sure that they are clear of any moving parts using wire ties where necessary).

Kit Includes:

- 1 – (B4596) 3" Round Speaker / with wiring
- 1 – (B6617) Speaker mounting bracket
- 2 – (H0157) 6-32 Nuts
- 4 – Wire ties