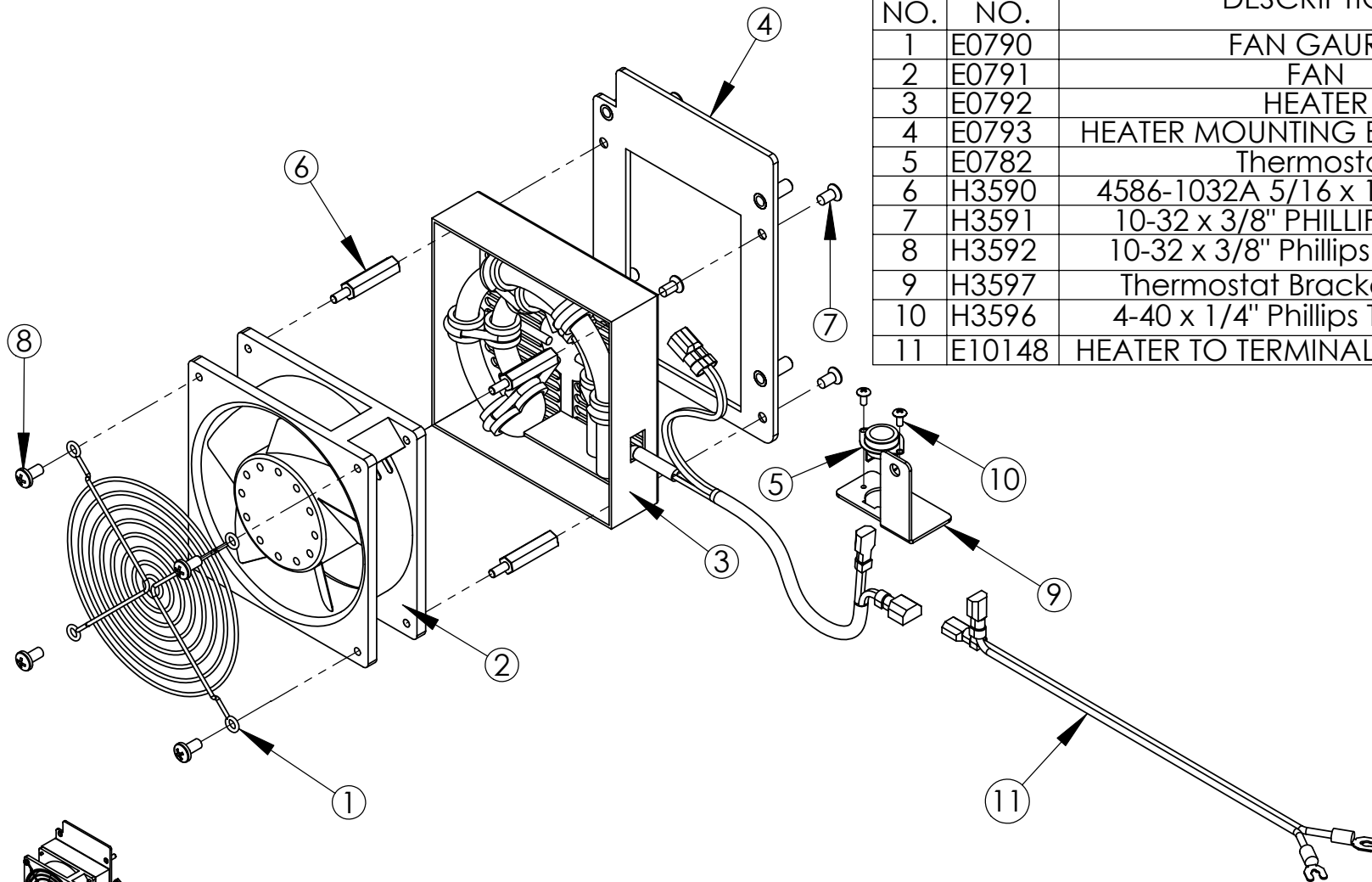


ITEM NO.	PART NO.	DESCRIPTION	QTY.
1	E0790	FAN GAURD	1
2	E0791	FAN	1
3	E0792	HEATER	1
4	E0793	HEATER MOUNTING BRKT. DD-121	1
5	E0782	Thermostat	1
6	H3590	4586-1032A 5/16 x 1.2 Standoff	4
7	H3591	10-32 x 3/8" PHILLIPS FLAT HD	4
8	H3592	10-32 x 3/8" Phillips Pan Head	4
9	H3597	Thermostat Bracket DD-122	1
10	H3596	4-40 x 1/4" Phillips Truss Head	2
11	E10148	HEATER TO TERMINAL STRIP CABLE	1



**PROPRIETARY AND CONFIDENTIAL**  
 THE INFORMATION CONTAINED IN THIS DRAWING IS THE SOLE PROPERTY OF HAMILTON AIR COMPANY. ANY REPRODUCTION IN PART OR AS A WHOLE WITHOUT THE WRITTEN PERMISSION OF HAMILTON AIR COMPANY IS PROHIBITED.

		UNLESS OTHERWISE SPECIFIED:		NAME	DATE	HAMILTON AIR CO.		
		DIMENSIONS ARE IN INCHES TOLERANCES: FRACTIONAL ±.005 ANGULAR: MACH ± BEND ± TWO PLACE DECIMAL ± THREE PLACE DECIMAL ±	DRAWN	DPC	1-20-2011	TITLE:		
		INTERPRET GEOMETRIC TOLERANCING PER:	CHECKED			HEATER ASSEMBLY 400 DEAL DRAWER		
		MATERIAL	ENG APPR.			SIZE DWG. NO. REV		
NEXT ASSY	USED ON	FINISH	MFG APPR.			<b>A</b>	E0794	1
APPLICATION		DO NOT SCALE DRAWING	Q.A.			SCALE: STF		WEIGHT:
			COMMENTS:					SHEET 1 OF 1