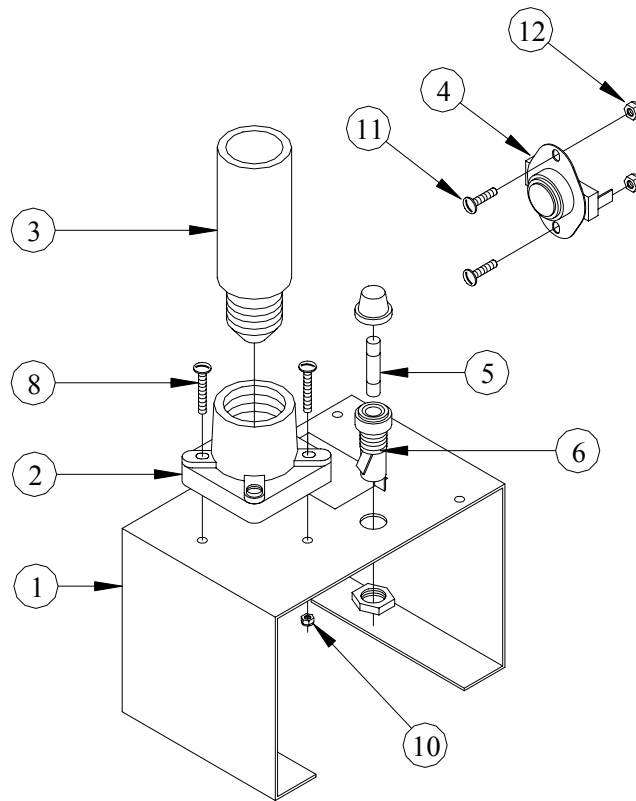


# HAMILTON AIR®

3143 Production Drive • Fairfield, Ohio 45014 • 513-874-3733

## B4405 Heater Kit for Model HA-1000

Ice and snow build-up in and on the HA1000 customer unit can impede the operation of the unit's mechanisms. Applying heat to the lower area of the unit helps to prevent freezing of these mechanisms. A 200 watt radiant style heater element is used to supply additional heat during freezing temperatures to help prevent operation failures due to ice and snow. The heater is controlled by a thermostat which turns on at 35 degrees (F) and off at 45 degrees (F). The heater kit is fully assembled and ready to install in the HA1000 customer unit. The heater is protected by a 5amp fuse while powered by the existing 120VAC circuit powering the HA1000 system.



REF	P/N	DESCRIPTION	QTY.
1	B3645	HA1000 HEATER MOUNTING BRACKET	1
2	E0701	EAGLE PORCELAIN RECEPTACLE #Q657	1
3	E0507	HEATER CORE ( CHROMALOX #SCB-200 )	1
4	E0961	THERMOSTAT	1
5	E0496	FUSE ( BUSS # ACG-5 ) 5 AMP	1
6	E0088	FUSE HOLDER ( LITTLE FUSE #342858 )	1
7	H0392	#8-32 X 3/8" PHILLIPS THMS ( SS )	2
8	H0148	#6-32 X 1" THMS ( PLATED )	2
9	H0189	#8-32 ESNA STOP NUT ( PLATED )	2
10	H0155	#6-32 ESNA STOP NUT ( PLATED )	2
11	H0397	8-32 x 3/8 MACHINE SCREW	2
12	H0399	8-32 HEX NUT	2