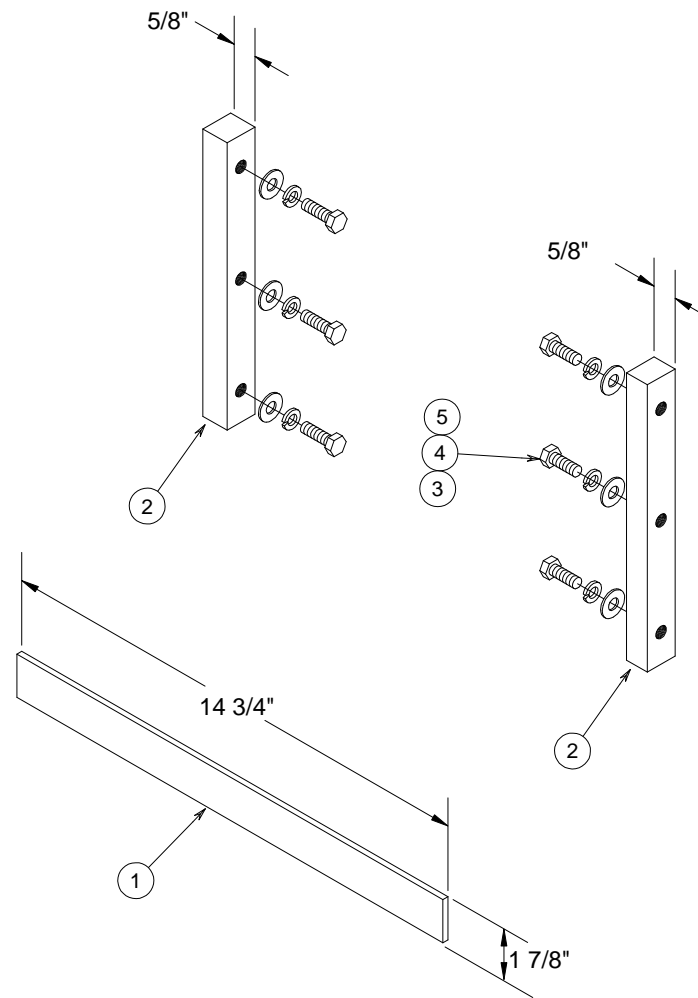


TRIM 98RH FRAME SIDES TO FIT
IN 68F HOUSING AS SHOWN



5	H0504	3/8-16 X 1 SHCS	6
4	H0294	3/8" SPLIT LOCKWASHER	6
3	H0293	3/8" FLATWASHER	6
2	B6380-4	MOUNTING BLOCK (5/8")	2
1	B6401-1	1 7/8" x 14 3/4" PLATE	1
REF.#	P/N	DESCRIPTION	QTY.

HAMILTON SAFE

SCALE:	MATERIAL:	DRAWN BY: T. STROOP
SCALE FACTOR:		SEND ALLOWANCE:

TITLE: 98RH to Hamilton 68F

TOLERANCES UNLESS OTHERWISE NOTED: FRACTIONS: + 1/64" DECIMALS: + .005 ANGLES: + 1/2"	DATE: 9/8/11	DRAWING NUMBER: 99-469	REVISION:
--	--------------	------------------------	-----------