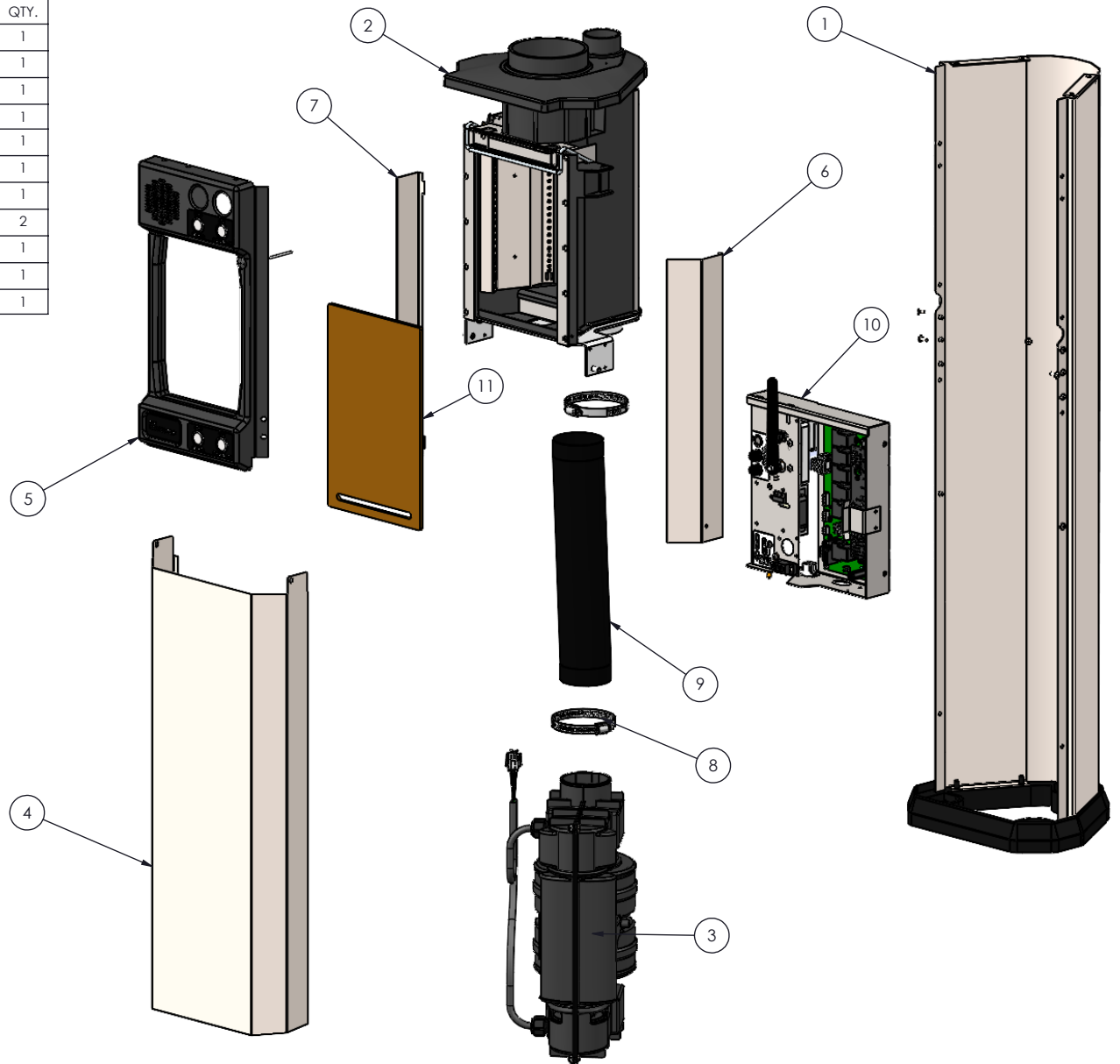
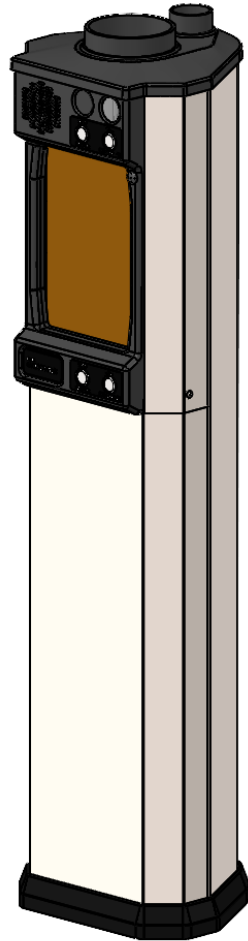
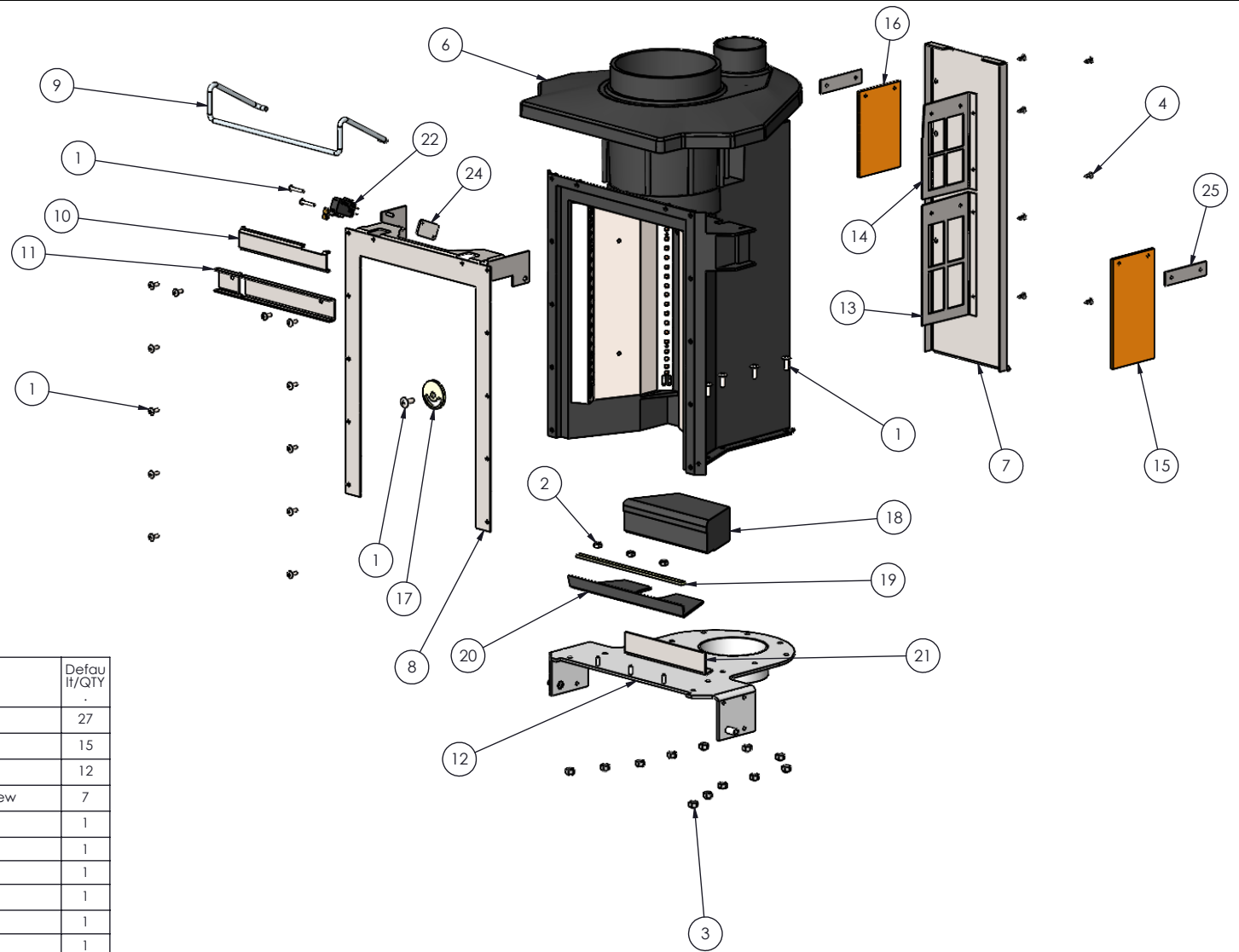


| ITEM NO. | PartNo         | DESCRIPTION                                  | QTY. |
|----------|----------------|--|------|
| 1        | G45-BASE-REAR  | Base and Rear SS Panel Assembly              | 1    |
| 2        | G45-OH-PocketP | Pocket Complete, XLR Plastic Carrier         | 1    |
| 3        | B10531         | Turbine, Molded Assembly                     | 1    |
| 4        | G45-244        | Front Lower Panel, XLR Stainless Steel       | 1    |
| 5        | G45-FASCIA     | XLR Fascia Complete Assembly                 | 1    |
| 6        | G45-243        | Front Upper Right Cover, XLR Stainless Steel | 1    |
| 7        | G45-248        | Front Upper Left Cover, XLR Stainless Steel  | 1    |
| 8        | H1074          | 3" Hose Clamp                                | 2    |
| 9        | B2948          | 3in Dia Flex Hose 15in Long                  | 1    |
| 10       | G45-ELEC-STD   | Standard Electric Panel Complete             | 1    |
| 11       | B10343         | Door, XLR/HA45                               | 1    |



99-1141  
Sheet 1 of 4

|  |  |                   |  |      |
|--|--|-------------------|--|------|
| est. 1967<br><b>HAMILTON</b><br>CUSTOM MADE SECURITY | PROPRIETARY AND CONFIDENTIAL<br>THESE DRAWINGS ARE THE PROPERTY<br>OF HAMILTON SAFE CO. AND SHALL<br>NOT BE REPRODUCED, COPIED, USED<br>AS THE BASIS FOR MANUFACTURE OR<br>SALE OF APPARATUS WITHOUT<br>PERMISSION |                   | TITLE<br>HA1000-XLR Overhead Customer Unit |      |
|  | PART NUMBER<br>XLR-OHC-01  |                   | DRAWN BY<br>BilDef                         |      |
|  |  | DATE<br>6/18/2019 | CHECKED BY                                 | DATE |
|  |  | REVISION<br>A     |  |      |

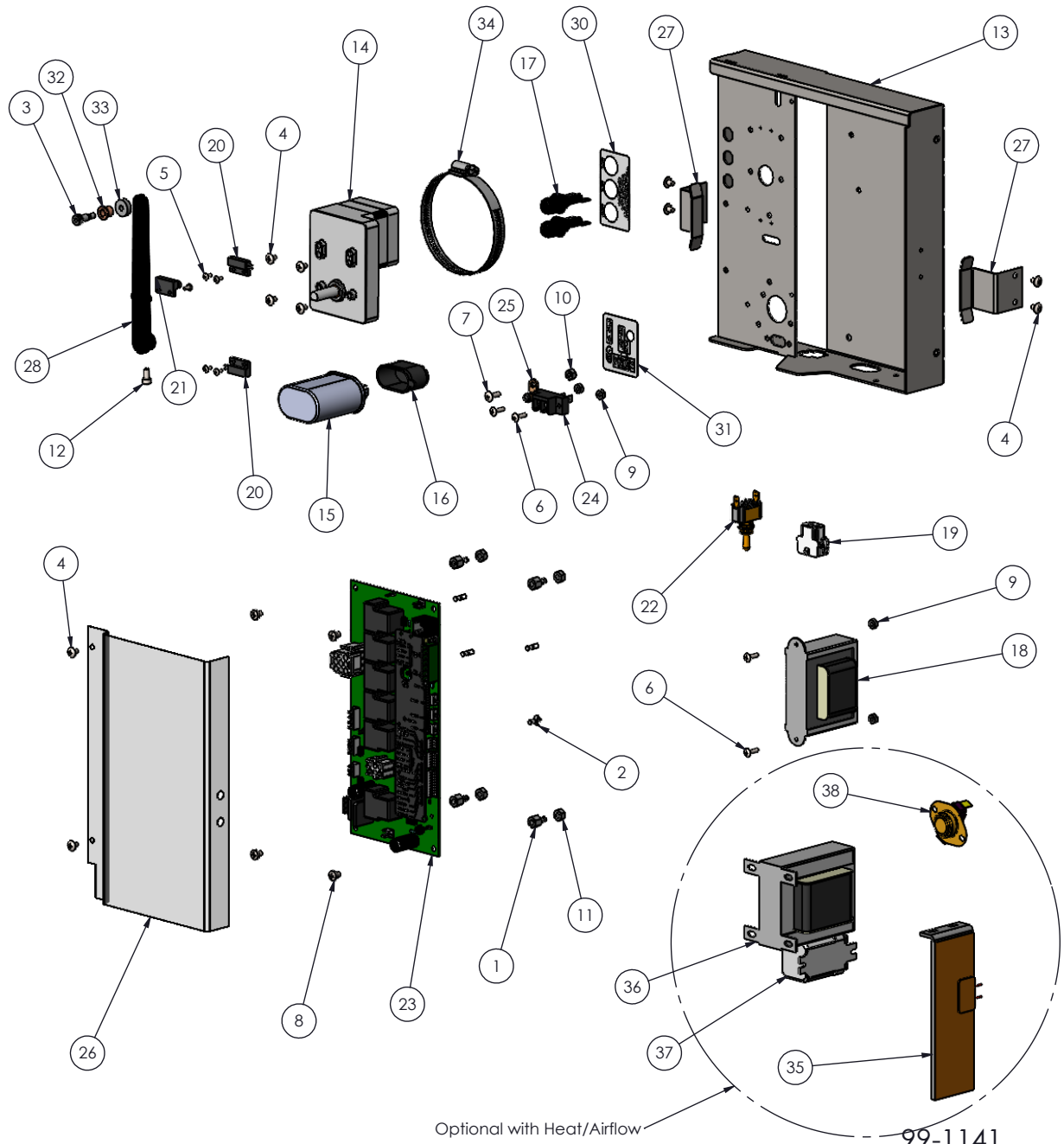


| ITEM NO. | PartNo    | DESCRIPTION                               | Default/Qty |
|----------|-----------|---|-------------|
| 1        |           | 8-32 x 1/2 Phillips Truss MS (Zinc)       | 27          |
| 2        |           | 6-32 Hex Nylon Lock Nut                   | 15          |
| 3        |           | 8-32 Hex Nylon Lock Nut                   | 12          |
| 4        |           | #6 x 3/8" Phillips Self-Threading Screw   | 7           |
| 6        | G45-TOP-P | Top Cap & Pocket Assembly                 | 1           |
| 7        | G45-P006  | Back Cover Panel, XLR Pocket              | 1           |
| 8        | G45-P003  | Retainer, XLR Door                        | 1           |
| 9        | G45-P014  | Safety Bar, XLR                           | 1           |
| 10       | G45-P015  | Hook, Fascia Service                      | 1           |
| 11       | G45-P011  | Spacer Channel, Safety Bar                | 1           |
| 12       | G45-P012  | Plastic Pocket Bottom Plate               | 1           |
| 13       | G45-P001  | Divider Plate, Pressure                   | 1           |
| 14       | G45-P002  | Divider Plate, Vacuum                     | 1           |
| 15       | G45-P009  | Pressure Flap Check                       | 1           |
| 16       | G45-P010  | Vacuum Flap Check                         | 1           |
| 17       | B5367     | Bleeder, Carrier Break Speed HA45-022     | 1           |
| 18       | B5383     | Bumper, Carrier HA45-033                  | 1           |
| 19       | B5382     | Retainer, Break Check HA45-030            | 1           |
| 20       | B5386     | Pressure Check Valve, HA45-029            | 1           |
| 21       | HA45-032  | Retainer Carrier Bumper                   | 1           |
| 22       | E0173     | Mini Lever Roller Switch (#V7-1B17D8-207) | 1           |
| 23       | HAW-052   | Tube, 3in OD x 1.25in Lg                  | 1           |
| 24       | DD-088    | Tapped Block - 4-40 Mini Switch           | 1           |
| 25       | G45-P013  | Backup Plate, Flap Check                  | 2           |

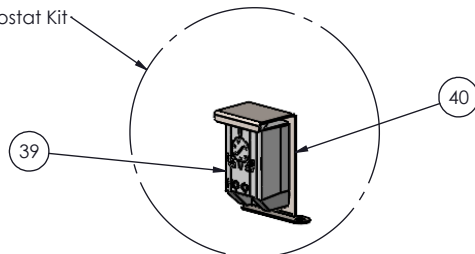
99-1141  
Sheet 2 of 4

|  |  |                   |   |      |
|--|--|-------------------|---|------|
| est. 1967<br><b>HAMILTON</b><br>CUSTOM MADE SECURITY | PROPRIETARY AND CONFIDENTIAL<br>THESE DRAWINGS ARE THE PROPERTY<br>OF HAMILTON SAFE CO. AND SHALL<br>NOT BE REPRODUCED, COPIED, USED<br>AS THE BASIS FOR MANUFACTURE OR<br>SALE OF APPARATUS WITHOUT<br>PERMISSION |                   | TITLE<br>Pocket Complete, XLR Plastic Carrier |      |
|  | PART NUMBER<br>G45-OH-PocketP  |                   | DRAWN BY<br>BilDef                            |      |
|  |  | DATE<br>6/18/2019 | CHECKED BY                                    | DATE |
|  |  | REVISION<br>A     |   |      |

| ITEM NO. | PartNo        | DESCRIPTION  | QTY. |
|----------|---------------|--|------|
| 1        | 10F25H37AP/MF | Standoff, 3/8 Hex 10-32 1/4 Aluminum                     | 4    |
| 2        | RAF/30441-N   | PCB Support Post   | 4    |
| 3        | KSS25R37/S    | 1/4 x 3/8 Socket Shld Bolt SS                            | 1    |
| 4        |               | 8-32 x 1/4 Phillips Truss MS (Zinc)                      | 10   |
| 5        |               | 4-40 x 1/4 Phillips Truss MS (Zinc)                      | 6    |
| 6        |               | 6-32 x 1/2 Phillips Truss MS (Zinc)                      | 4    |
| 7        |               | 8-32 x 1/2 Phillips Truss MS (Zinc)                      | 1    |
| 8        |               | 10-32 x 1/4 Phillips Pan MS (Zinc)                       | 4    |
| 9        |               | 6-32 Hex Nylon Lock Nut                                  | 4    |
| 10       |               | 8-32 Hex Nylon Lock Nut                                  | 1    |
| 11       |               | 10-32 Hex Nylon Lock Nut                                 | 4    |
| 12       |               | 10-32 x 3/8 Hex Socket CS (Zinc)                         | 1    |
| 13       | G45-213       | Electric Panel   | 1    |
| 14       | E0419         | Motor, Door (MK ##3410RP-152)                            | 1    |
| 15       | E0106         | Capacitor , 27L566S Cap 7.5 370 Volt                     | 1    |
| 16       | E0101         | Boot, Capacitor #3X685                                   | 1    |
| 17       | E0088         | Fuse Holder, Panel Mount                                 | 2    |
| 18       | E0504         | Transformer, 2 Amp                                       | 1    |
| 19       | 1-480705-0    | Connector, Panel (AMP)                                   | 1    |
| 20       | MP2018        | Reed Switch, Cherry                                      | 2    |
| 21       | AS01801       | Magnet, Cherry   | 1    |
| 22       | 11TS95-2      | Switch, Toggle (Honeywell)                               | 1    |
| 23       | E0873-C       | I/O Control Board, Customer Unit                         | 1    |
| 24       | BC6-Q308-02   | Terminal Strip, 2 Position                               | 1    |
| 25       | E0625         | Ground Lug   | 1    |
| 26       | G45-255       | Cover, Electrical Panel                                  | 1    |
| 27       | G45-225       | Guide, Door  | 2    |
| 28       | G45-256       | Crank Arm, Door, XLR                                     | 1    |
| 29       | H1050         | Shaft Collar, 5/16" ID                                   | 1    |
| 30       | H10303        | Label, Fuse Rating XLR Panel                             | 1    |
| 31       | H10304        | Label, Power Connection XLR Panel                        | 1    |
| 32       | H0374         | DOOR ARM BUSHING   | 1    |
| 33       | 10N18R50AP    | 3/16" Thick Spacer                                       | 1    |
| 34       | H1074         | 3" Hose Clamp  | 1    |
| 35       | E10385        | Heater Element, XLR Silicon 120v-75w (#SFH0075-120-0102) | 1    |
| 36       | E6031         | Transformer 4amp, 24VAC Output                           | 1    |
| 37       | E10013        | Relay, Airflow   | 1    |
| 38       | E0961         | Thermostat, Heater                                       | 1    |
| 39       | SKT011419NO   | Thermostat, Airflow                                      | 1    |
| 40       | G45-1501      | Bracket, Airflow Thermostat                              | 1    |



E0873-AFT Airflow Thermostat Kit

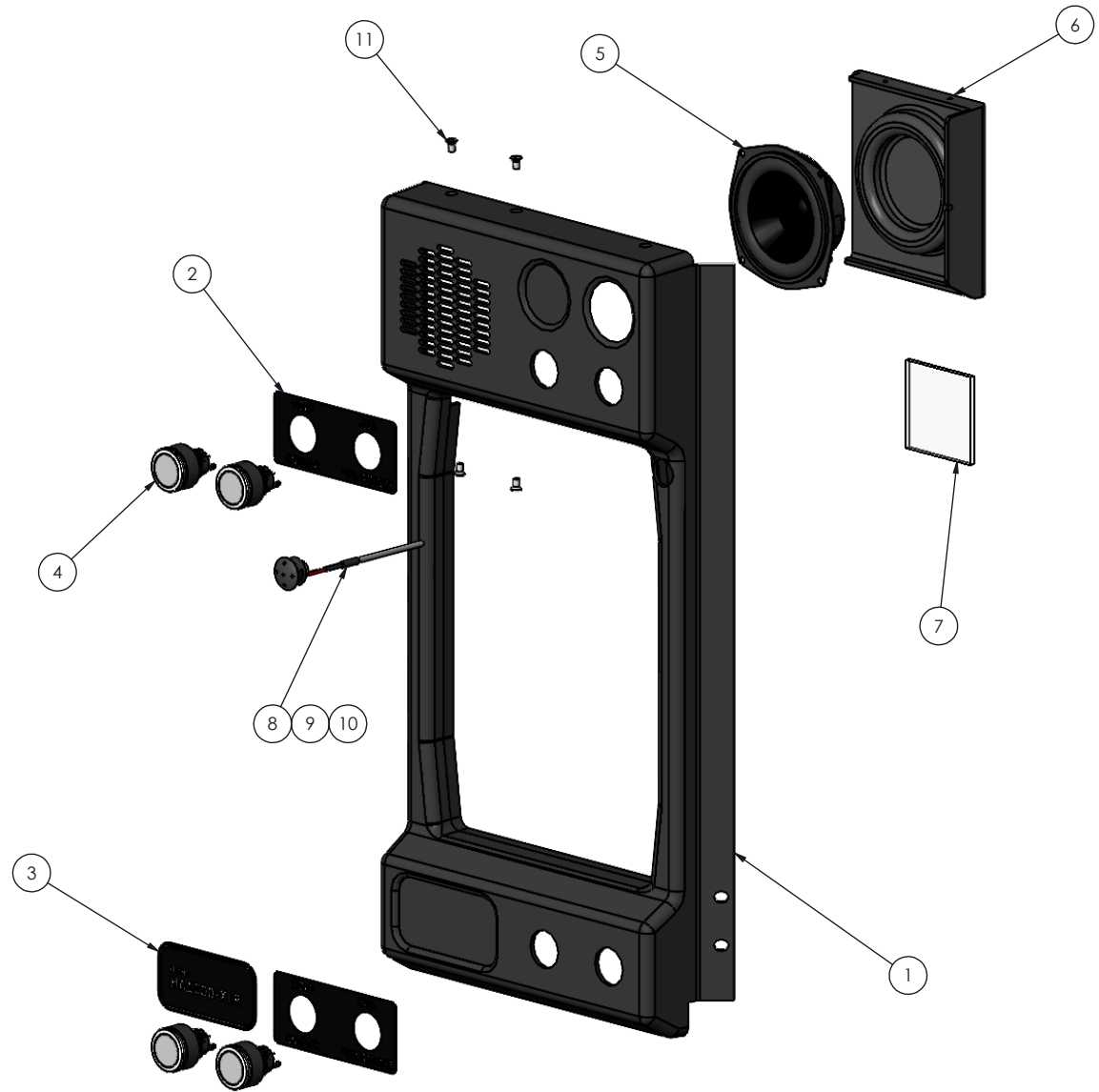


Optional with Heat/Airflow

99-1141  
Sheet 3 of 4

|  |  |                              |   |               |
|--|--|------------------------------|---|---------------|
| est. 1967<br><b>HAMILTON</b><br>CUSTOM MADE SECURITY | PROPRIETARY AND CONFIDENTIAL<br>THESE DRAWINGS ARE THE PROPERTY<br>OF HAMILTON SAFE CO. AND SHALL<br>NOT BE REPRODUCED, COPIED, USED<br>AS THE BASIS FOR MANUFACTURE OR<br>SALE OF APPARATUS WITHOUT<br>PERMISSION |                              | TITLE<br>Standard Electric Panel Complete |               |
|  | PART NUMBER<br>G45-ELEC-STD  |                              | DRAWN BY<br>BD                            |               |
|  |  | DATE CHECKED BY<br>6/18/2019 | DATE<br>B                                 | REVISION<br>B |

| ITEM NO. | PartNo           | DESCRIPTION                                | QTY. |
|----------|------------------|--|------|
| 1        | G45-211          | Front Fascia Plastic, XLR                  | 1    |
| 2        | G45-258          | Label, Send/Call, XLR                      | 2    |
| 3        | G45-257          | Label, Nameplate XLR                       | 1    |
| 4        | YB215CWCPW01-N-P | Pushbutton, 22mm Chrome                    | 4    |
| 5        | B4956            | Speaker, 3" #P(77-10)FL-1-C-PF             | 1    |
| 6        | G45-226          | Enclosure, HA1000XLR Speaker               | 1    |
| 7        | G45-259          | Glass, Camera Window, 2"x2"x1/8"           | 1    |
| 8        | E10064           | Microphone                                 | 1    |
| 9        | 2657-2658        | Heyco Vent Plug                            | 1    |
| 10       | E0684            | Microphone Windscreen HAW-095              | 1    |
| 11       |                  | 6-32 x 1/4 Flat Head Self-Threading (Zinc) | 4    |



99-1141  
Sheet 4 of 4

|  |  |            |      |               |                                       |  |
|--|--|------------|------|---------------|---------------------------------------|--|
| est. 1967<br><b>HAMILTON</b><br>CUSTOM MADE SECURITY | PROPRIETARY AND CONFIDENTIAL<br>THESE DRAWINGS ARE THE PROPERTY<br>OF HAMILTON SAFE CO. AND SHALL<br>NOT BE REPRODUCED, COPIED, USED<br>AS THE BASIS FOR MANUFACTURE OR<br>SALE OF APPARATUS WITHOUT<br>PERMISSION |            |      |               | TITLE<br>XLR Fascia Complete Assembly |  |
|  | PART NUMBER<br>G45-FASCIA  |            |      |               |                                       |  |
| DRAWN BY<br>BilDef                                   | DATE<br>6/18/2019  | CHECKED BY | DATE | REVISION<br>A |                                       |  |