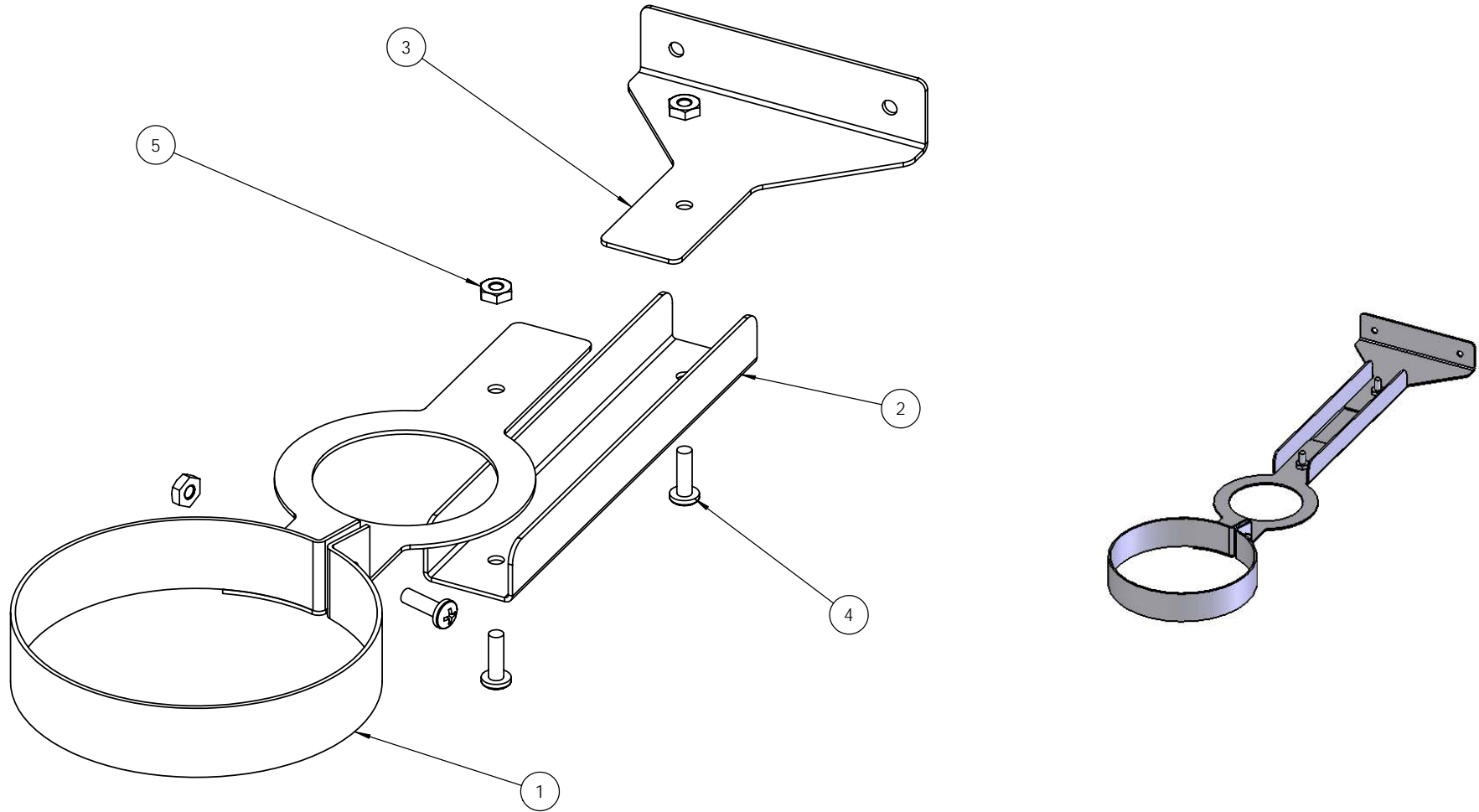


ITEM NO.	PART NUMBER	DESCRIPTION	QTY.
1	WSB-005	Teller Tube Stabilizer Welded Assy	1
2	WSB-002	Attaching Channel	1
3	WSB-003	Wall Mount Bracket	1
4	Purchase Local	10-32 x 5/8 PHMS (Zinc)	3
5	Purchase Local	10-32 Hex Nut (Zinc)	3



REQ'D PER UNIT SHEET 1 OF 1

THESE DRAWINGS ARE THE PROPERTY OF HAMILTON SAFE CO. AND SHALL NOT BE REPRODUCED OR COPIED OR USED AS THE BASIS FOR MANUFACTURE OR SALE OF APPARATUS WITHOUT PERMISSION

TOLERANCES UNLESS OTHERWISE NOTED:
 FRACTIONS: + 1/64"
 DECIMALS: + .005
 ANGLES: + 1/2°

HAMILTON		
SCALE: 1:10	MATERIAL:	DRAWN BY:
WEIGHT:	FINISH:	BEND ALLOWANCE:
TITLE: Teller Stabilizer Wall Bracket Part Number B6944		
DATE: 9/30/08	DRAWING NUMBER: 99-1020	REVISION