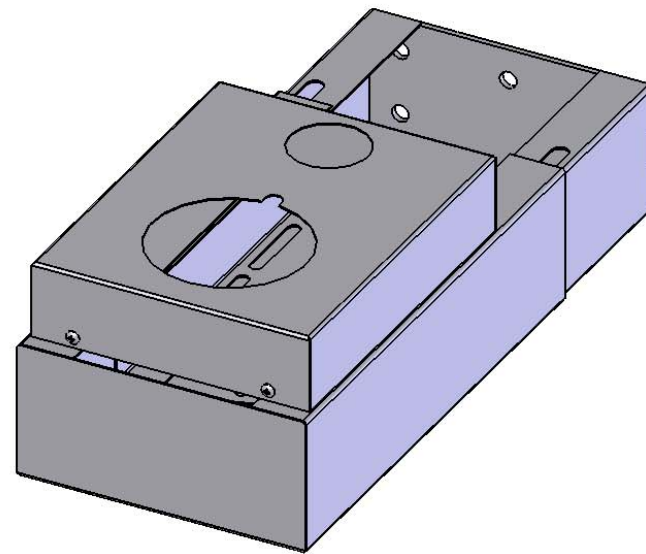


ITEM NO.	PART NUMBER	DESCRIPTION	QTY.
1	LLWM-006	Main Wall Support Welded SubAssy	1
2	LLWM-002	Teller Support Channel	1
3	LLWM-003	Teller Clamp Cover Pan	1
4	LLWM-004-L	Lower Left Tube Trim	2
5	LLWM-004-R	Lower Right Tube Trim	
6	Purchase Local	5/16-18 x 1/2 SBHCS (Zinc)	2
7	Purchase Local	5/16-18 Flanged Hex Nut (Zinc)	2
8	Purchase Local	8-32 x 1/4 THMS (SS)	2
9	Purchase Local	10-32 x 1/4 FHMS (Zinc)	6
10	Purchase Local	3/8-16 x 3/4" Hex Bolt (Zinc)	2
11	Purchase Local	3/8-16 Hex Nut (Zinc)	2



REQ'D PER UNIT

SHEET 1 OF 1

<b>HAMILTON</b>		
SCALE: 1:20	MATERIAL:	DRAWN BY:
WEIGHT:	FINISH:	BEND ALLOWANCE: .
TITLE: Low Level Teller Wall Mount Bracket Part number B6945		
DATE: 9/30/08	DRAWING NUMBER: 99-1019	REVISION: A

THESE DRAWINGS ARE THE PROPERTY OF HAMILTON SAFE CO. AND SHALL NOT BE REPRODUCED OR COPIED OR USED AS THE BASIS FOR MANUFACTURE OR SALE OF APPARATUS WITHOUT PERMISSION

TOLERANCES UNLESS OTHERWISE NOTED:  
 FRACTIONS: + 1/64"  
 DECIMALS: + .005  
 ANGLES: + 1/2°

Revision "A" 10/10/08 (Added 3/8-16 Hardware)