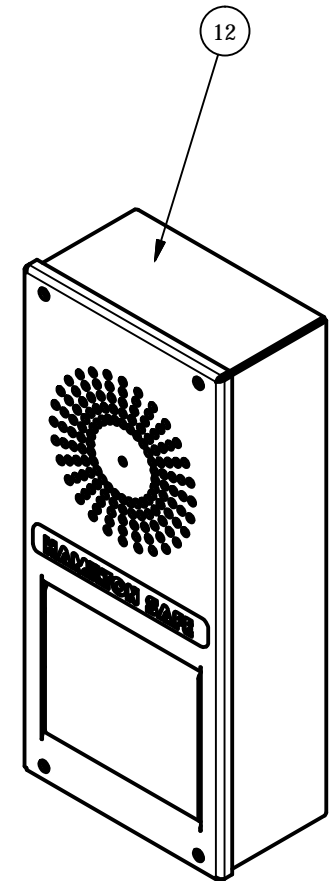
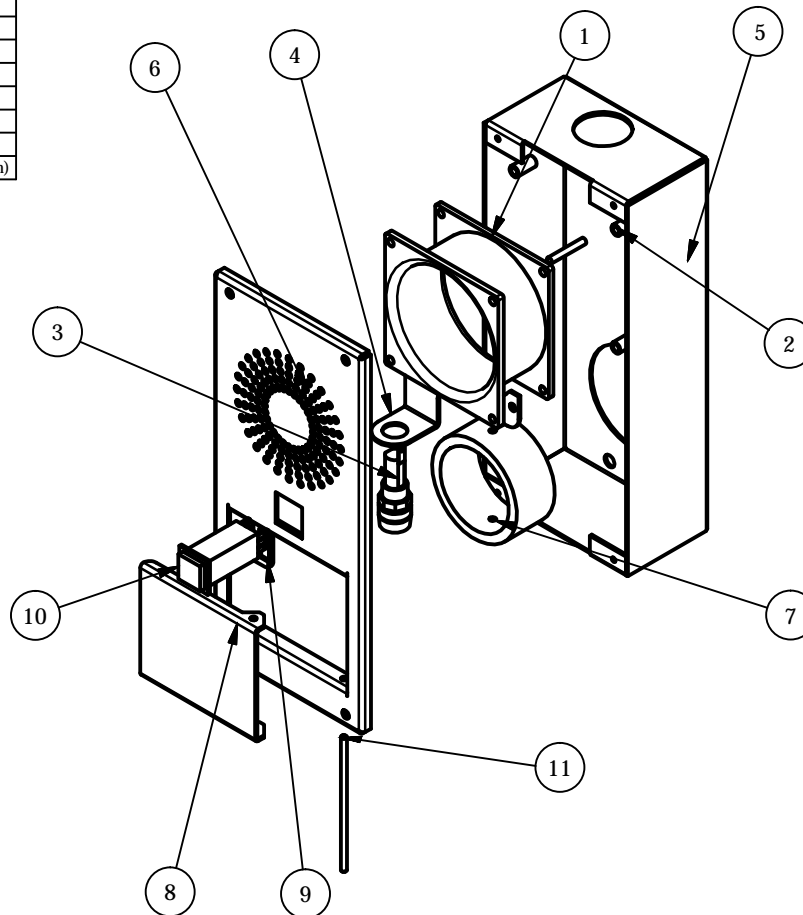
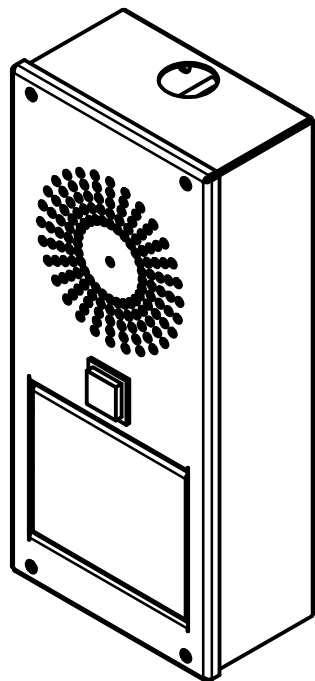


REV.-1	DATE:	
REV.-2	DATE:	
REV.-3	DATE:	

PARTS LIST			
ITEM	QTY	PART NUMBER	DESCRIPTION
1	1	4WT40	Ventilator Fan
2	4	M-107	Ventilator Fan Spacer
3	1	E0084	Ventilator Fuse
4	1	M-106	Ventilator Fuse Bracket
5	1	M-105	Ventilator Housing
6	1	M-100	Ventilator Front Cover
7	1	M-102	Ventilator Tube Sleeve
8	1	M-101	Front Cover Access Door
9	1	M-104	Latch Mounting Bracket
10	1	E0032	Ventilator Fan Switch
11	1	M-103	Access Door Hinge Pin
12	1	M-116	Exterior Intake Box
13	1		20" PVC Tube (Not Shown)



NOTES:
BORE 2-1/16" HOLE THRU PANEL

HAMILTON SAFE	
DETAILS OF MONTGOMERY VAULT DOOR WALL MOUNTED VENTILATOR	
Page 1 of 1	
Drawing Number : 96-952	Date : 9/26/13