

LASER STARTS:

CUT LENGTH:

BENDS:

SECOND OPERATIONS:

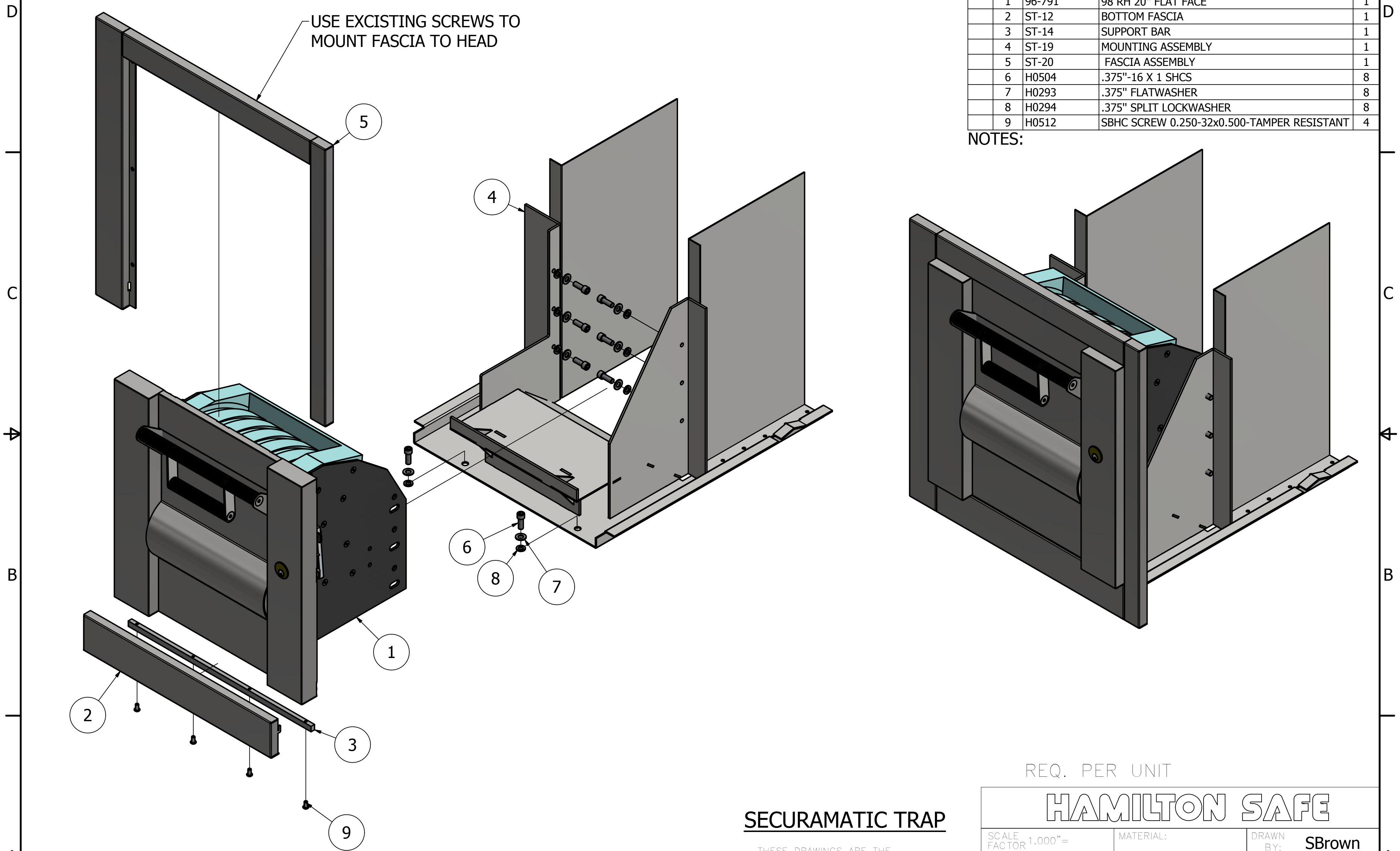
BLANK SIZE: N/A X N/A

G:\SC US Engineering\SC US Mason\DEPOSITORY HEADS\98 RH-20" FLAT FACE\DESIGN\98RH 20" FLAT FACE REPLACEMENT KITS\96-757 SECURAMATIC TRAP\96-757 SECURAMATIC TRAP.iam

PARTS LIST				
BOX	ITEM	PART NUMBER	TITLE	QTY
	1	96-791	98 RH 20" FLAT FACE	1
	2	ST-12	BOTTOM FASCIA	1
	3	ST-14	SUPPORT BAR	1
	4	ST-19	MOUNTING ASSEMBLY	1
	5	ST-20	FASCIA ASSEMBLY	1
	6	H0504	.375"-16 X 1 SHCS	8
	7	H0293	.375" FLATWASHER	8
	8	H0294	.375" SPLIT LOCKWASHER	8
	9	H0512	SBHC SCREW 0.250-32x0.500-TAMPER RESISTANT	4

NOTES:

USE EXCISTING SCREWS TO MOUNT FASCIA TO HEAD



REQ. PER UNIT

HAMILTON SAFE

SCALE FACTOR: 1.000"=	MATERIAL:	DRAWN BY: SBrown
ACTUAL SCALE: .2		BEND ALLOWANCE:
TITLE: 96-757 (96-890) SECURAMATIC TRAP SECURAMATIC TRAP		
DATE: 2/23/2015	DRAWING NUMBER: 96-757(NON ADA) 96-890(ADA)	REVISION:

SECURAMATIC TRAP

THESE DRAWINGS ARE THE PROPERTY OF HAMILTON SAFE CO. AND SHALL NOT BE REPRODUCED OR COPIED OR USED AS THE BASIS FOR MANUFACTURE OR SALE OF APPARATUS WITHOUT PERMISSION

TOLERANCES UNLESS OTHERWISE NOTED:
FRACTIONS: ± 1/64"
DECIMALS: ± 0.010
ANGLES: ± 1/2°

LASER STARTS:

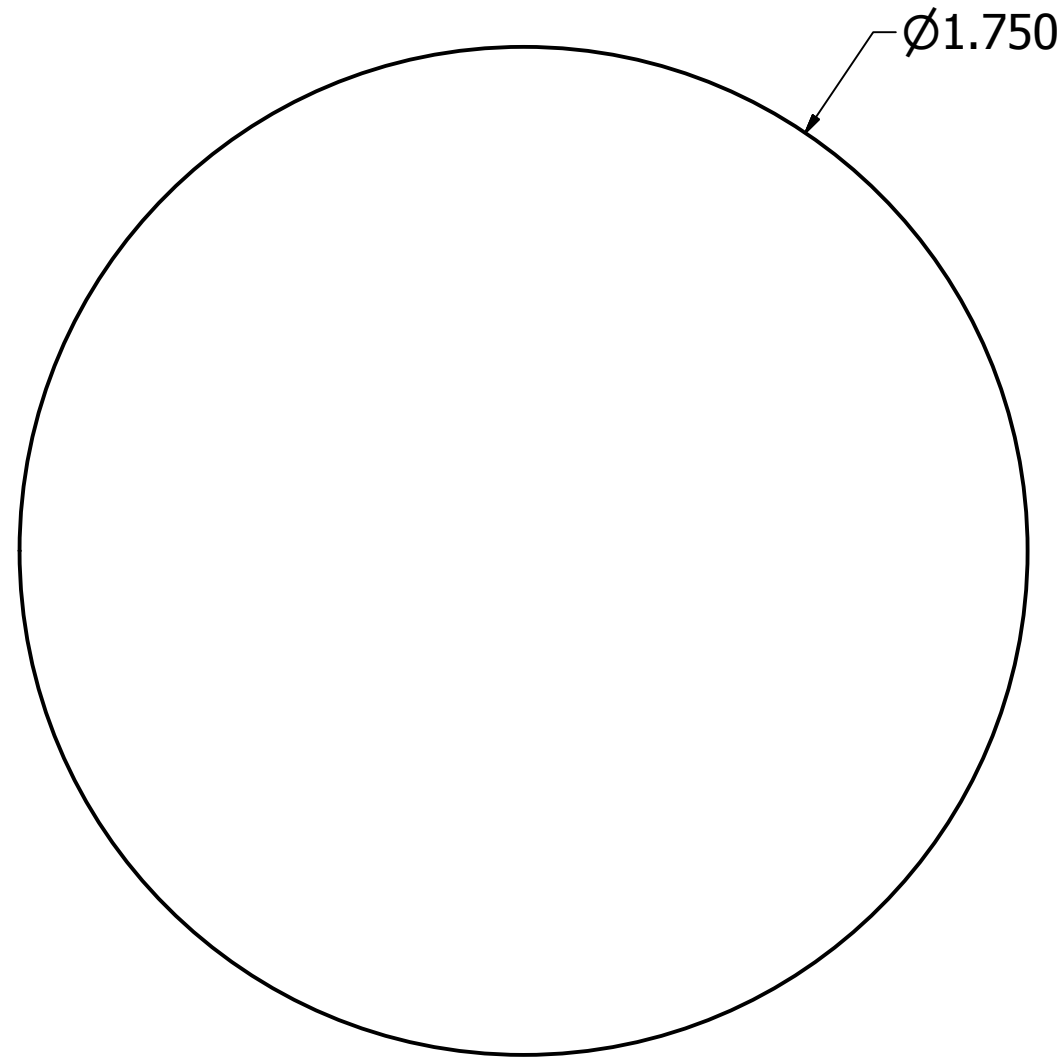
CUT LENGTH:

BENDS:

SECOND OPERATIONS:

BLANK SIZE: 1.750 in X 1.750 in

G:\SC US Engineering\SC US Mason\DEPOSITORY HEADS\98 RH-20" FLAT FACE\DESIGN\98RH 20" FLAT FACE REPLACEMENT KITS\96-757 SECURAMATIC TRAP\ST-01 PIN TOP COVER.ipt



1 REQ. PER UNIT

HAMILTON SAFE

SCALE FACTOR 1.000"=	MATERIAL: 11 GA HRPO	DRAWN BY: SBrown
ACTUAL SCALE: 3	BEND ALLOWANCE: 0.100	
TITLE: 96-757 (96-890) SECURAMATIC TRAP PIN TOP COVER		
DATE: 2/23/2015	DRAWING NUMBER: ST-01	REVISION

THESE DRAWINGS ARE THE
PROPERTY OF HAMILTON SAFE CO.
AND SHALL NOT BE REPRODUCED
OR COPIED OR USED AS THE BASIS
FOR MANUFACTURE OR SALE OF
APPARATUS WITHOUT PERMISSION

TOLERANCES UNLESS OTHERWISE NOTED:
FRACTIONS: ± 1/64"
DECIMALS: ± 0.010
ANGLES: ± 1/2°

D

D

C

C

B

B

A

A

A

A

4

3

2

1

4

3

2

1

4	3	2	1
LASER STARTS:	CUT LENGTH:	# BENDS:	SECOND OPERATIONS:
BLANK SIZE: N/A X N/A			

G:\SC US Engineering\SC US Mason\DEPOSITORY HEADS\98 RH-20" FLAT FACE\DESIGN\98RH 20" FLAT FACE REPLACEMENT KITS\96-757 SECURAMATIC TRAP\ST-02 PIN COLLAR.ipt

D

D

C

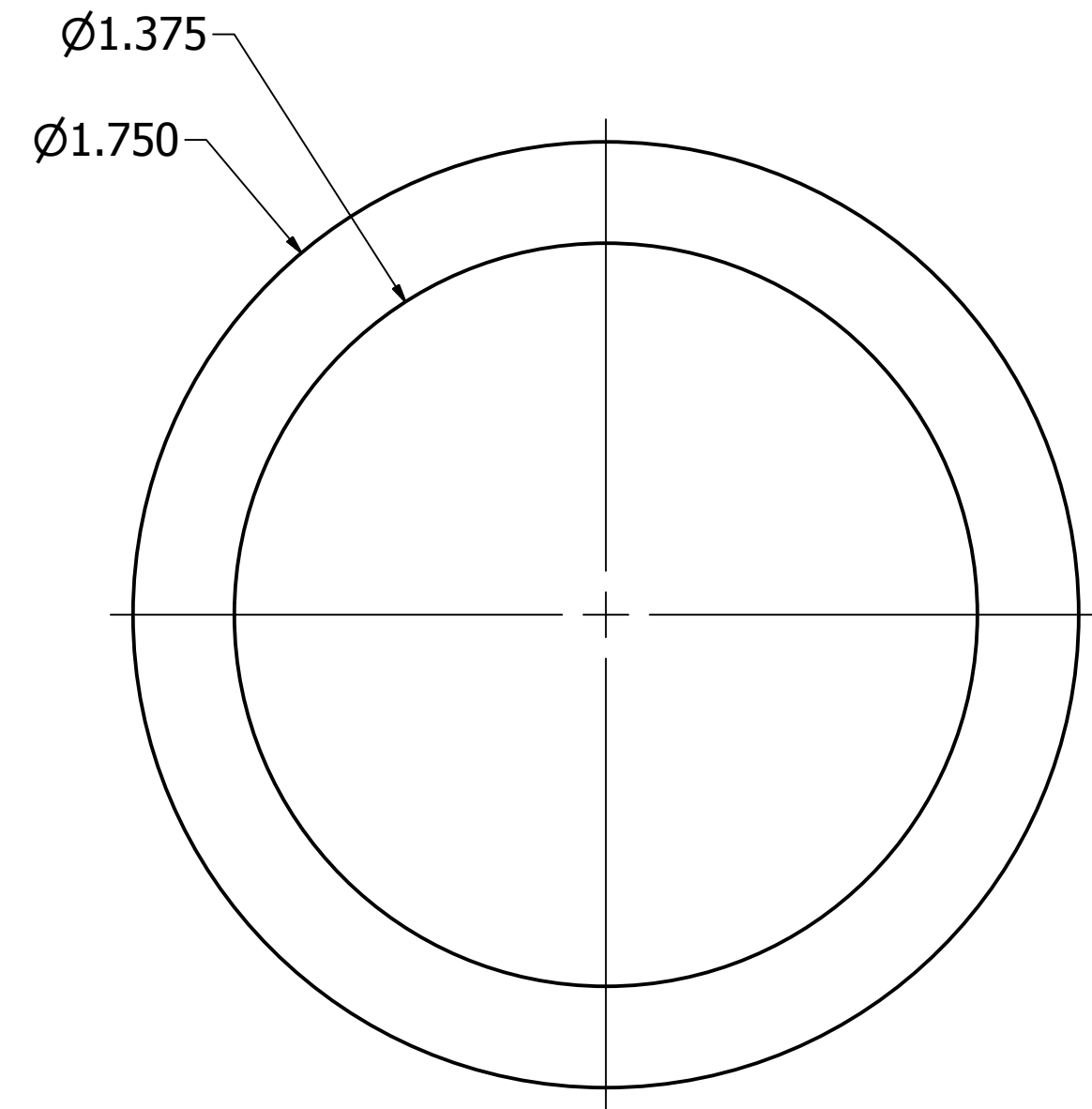
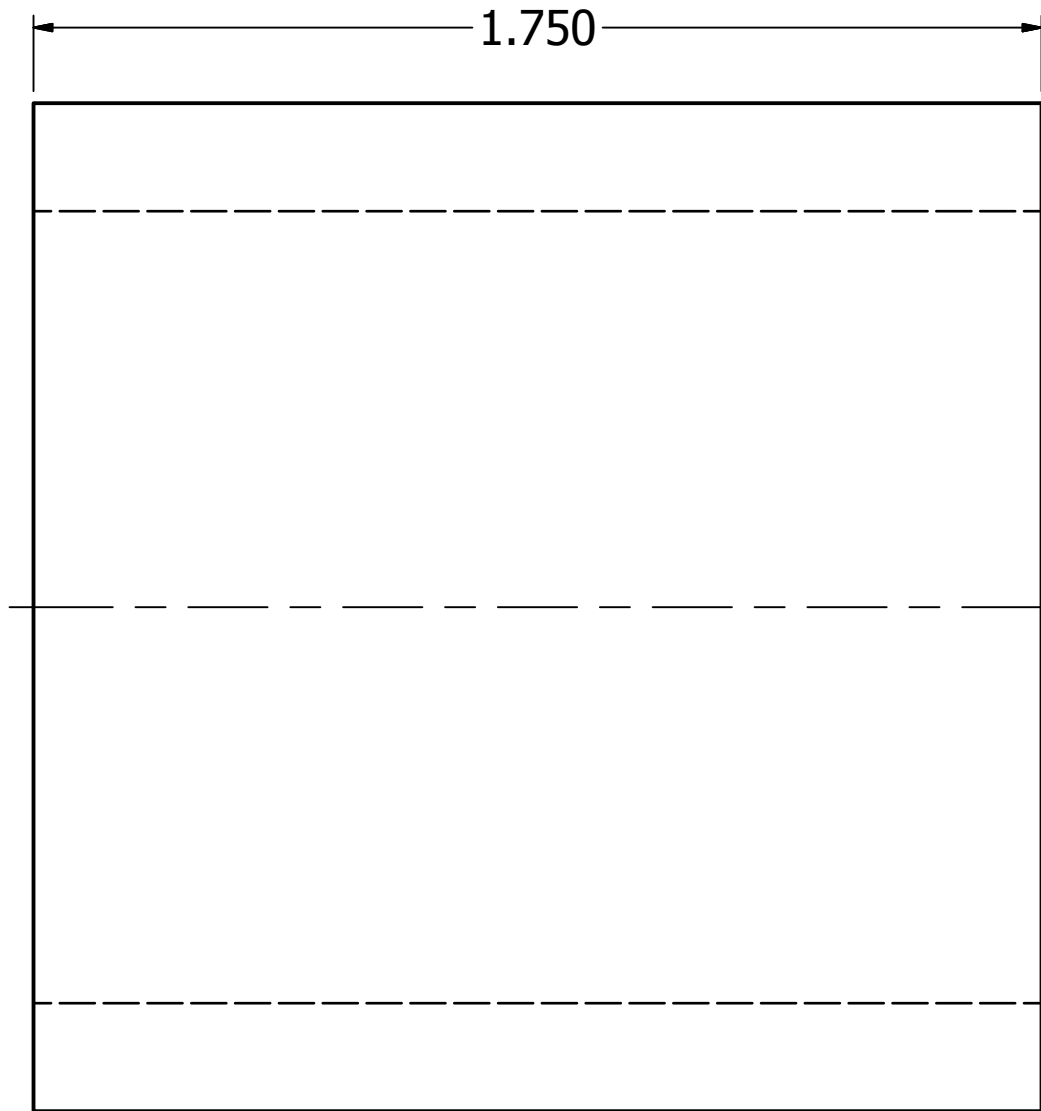
C

B

B

A

A



1 REQ. PER UNIT

HAMILTON SAFE

SCALE FACTOR 1.000"=	MATERIAL 1 3/4-3/16 WALL DOM	DRAWN BY: SBrown	BEND ALLOWANCE:
ACTUAL SCALE: 3	TITLE: 96-757 (96-890) SECURAMATIC TRAP PIN COLLAR		
TOLERANCES UNLESS OTHERWISE NOTED: FRACTIONS: ± 1/64" DECIMALS: ± 0.010 ANGLES: ± 1/2°	DATE: 2/23/2015	DRAWING NUMBER: ST-02	REVISION

THESE DRAWINGS ARE THE PROPERTY OF HAMILTON SAFE CO. AND SHALL NOT BE REPRODUCED OR COPIED OR USED AS THE BASIS FOR MANUFACTURE OR SALE OF APPARATUS WITHOUT PERMISSION

4

3

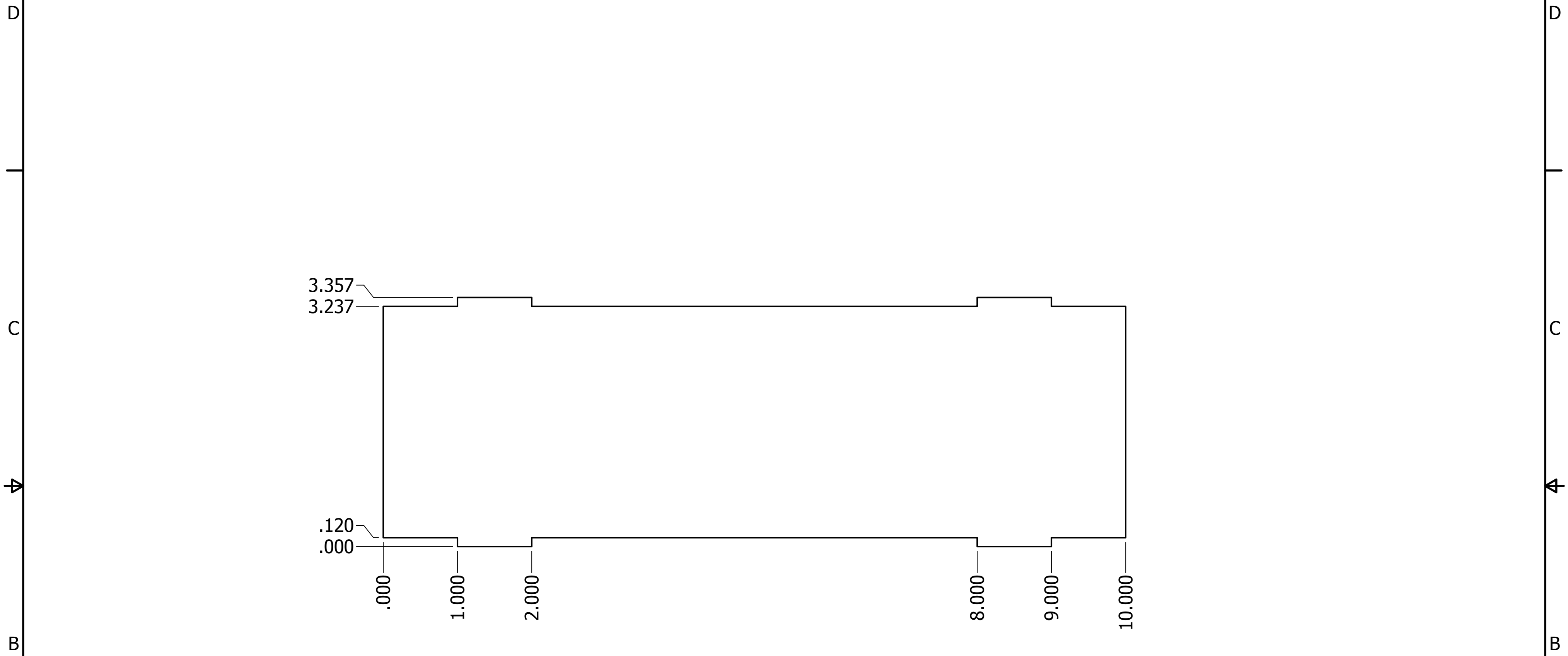
2

1

1

LASER STARTS: CUT LENGTH: # BENDS: SECOND OPERATIONS: BLANK SIZE: 10.000 in X 3.357 in

G:\SC US Engineering\SC US Mason\DEPOSITORY HEADS\98 RH-20" FLAT FACE\DESIGN\98RH 20" FLAT FACE REPLACEMENT KITS\96-757 SECURAMATIC TRAP\ST-04 RAMP SUPPORT PLATE.ipt



1 REQ. PER UNIT

HAMILTON SAFE

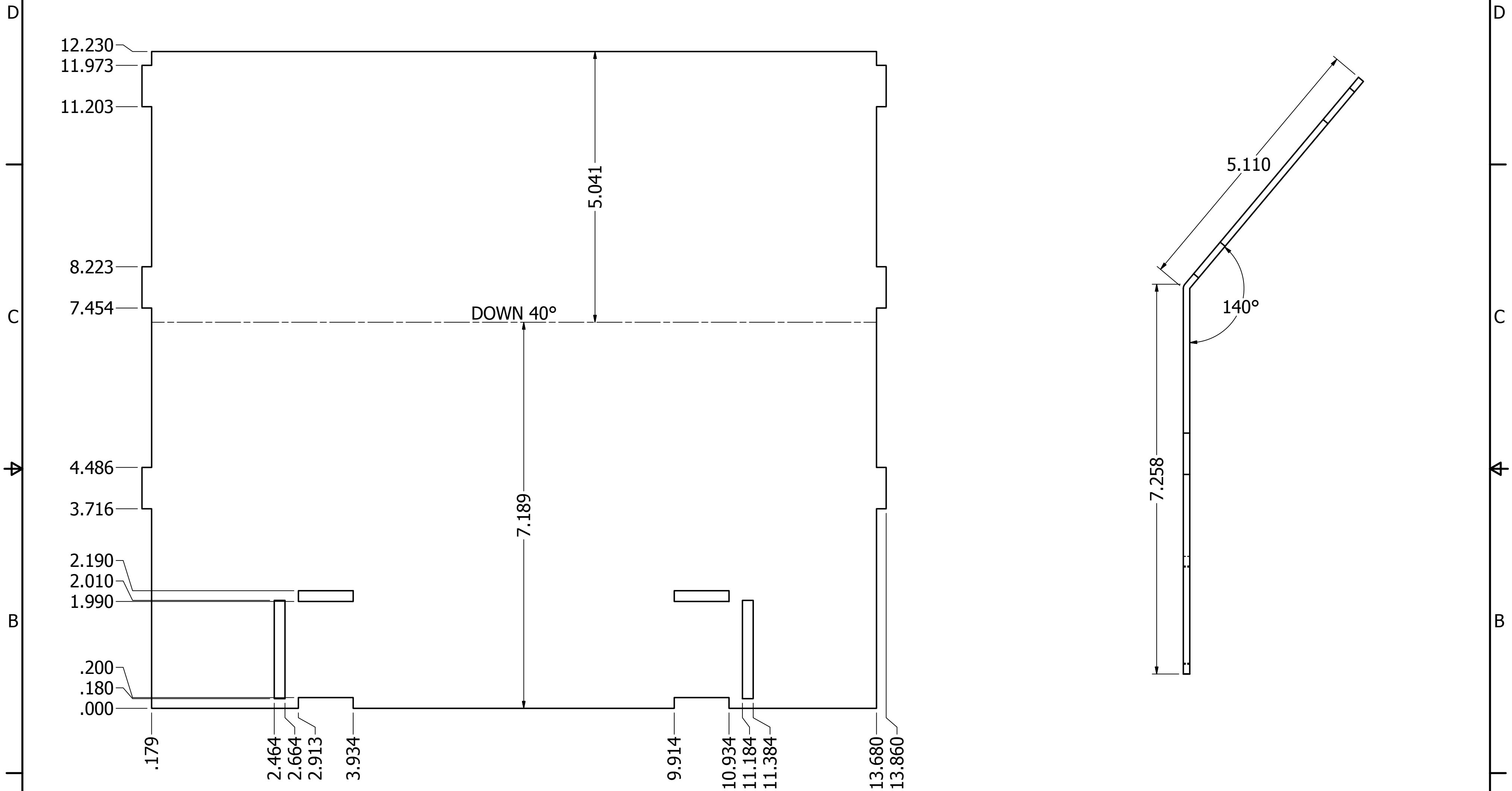
SCALE FACTOR 1.000"=	MATERIAL: 7 GA HRPO	DRAWN BY: SBrown
ACTUAL SCALE: 1	BEND ALLOWANCE: 0.156	
TITLE: 96-757 (96-890) SECURAMATIC TRAP RAMP SUPPORT PLATE		
DATE: 2/23/2015	DRAWING NUMBER: ST-04	REVISION

THESE DRAWINGS ARE THE PROPERTY OF HAMILTON SAFE CO. AND SHALL NOT BE REPRODUCED OR COPIED OR USED AS THE BASIS FOR MANUFACTURE OR SALE OF APPARATUS WITHOUT PERMISSION

TOLERANCES UNLESS OTHERWISE NOTED:
 FRACTIONS: ± 1/64"
 DECIMALS: ± 0.010
 ANGLES: ± 1/2°

LASER STARTS: CUT LENGTH: # BENDS: SECOND OPERATIONS: BLANK SIZE: 13.860 in X 12.230 in

G:\SC US Engineering\SC US Mason\DEPOSITORY HEADS\98 RH-20" FLAT FACE\DESIGN\98RH 20" FLAT FACE REPLACEMENT KITS\96-757 SECURAMATIC TRAP\ST-05 RAMP PLATE.ipt



1 REQ. PER UNIT

HAMILTON SAFE

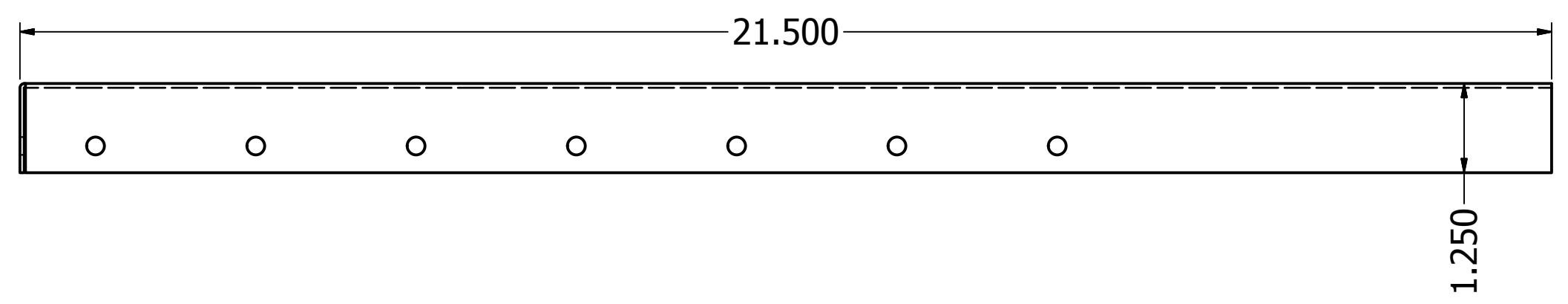
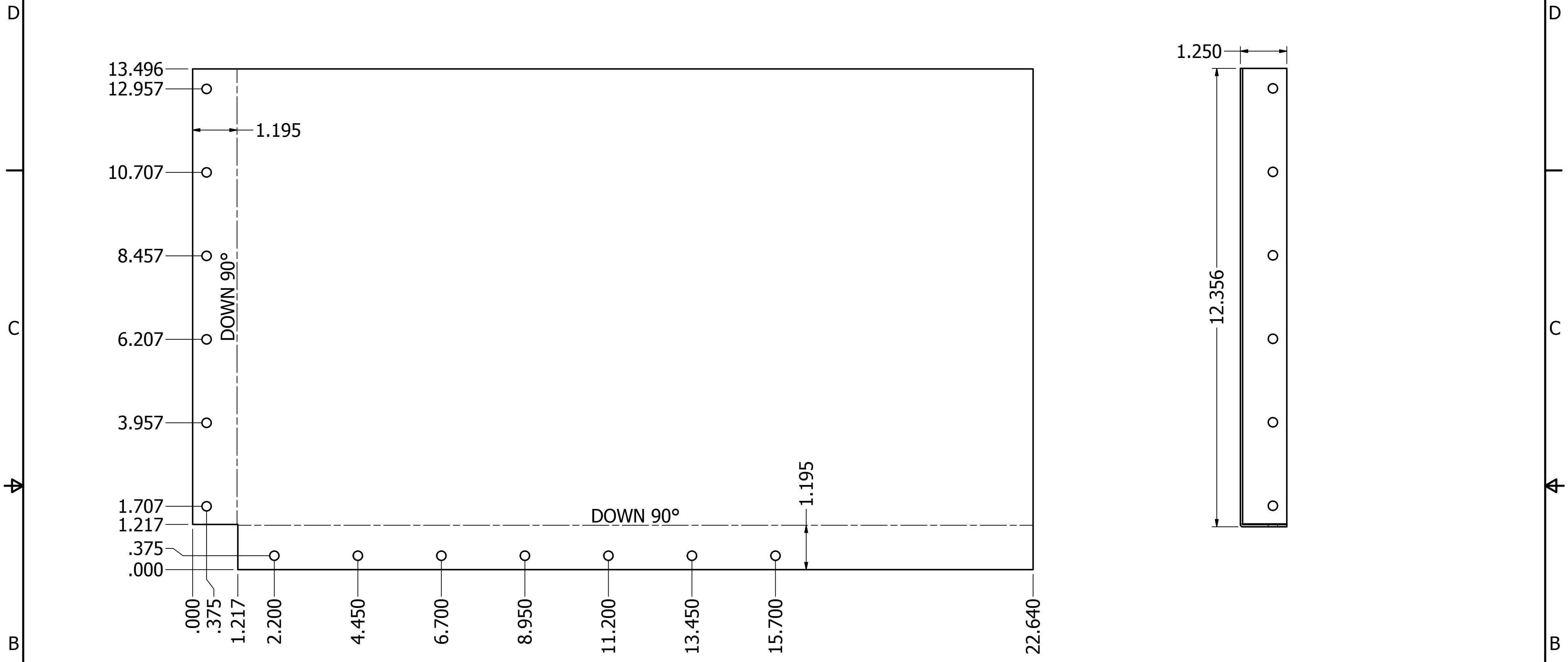
SCALE FACTOR: 1.000"=	MATERIAL: 11 GA HRPO	DRAWN BY: SBrown
ACTUAL SCALE: .75	BEND ALLOWANCE: 0.100	
TITLE: 96-757 (96-890) SECURAMATIC TRAP RAMP PLATE		
DATE: 2/23/2015	DRAWING NUMBER: ST-05	REVISION:

THESE DRAWINGS ARE THE PROPERTY OF HAMILTON SAFE CO. AND SHALL NOT BE REPRODUCED OR COPIED OR USED AS THE BASIS FOR MANUFACTURE OR SALE OF APPARATUS WITHOUT PERMISSION

TOLERANCES UNLESS OTHERWISE NOTED:
 FRACTIONS: ± 1/64"
 DECIMALS: ± 0.010
 ANGLES: ± 1/2°

LASER STARTS: CUT LENGTH: # BENDS: SECOND OPERATIONS: BLANK SIZE: 22.640 in X 13.496 in

G:\SC US Engineering\SC US Mason\DEPOSITORY HEADS\98 RH-20" FLAT FACE\DESIGN\98RH 20" FLAT FACE REPLACEMENT KITS\96-757 SECURAMATIC TRAP\ST-07 CHUTE RIGHT SIDE.ipt



THESE DRAWINGS ARE THE PROPERTY OF HAMILTON SAFE CO. AND SHALL NOT BE REPRODUCED OR COPIED OR USED AS THE BASIS FOR MANUFACTURE OR SALE OF APPARATUS WITHOUT PERMISSION

TOLERANCES UNLESS OTHERWISE NOTED:
 FRACTIONS: ± 1/64"
 DECIMALS: ± 0.010
 ANGLES: ± 1/2°

1 REQ. PER UNIT

HAMILTON SAFE

SCALE FACTOR: 1.000"=	MATERIAL: 16 GA HRPO	DRAWN BY: SBrown
ACTUAL SCALE: .5	BEND ALLOWANCE: 0.055	
TITLE: 96-757 (96-890) SECURAMATIC TRAP CHUTE RIGHT SIDE		
DATE: 2/23/2015	DRAWING NUMBER: ST-07	REVISION:

D
C
B
A

D
C
B
A

4 3 2 1

4 3 2 1

LASER STARTS:

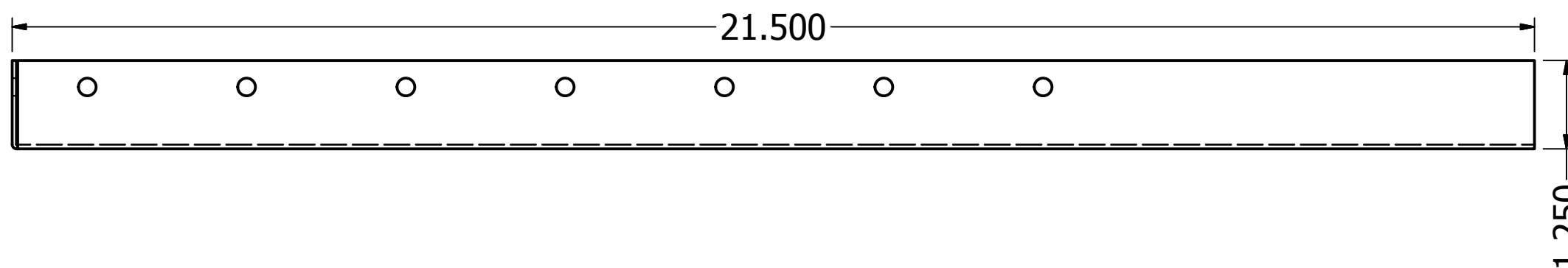
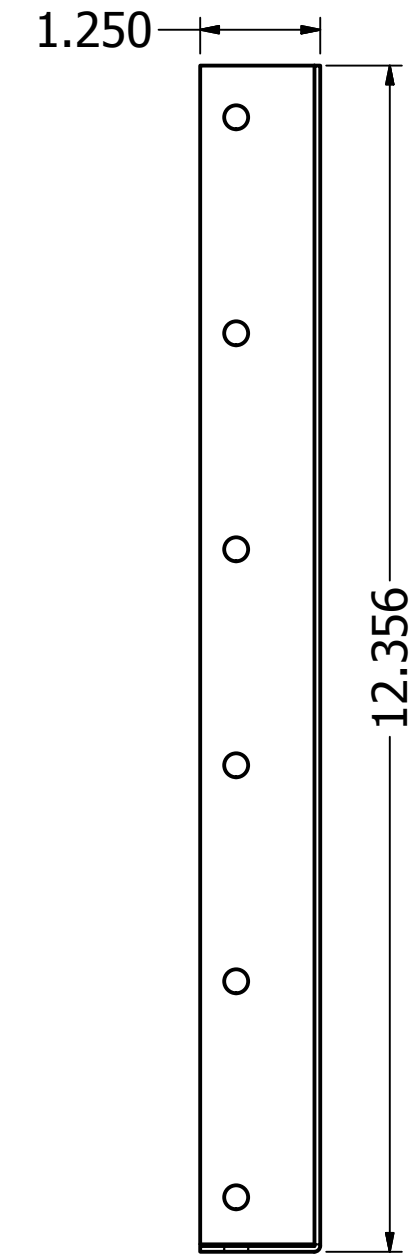
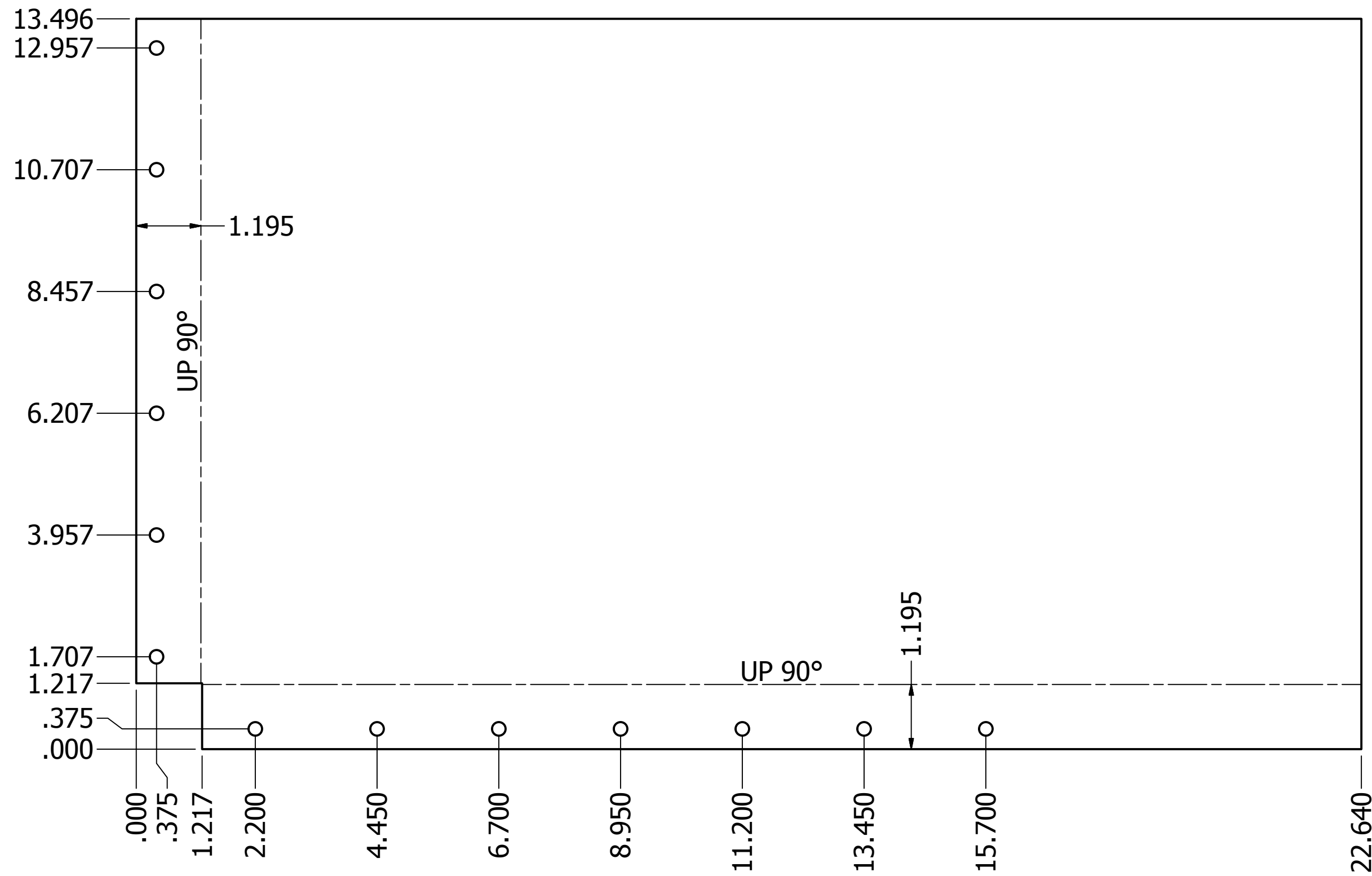
CUT LENGTH:

BENDS:

SECOND OPERATIONS:

BLANK SIZE: 22.640 in X 13.496 in

G:\SC US Engineering\SC US Mason\DEPOSITORY HEADS\98 RH-20" FLAT FACE\DESIGN\98RH 20" FLAT FACE REPLACEMENT KITS\96-757 SECURAMATIC TRAP\ST-08 CHUTE LEFT SIDE.ipt



THESE DRAWINGS ARE THE PROPERTY OF HAMILTON SAFE CO. AND SHALL NOT BE REPRODUCED OR COPIED OR USED AS THE BASIS FOR MANUFACTURE OR SALE OF APPARATUS WITHOUT PERMISSION

TOLERANCES UNLESS OTHERWISE NOTED:
 FRACTIONS: ± 1/64"
 DECIMALS: ± 0.010
 ANGLES: ± 1/2°

1 REQ. PER UNIT

HAMILTON SAFE

SCALE FACTOR: 1.000"=	MATERIAL: 16 GA HRPO	DRAWN BY: SBrown
ACTUAL SCALE: .5		BEND ALLOWANCE: 0.055
TITLE: 96-757 (96-890) SECURAMATIC TRAP CHUTE LEFT SIDE		
DATE: 2/23/2015	DRAWING NUMBER: ST-08	REVISION:

LASER STARTS:

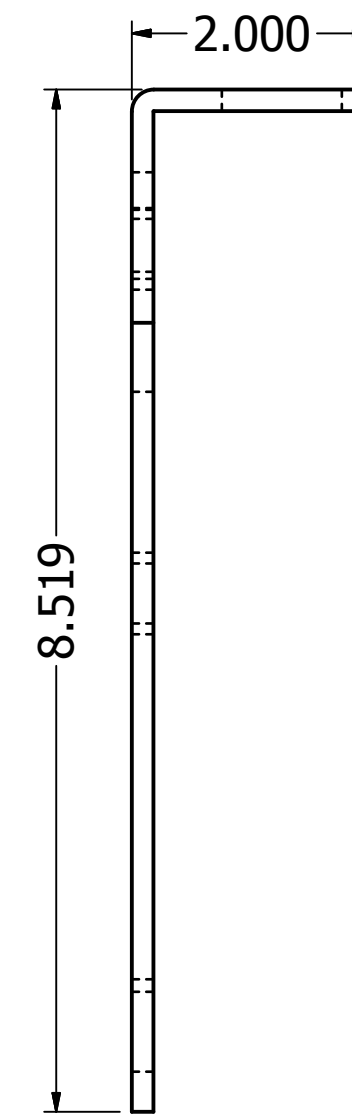
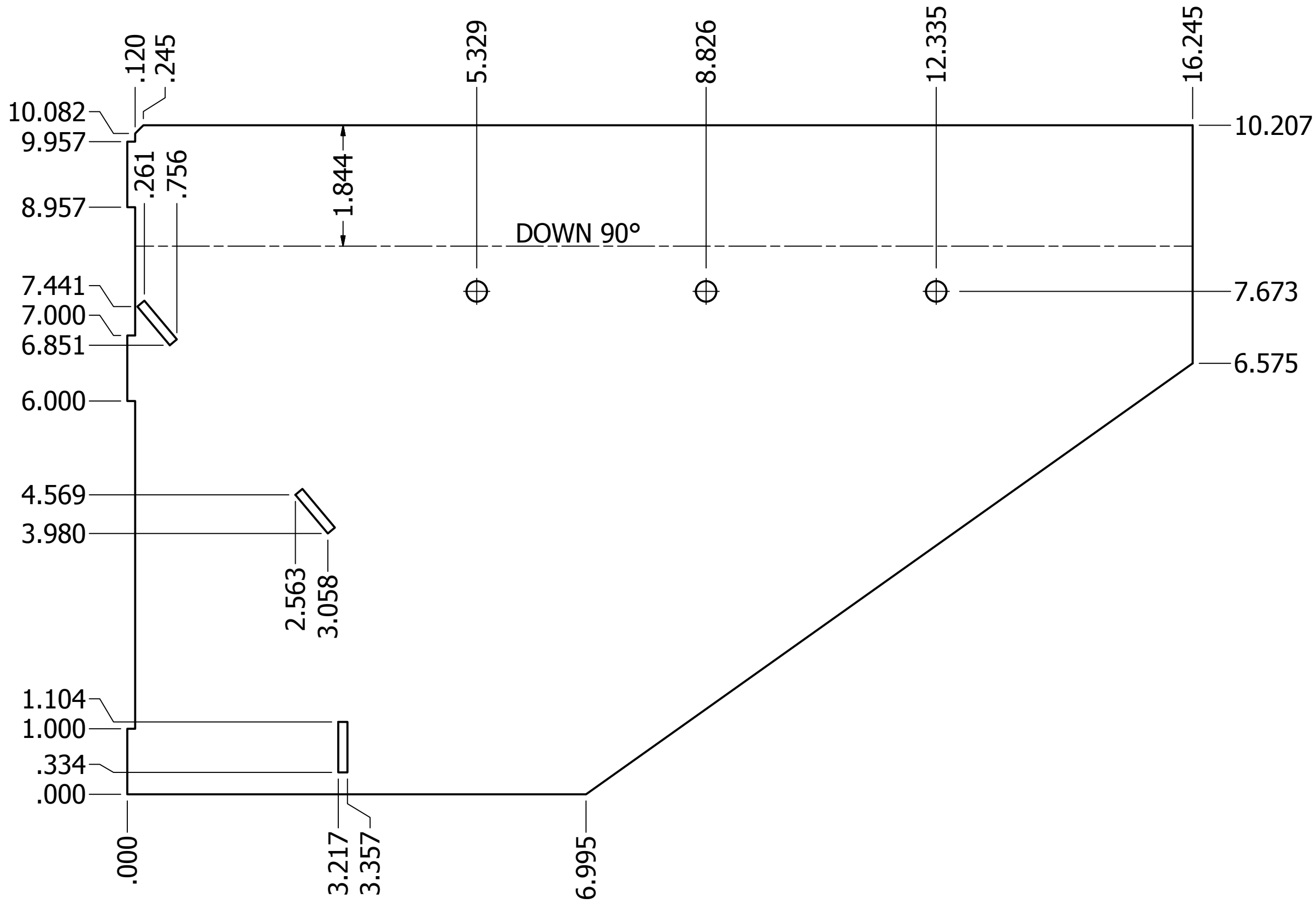
CUT LENGTH:

BENDS:

SECOND OPERATIONS:

BLANK SIZE: 16.245 in X 10.207 in

G:\SC US Engineering\SC US Mason\DEPOSITORY HEADS\98 RH-20" FLAT FACE\DESIGN\98RH 20" FLAT FACE REPLACEMENT KITS\96-757 SECURAMATIC TRAP\ST-09 RIGHT SIDE MOUNT.ipt



1 REQ. PER UNIT

HAMILTON SAFE

SCALE FACTOR: 1.000"=	MATERIAL: 7 GA HRPO	DRAWN BY: SBrown
ACTUAL SCALE: .625	BEND ALLOWANCE: 0.156	
TITLE: 96-757 (96-890) SECURAMATIC TRAP RIGHT SIDE MOUNT		
DATE: 2/23/2015	DRAWING NUMBER: ST-09	REVISION:

THESE DRAWINGS ARE THE PROPERTY OF HAMILTON SAFE CO. AND SHALL NOT BE REPRODUCED OR COPIED OR USED AS THE BASIS FOR MANUFACTURE OR SALE OF APPARATUS WITHOUT PERMISSION

TOLERANCES UNLESS OTHERWISE NOTED:
 FRACTIONS: ± 1/64"
 DECIMALS: ± 0.010
 ANGLES: ± 1/2°

LASER STARTS:

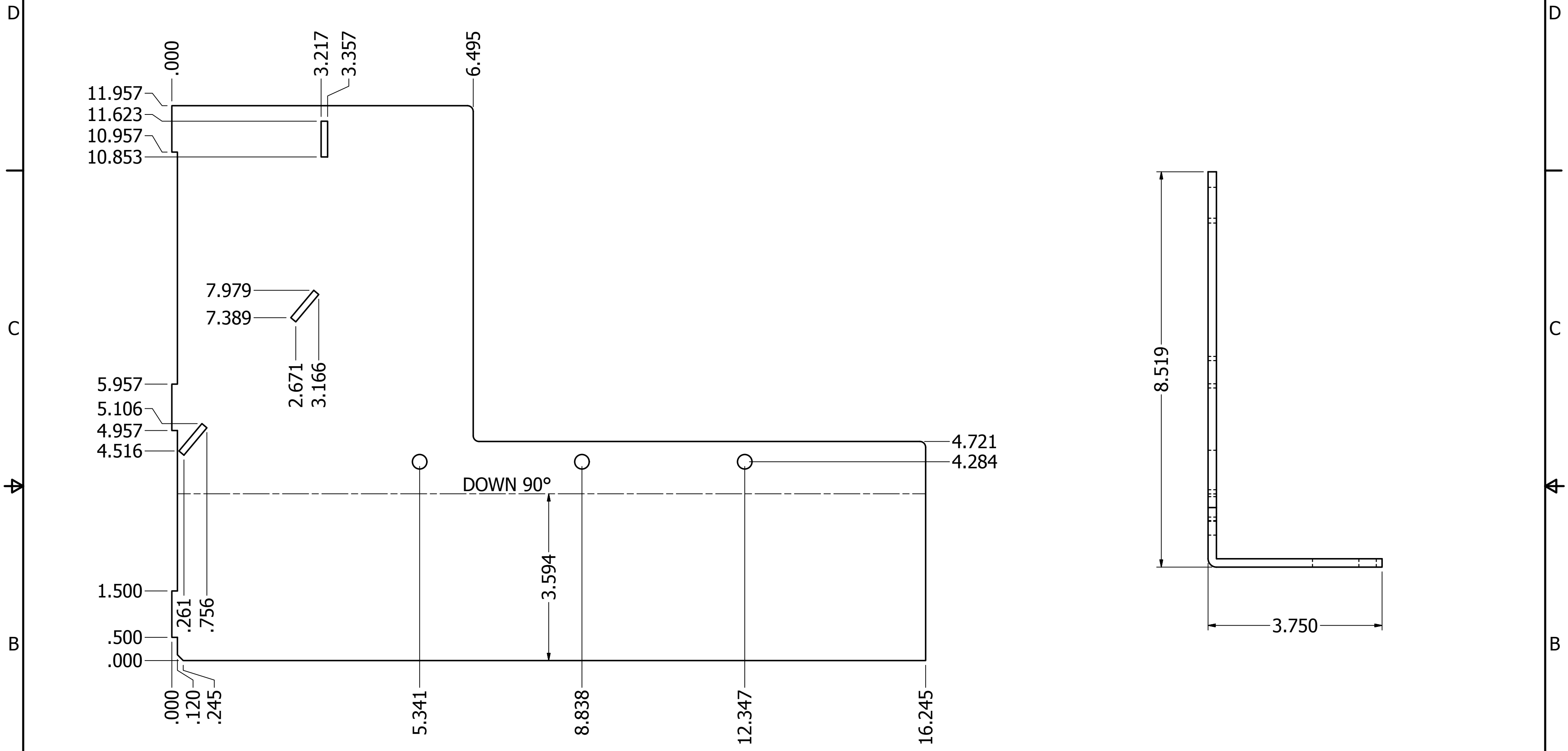
CUT LENGTH:

BENDS:

SECOND OPERATIONS:

BLANK SIZE: 16.245 in X 11.957 in

G:\SC US Engineering\SC US Mason\DEPOSITORY HEADS\98 RH-20" FLAT FACE\DESIGN\98RH 20" FLAT FACE REPLACEMENT KITS\96-757 SECURAMATIC TRAP\ST-10 LEFT SIDE MOUNT.ipt



1 REQ. PER UNIT

HAMILTON SAFE

SCALE FACTOR: 1.000"=	MATERIAL: 7 GA HRPO	DRAWN BY: SBrown
ACTUAL SCALE: .625	BEND ALLOWANCE: .0156	
TITLE: 96-757 (96-890) SECURAMATIC TRAP LEFT SIDE MOUNT		
DATE: 2/23/2015	DRAWING NUMBER: ST-10	REVISION:

THESE DRAWINGS ARE THE PROPERTY OF HAMILTON SAFE CO. AND SHALL NOT BE REPRODUCED OR COPIED OR USED AS THE BASIS FOR MANUFACTURE OR SALE OF APPARATUS WITHOUT PERMISSION

TOLERANCES UNLESS OTHERWISE NOTED:
 FRACTIONS: ± 1/64"
 DECIMALS: ± 0.010
 ANGLES: ± 1/2°

LASER STARTS:

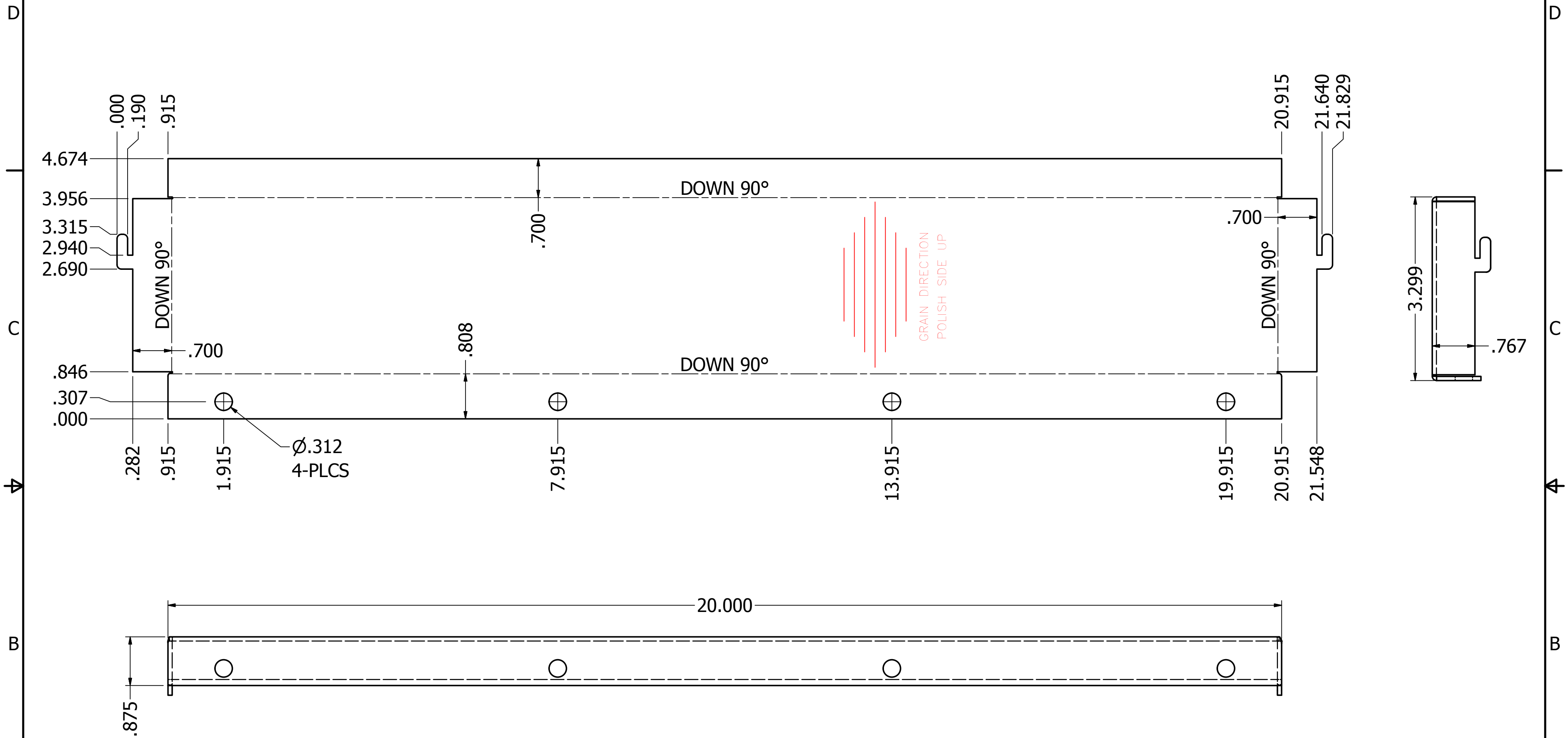
CUT LENGTH:

BENDS:

SECOND OPERATIONS:

BLANK SIZE: 21.829 in X 4.674 in

G:\SC US Engineering\SC US Mason\DEPOSITORY HEADS\98 RH-20" FLAT FACE\DESIGN\98RH 20" FLAT FACE REPLACEMENT KITS\96-757 SECURAMATIC TRAP\ST-12 BOTTOM FASCIA.ipt



1 REQ. PER UNIT

HAMILTON SAFE

SCALE FACTOR: 1.000"=	MATERIAL: 14 GA SS	DRAWN BY: SBrown
ACTUAL SCALE: .75		BEND ALLOWANCE: 0.067
TITLE: 96-757 (96-890) SECURAMATIC TRAP BOTTOM FASCIA		
TOLERANCES UNLESS OTHERWISE NOTED: FRACTIONS: ± 1/64" DECIMALS: ± 0.010 ANGLES: ± 1/2°	DATE: 2/23/2015	DRAWING NUMBER: ST-12
		REVISION

THESE DRAWINGS ARE THE PROPERTY OF HAMILTON SAFE CO. AND SHALL NOT BE REPRODUCED OR COPIED OR USED AS THE BASIS FOR MANUFACTURE OR SALE OF APPARATUS WITHOUT PERMISSION

A

A

4

3

4

2

1

D

D

C

C

B

B

A

A

LASER STARTS:

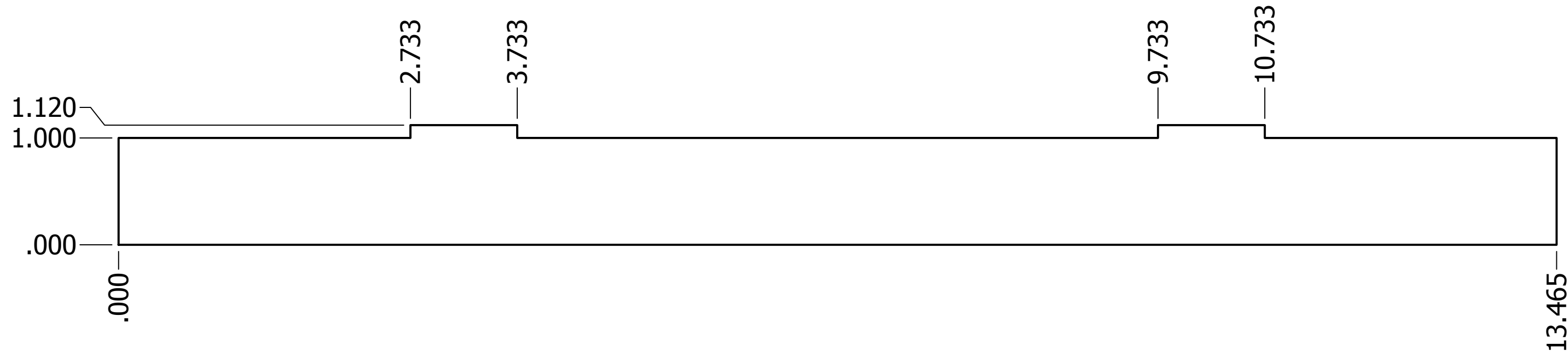
CUT LENGTH:

BENDS:

SECOND OPERATIONS:

BLANK SIZE: 13.465 in X 1.120 in

G:\SC US Engineering\SC US Mason\DEPOSITORY HEADS\98 RH-20" FLAT FACE\DESIGN\98RH 20" FLAT FACE REPLACEMENT KITS\96-757 SECURAMATIC TRAP\ST-13 SUPPORT PLATE.ipt



1 REQ. PER UNIT

HAMILTON SAFE

SCALE FACTOR: 1.000"=	MATERIAL: 7 GA HRPO	DRAWN BY: SBrown
ACTUAL SCALE: 1	BEND ALLOWANCE: 0.156	

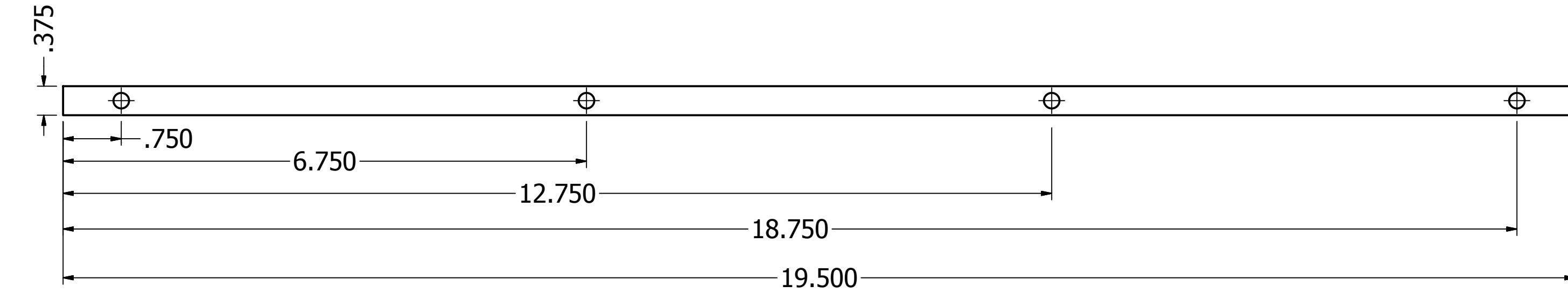
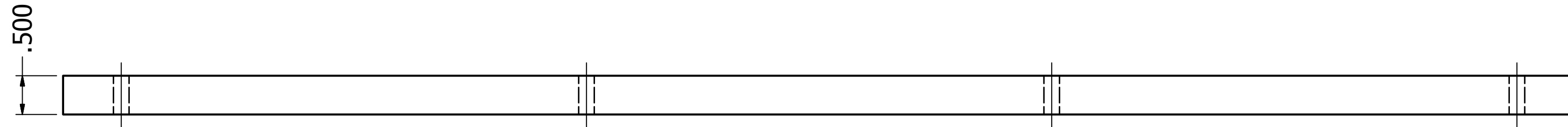
TITLE: 96-757 (96-890) SECURAMATIC TRAP SUPPORT PLATE

THESE DRAWINGS ARE THE PROPERTY OF HAMILTON SAFE CO. AND SHALL NOT BE REPRODUCED OR COPIED OR USED AS THE BASIS FOR MANUFACTURE OR SALE OF APPARATUS WITHOUT PERMISSION

TOLERANCES UNLESS OTHERWISE NOTED: FRACTIONS: ± 1/64" DECIMALS: ± 0.010 ANGLES: ± 1/2°	DATE: 2/23/2015	DRAWING NUMBER: ST-13	REVISION:
---	-----------------	-----------------------	-----------

LASER STARTS:	CUT LENGTH:	# BENDS:	SECOND OPERATIONS:	BLANK SIZE: N/A X N/A
---------------	-------------	----------	--------------------	-----------------------

G:\SC US Engineering\SC US Mason\DEPOSITORY HEADS\98 RH-20" FLAT FACE\DESIGN\98RH 20" FLAT FACE REPLACEMENT KITS\96-757 SECURAMATIC TRAP\ST-14 SUPPORT BAR.ipt



1 REQ. PER UNIT

HAMILTON SAFE

SCALE FACTOR: 1.000"=	3/8" X 1/2" CR BAR	DRAWN BY: SBrown
ACTUAL SCALE: .75		BEND ALLOWANCE:
TITLE: 96-757 (96-890) SECURAMATIC TRAP SUPPORT BAR		
TOLERANCES UNLESS OTHERWISE NOTED: FRACTIONS: ± 1/64" DECIMALS: ± 0.010 ANGLES: ± 1/2°	DATE: 2/23/2015	DRAWING NUMBER: ST-14
		REVISION

THESE DRAWINGS ARE THE PROPERTY OF HAMILTON SAFE CO. AND SHALL NOT BE REPRODUCED OR COPIED OR USED AS THE BASIS FOR MANUFACTURE OR SALE OF APPARATUS WITHOUT PERMISSION

D
C
B
A

D
C
B
A

4 3 2 1

4 3 2 1

LASER STARTS:

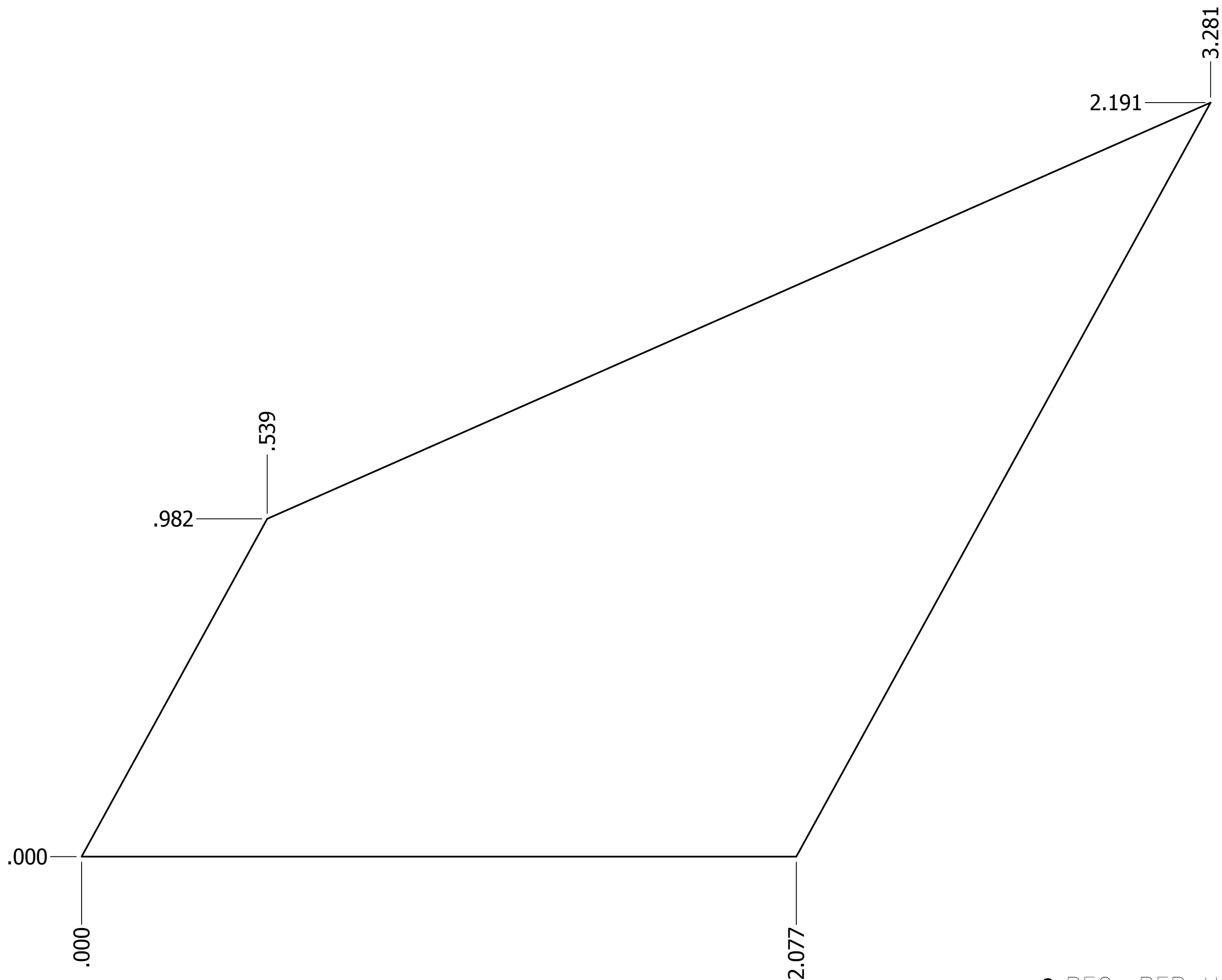
CUT LENGTH:

BENDS:

SECOND OPERATIONS:

BLANK SIZE: 3.281 in X 2.191 in

G:\SC US Engineering\SC US Mason\DEPOSITORY HEADS\98 RH-20" FLAT FACE\DESIGN\98RH 20" FLAT FACE REPLACEMENT KITS\96-757 SECURAMATIC TRAP\ST-15 GUSSETT.ipt



2 REQ. PER UNIT

HAMILTON SAFE

SCALE FACTOR: 1.000"=	MATERIAL: 7 GA HRPO	DRAWN BY: SBrown
ACTUAL SCALE: 4	BEND ALLOWANCE: 0.156	
TITLE: 96-757 (96-890) SECURAMATIC TRAP GUSSETT		
DATE: 2/23/2015	DRAWING NUMBER: ST-15	REVISION:

THESE DRAWINGS ARE THE PROPERTY OF HAMILTON SAFE CO. AND SHALL NOT BE REPRODUCED OR COPIED OR USED AS THE BASIS FOR MANUFACTURE OR SALE OF APPARATUS WITHOUT PERMISSION

TOLERANCES UNLESS OTHERWISE NOTED:
 FRACTIONS: ± 1/64"
 DECIMALS: ± 0.010
 ANGLES: ± 1/2°

D

C

B

A

D

C

B

A

4

3

2

1

4

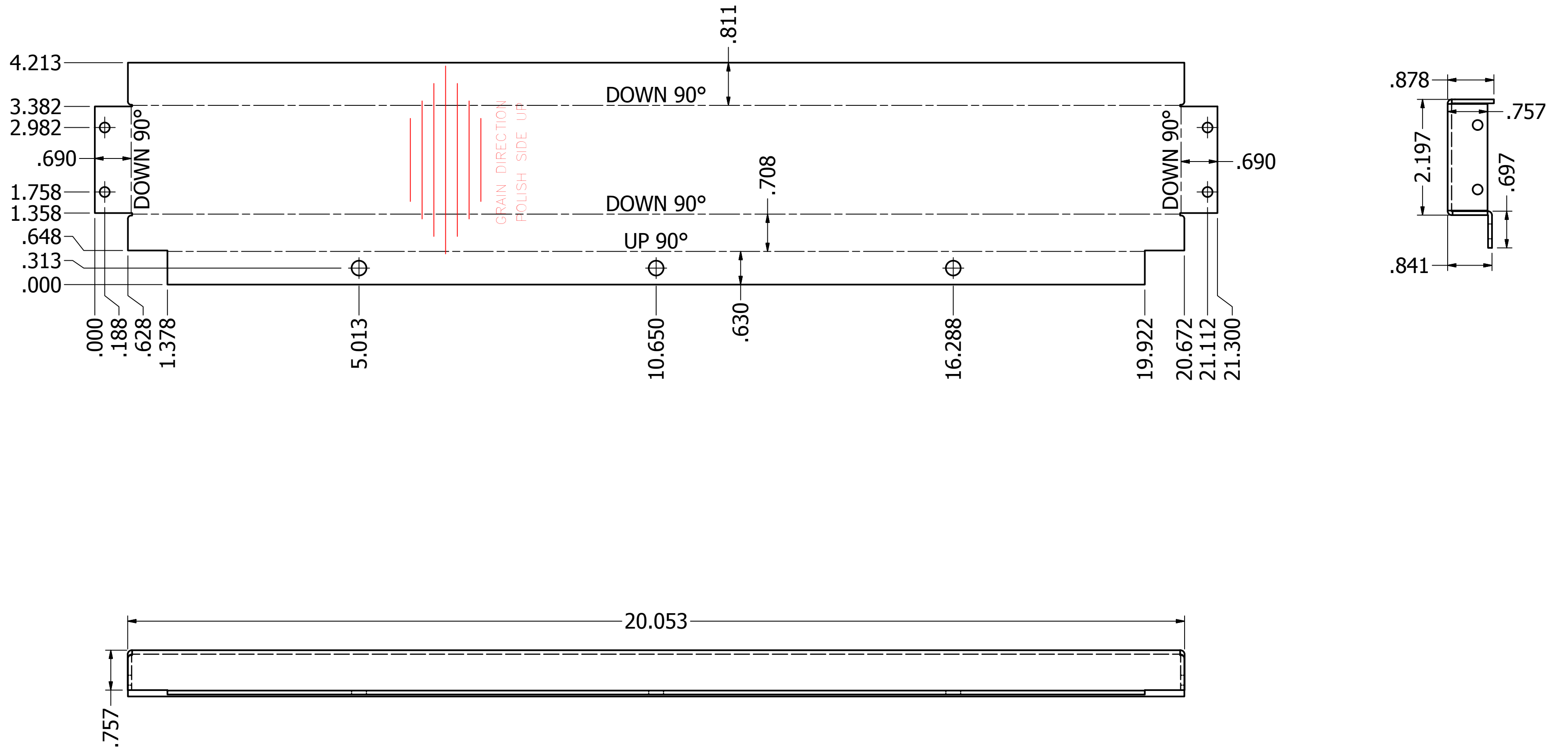
3

2

1

LASER STARTS: CUT LENGTH: # BENDS: SECOND OPERATIONS: BLANK SIZE: 21.300 in X 4.213 in

G:\SC US Engineering\SC US Mason\DEPOSITORY HEADS\98 RH-20" FLAT FACE\DESIGN\98RH 20" FLAT FACE REPLACEMENT KITS\96-757 SECURAMATIC TRAP\ST-16 SS FASCIA TOP.ipt



1 REQ. PER UNIT

HAMILTON SAFE

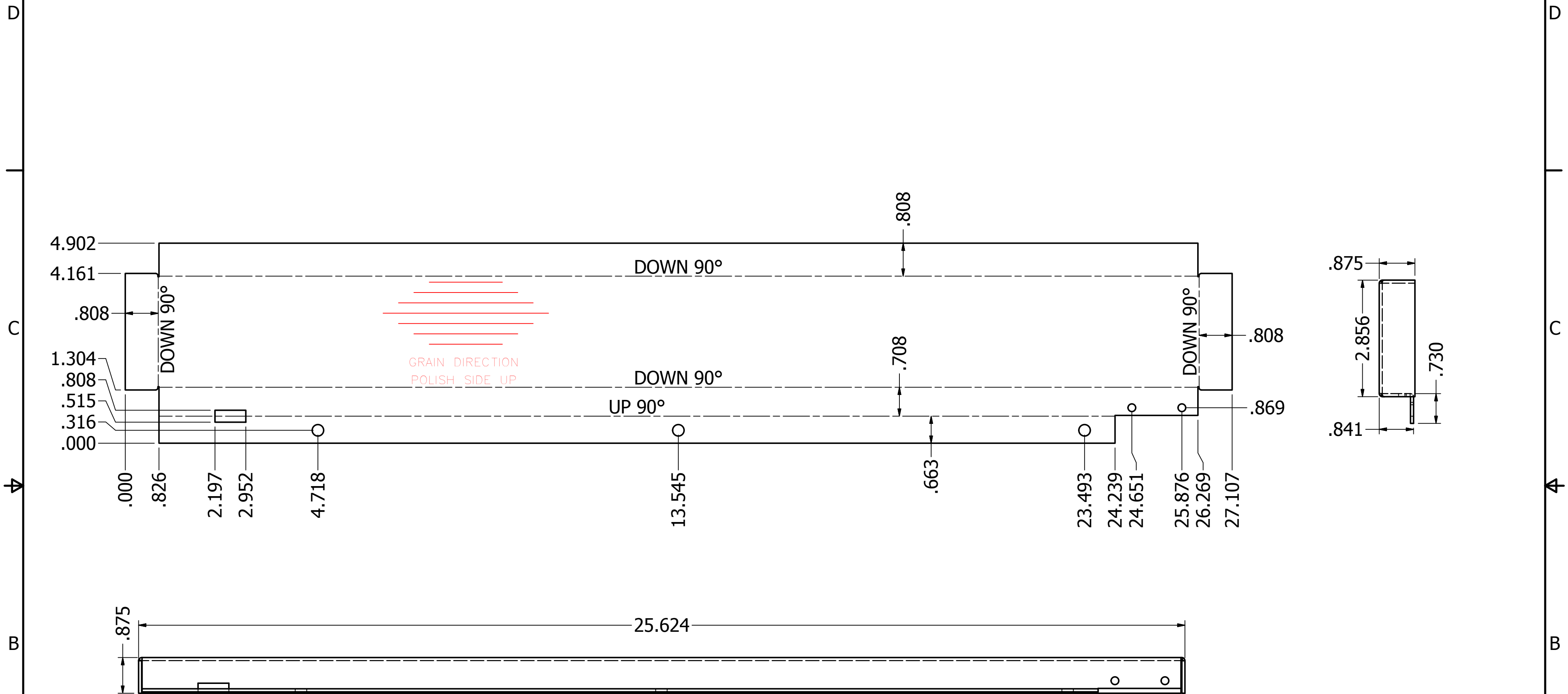
SCALE FACTOR: 1.000"=	MATERIAL: 14 GA SS	DRAWN BY: SBrown
ACTUAL SCALE: .625		BEND ALLOWANCE: 0.067
TITLE: 96-757 (96-890) SECURAMATIC TRAP SS FASCIA TOP		
DATE: 2/23/2015	DRAWING NUMBER: ST-16	REVISION:

THESE DRAWINGS ARE THE PROPERTY OF HAMILTON SAFE CO. AND SHALL NOT BE REPRODUCED OR COPIED OR USED AS THE BASIS FOR MANUFACTURE OR SALE OF APPARATUS WITHOUT PERMISSION

TOLERANCES UNLESS OTHERWISE NOTED:
 FRACTIONS: ± 1/64"
 DECIMALS: ± 0.010
 ANGLES: ± 1/2°

LASER STARTS: CUT LENGTH: # BENDS: SECOND OPERATIONS: BLANK SIZE: 27.107 in X 4.902 in

G:\SC US Engineering\SC US Mason\DEPOSITORY HEADS\98 RH-20" FLAT FACE\DESIGN\98RH 20" FLAT FACE REPLACEMENT KITS\96-757 SECURAMATIC TRAP\ST-18 SS FASCIA LEFT SIDE.ipt



1 REQ. PER UNIT

HAMILTON SAFE

SCALE FACTOR: 1.000"=	MATERIAL: 14 GA SS	DRAWN BY: SBrown
ACTUAL SCALE: .55		BEND ALLOWANCE: 0.067
TITLE: 96-757 (96-890) SECURAMATIC TRAP SS FASCIA LEFT SIDE		
DATE: 2/23/2015	DRAWING NUMBER: ST-18	REVISION:

THESE DRAWINGS ARE THE PROPERTY OF HAMILTON SAFE CO. AND SHALL NOT BE REPRODUCED OR COPIED OR USED AS THE BASIS FOR MANUFACTURE OR SALE OF APPARATUS WITHOUT PERMISSION

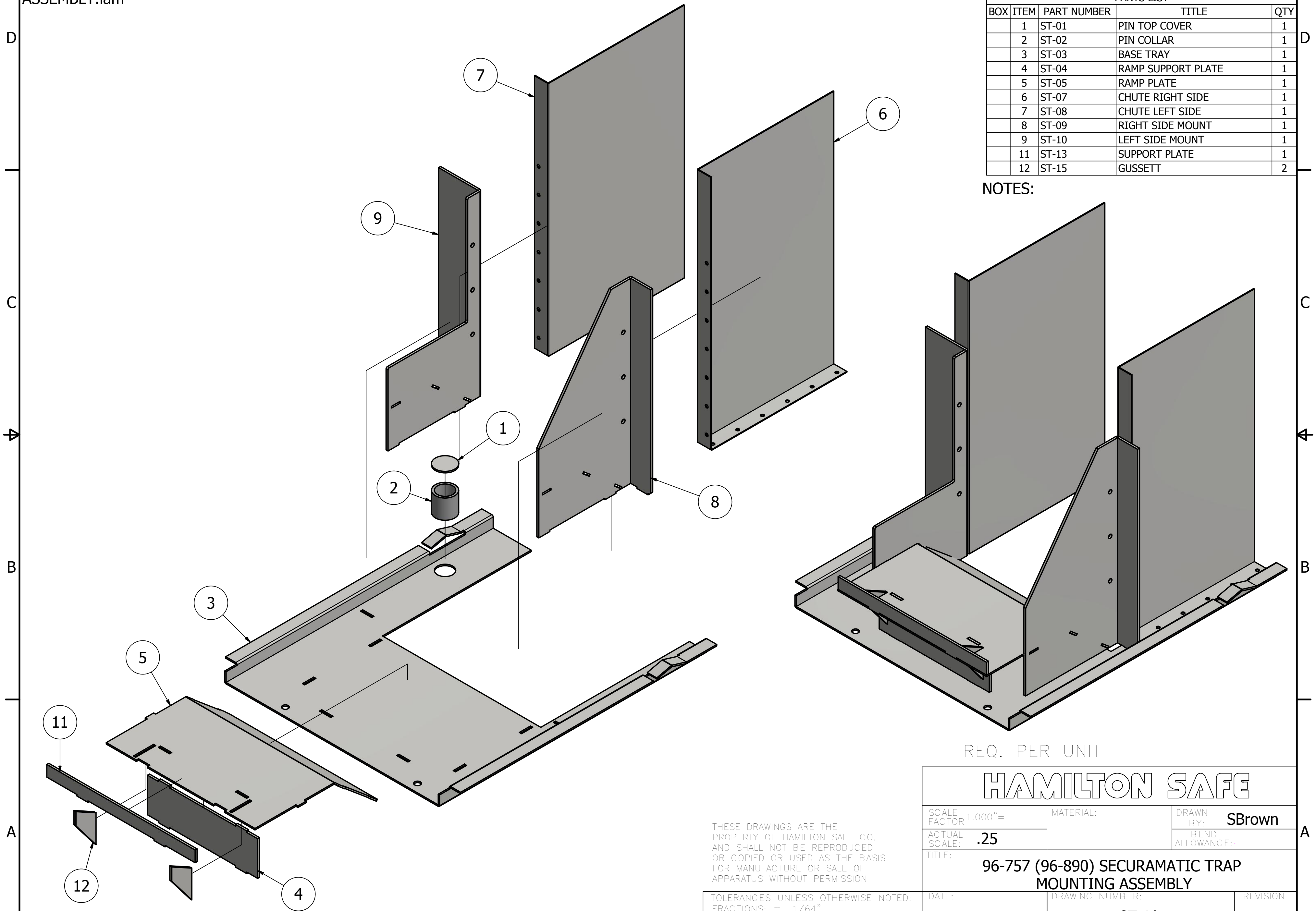
TOLERANCES UNLESS OTHERWISE NOTED:
 FRACTIONS: ± 1/64"
 DECIMALS: ± 0.010
 ANGLES: ± 1/2°

LASER STARTS: CUT LENGTH: # BENDS: SECOND OPERATIONS: BLANK SIZE: N/A X N/A

G:\SC US Engineering\SC US Mason\DEPOSITORY HEADS\98 RH-20" FLAT FACE\DESIGN\98RH 20" FLAT FACE REPLACEMENT KITS\96-757 SECURAMATIC TRAP\ST-19 MOUNTING ASSEMBLY.iam

PARTS LIST				
BOX	ITEM	PART NUMBER	TITLE	QTY
	1	ST-01	PIN TOP COVER	1
	2	ST-02	PIN COLLAR	1
	3	ST-03	BASE TRAY	1
	4	ST-04	RAMP SUPPORT PLATE	1
	5	ST-05	RAMP PLATE	1
	6	ST-07	CHUTE RIGHT SIDE	1
	7	ST-08	CHUTE LEFT SIDE	1
	8	ST-09	RIGHT SIDE MOUNT	1
	9	ST-10	LEFT SIDE MOUNT	1
	11	ST-13	SUPPORT PLATE	1
	12	ST-15	GUSSETT	2

NOTES:



REQ. PER UNIT

HAMILTON SAFE

SCALE FACTOR: 1.000"=	MATERIAL:	DRAWN BY: SBrown
ACTUAL SCALE: .25		BEND ALLOWANCE:
TITLE: 96-757 (96-890) SECURAMATIC TRAP MOUNTING ASSEMBLY		
DATE: 2/23/2015	DRAWING NUMBER: ST-19	REVISION:

THESE DRAWINGS ARE THE PROPERTY OF HAMILTON SAFE CO. AND SHALL NOT BE REPRODUCED OR COPIED OR USED AS THE BASIS FOR MANUFACTURE OR SALE OF APPARATUS WITHOUT PERMISSION

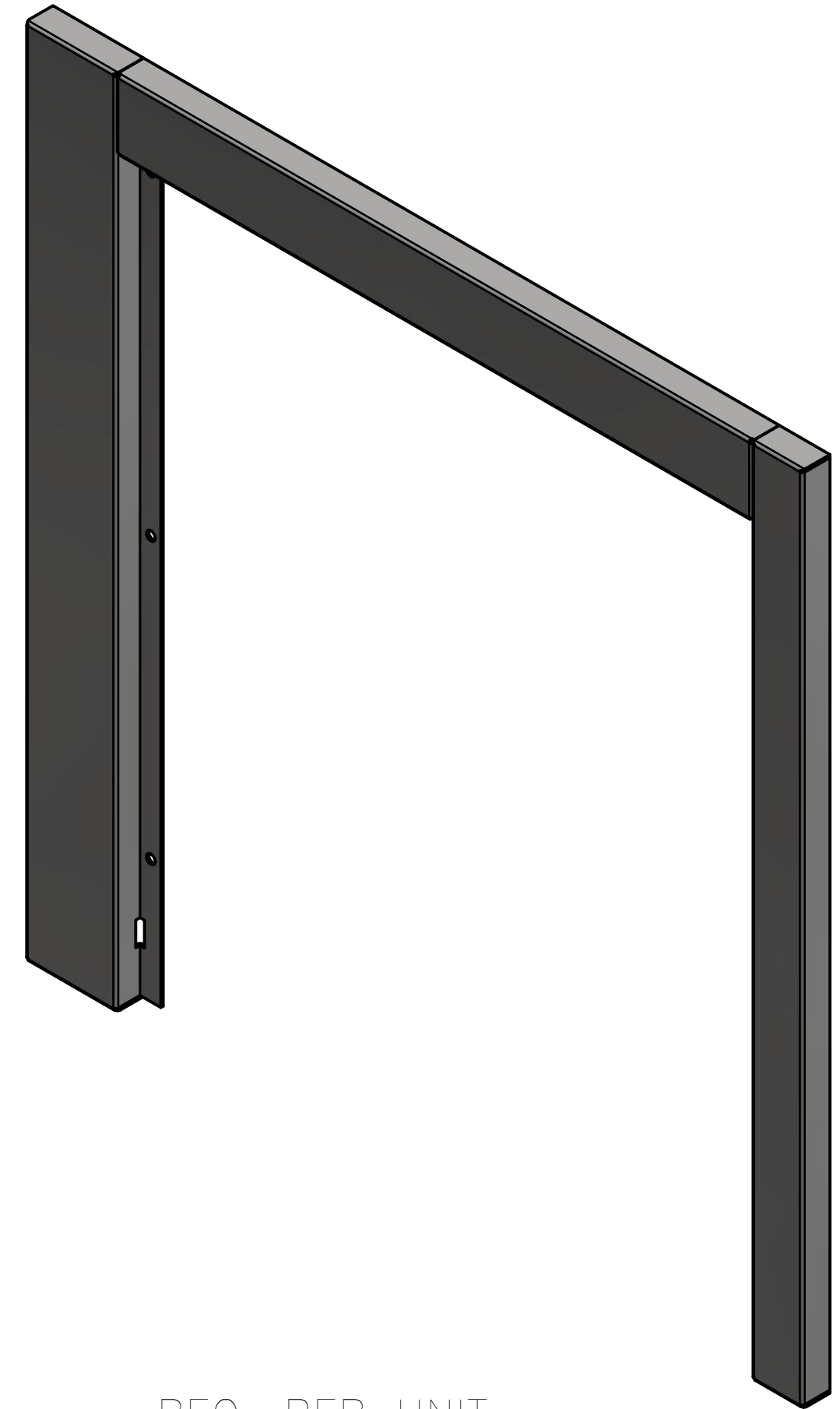
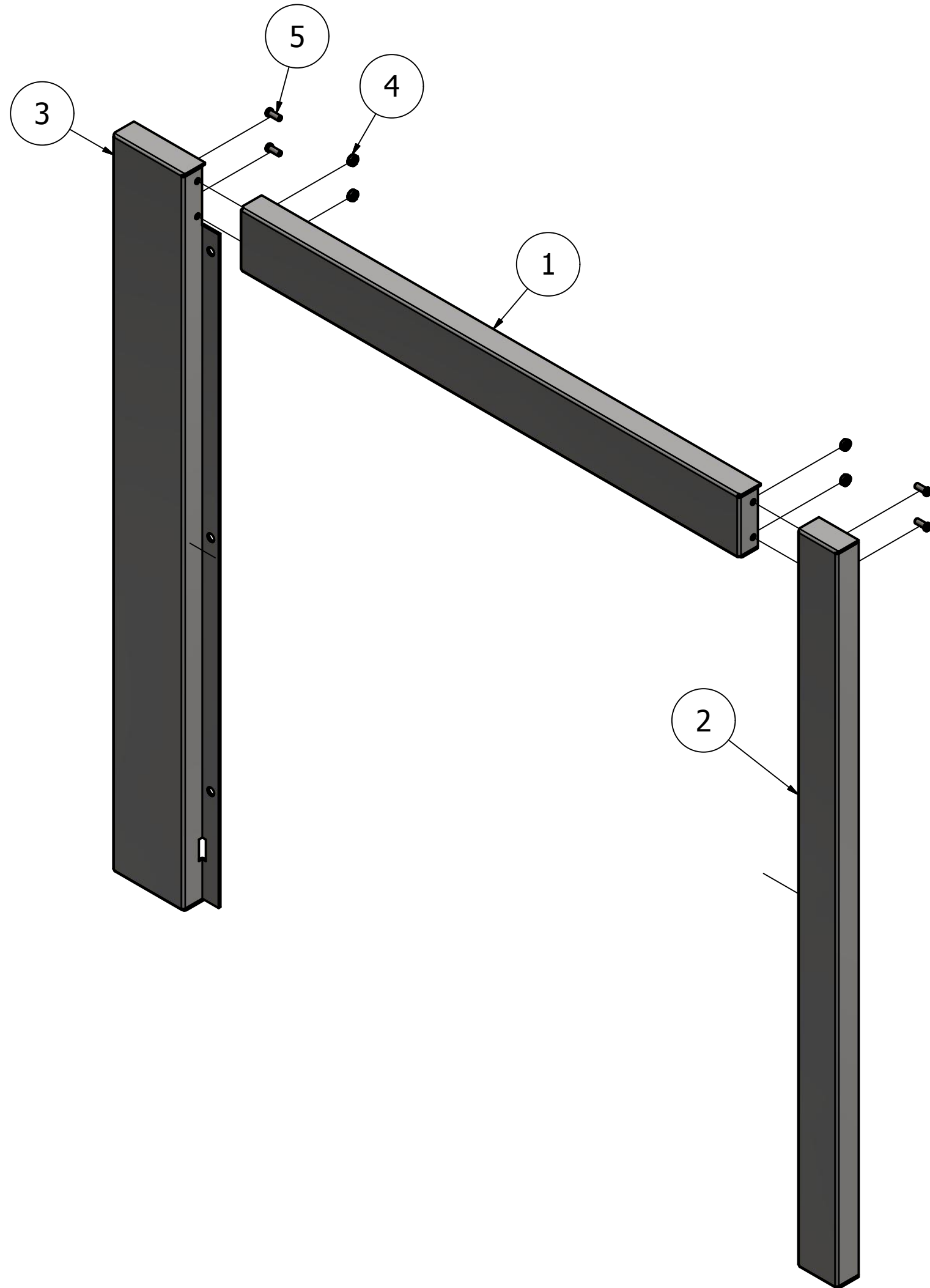
TOLERANCES UNLESS OTHERWISE NOTED:
 FRACTIONS: ± 1/64"
 DECIMALS: ± 0.010
 ANGLES: ± 1/2°

LASER STARTS: CUT LENGTH: # BENDS: SECOND OPERATIONS: BLANK SIZE: N/A X N/A

G:\SC US Engineering\SC US Mason\DEPOSITORY HEADS\98 RH-20" FLAT FACE\DESIGN\98RH 20" FLAT FACE REPLACEMENT KITS\96-757 SECURAMATIC TRAP\ST-20 FASCIA ASSEMBLY.iam

PARTS LIST				
BOX	ITEM	PART NUMBER	TITLE	QTY
	1	ST-16	SS FASCIA TOP	1
	2	ST-17	SS FASCIA RIGHT SIDE	1
	3	ST-18	SS FASCIA LEFT SIDE	1
	4	A00013	8 - 32 KEEPS NUT	4
	5	KCS8C50/S	LOW HX-SHCS 8-32 X .5	4

NOTES:



REQ. PER UNIT

HAMILTON SAFE

SCALE FACTOR: 1.000"=	MATERIAL:	DRAWN BY: SBrown
ACTUAL SCALE: .3		BEND ALLOWANCE:
TITLE: 96-757 (96-890) SECURAMATIC TRAP FASCIA ASSEMBLY		
DATE: 2/23/2015	DRAWING NUMBER: ST-20	REVISION:

THESE DRAWINGS ARE THE PROPERTY OF HAMILTON SAFE CO. AND SHALL NOT BE REPRODUCED OR COPIED OR USED AS THE BASIS FOR MANUFACTURE OR SALE OF APPARATUS WITHOUT PERMISSION

TOLERANCES UNLESS OTHERWISE NOTED:
 FRACTIONS: ± 1/64"
 DECIMALS: ± 0.010
 ANGLES: ± 1/2°

D
C
B
A

D
C
B
A

4 3 2 1