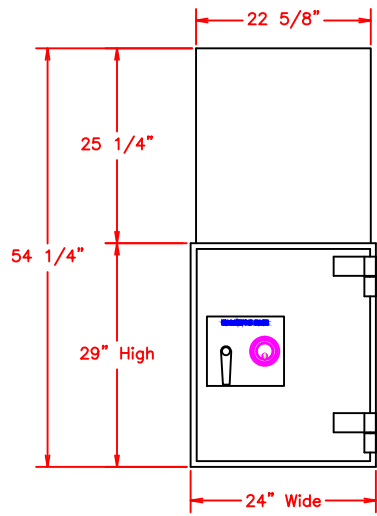
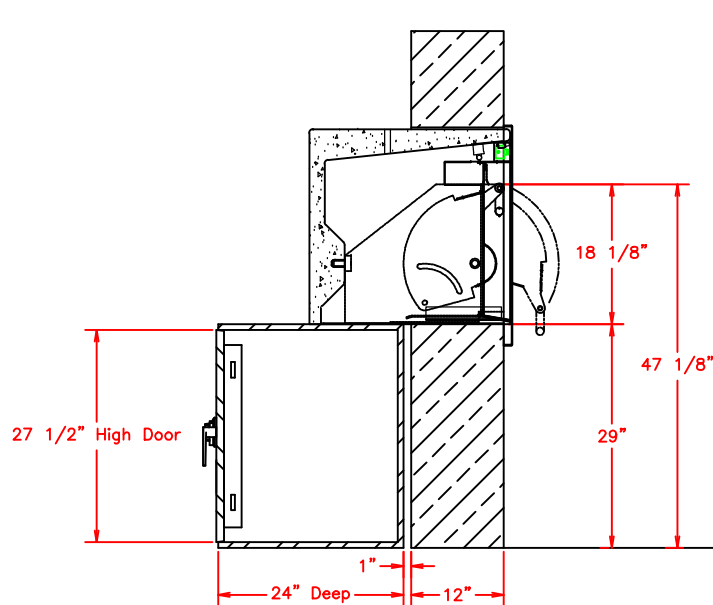


Rev - 1

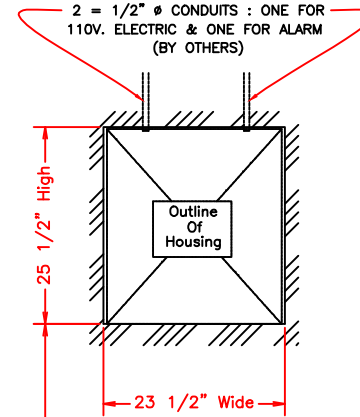
Rev - 2



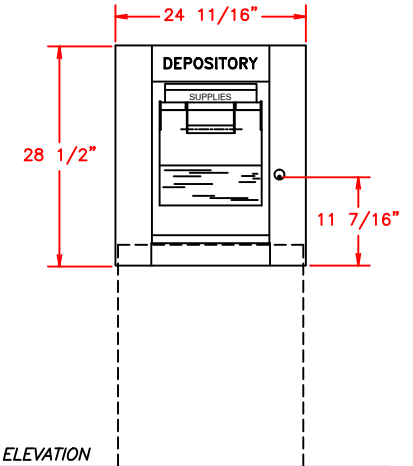
FRONT ELEVATION



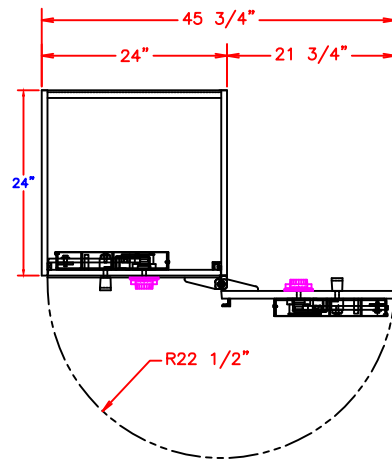
SECTION



MASONRY DETAIL



EXTERIOR



PLAN

DEPOSITORY HEAD:
 1 = 80UC UL LISTED NIGHT DEPOSITORY HEAD
 1 = SECURE CONCRETE HOUSING

TL-15 CHEST "STEEL" 29 X 24 X 24, RIGHT SWING

KEYLOCKING COMBINATION LOCK ON OUTER CHEST DOOR

ALARM:
 1 = HEAT SENSOR AND DOOR CONTACT
 1 = ALARM HOLE

COLOR: INSTRUMENT TAN

NEW MASONRY OPENING SIZE
 25 1/2" High x 23 1/2" Wide

HAMILTON SAFE

WALK-UP CONCRETE SECURE HOUSING
 WITH RIGHT SWING TL-15 STEEL
 29"H x 24"W x 24"D CHEST

Drawing Number : 96-596 | Date : 5/14/12