

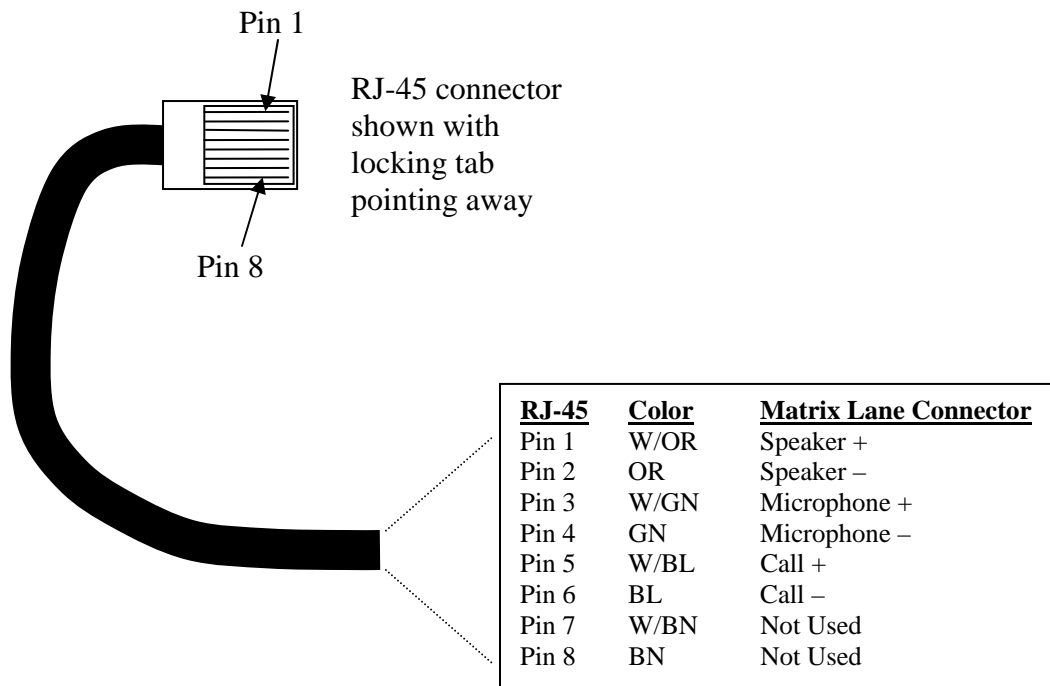
Cat 5 Remote Customer Audio Console (5571)

DESCRIPTION: The 5571 Cat 5 Remote Customer Audio Console consists of a speaker, microphone and call button in a desktop type enclosure for indoor applications. It is intended for use with Cat 5 cable and can be used for cable lengths up to 1000 feet. A 12VDC power supply is included and requires a 110VAC outlet near the 5571 location. *See the 5570 Remote Customer Audio Console for the standard audio cable version of this product. The 5570 does not require power but the cable length is limited to approximately 180 feet.*

The Remote Customer Audio Console can use the same mounting options as the 5501 Teller Console. See the 5501-HWB (Horizontal Wall Bracket), the 5501-VWB (Vertical Wall Bracket) and the B6077 (Adjustable Desktop Stand) for mounting flexibility. (See the back of this document.)

COMPATIBILITY: The Remote Customer Audio Console should only be used in systems that have 5501 or newer 5001 (rev. 5 or 3.1) teller consoles. Also feature switch #7 on the audio matrix must be set to the UP position (dynamic echo canceller learning). Avoid using 4001, 4101 or 3001 teller consoles which will result in excessive teller echo. 3301 teller consoles may be acceptable if the volume levels are not too loud.

INSTALLATION: The 5571 Remote Customer Audio Console contains a Cat 5 Lane Speaker Driver module which is prewired to the speaker, microphone and call button. Make connections with Cat 5 cable between the audio matrix and the rear of the 5571 using the following chart. Use the included power supply to provide 12VDC to the rear of the 5571. *The power supply must be close to the 5571. Do not significantly increase it's cable length.* For reference, the center pin of the power supply barrel connector is positive. A raised tab is provided on the rear of the 5571 to accept a tie-wrap for cable strain relief if desired. (See the back of this document.)





5501-HWB
Horizontal Wall Bracket



5571 Mounted to 5501-HWB



5501-VWB
Vertical Wall Bracket



5571 Mounted to 5501-VWB



B6077
Adjustable Desktop Stand



5571 Mounted to B6077



Rear of 5571 (with Cat 5 cable & power supply connected)