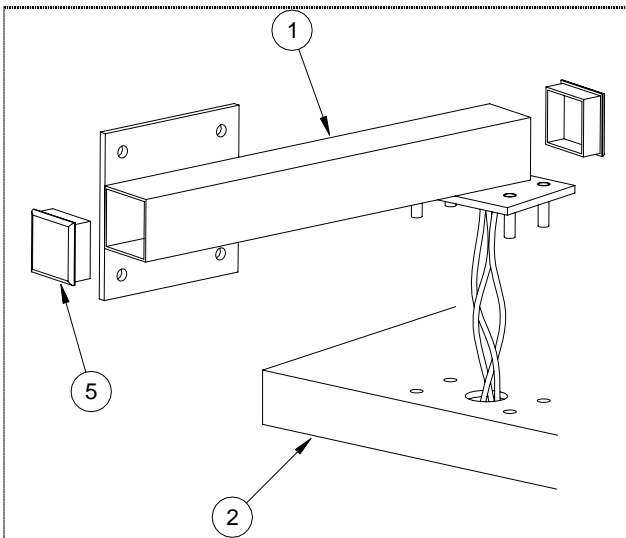


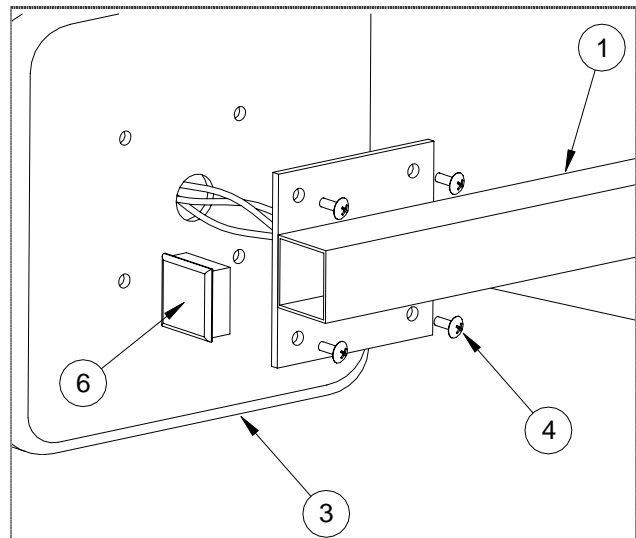
## Model 5517

### Tell-R-TV Customer unit Installation Instructions

**Step#1** Drill mounting holes in top of customer unit, as shown on template drawing #5517-TTVM1



**Step#2** Apply a small amount of silicone sealant to the bottom of the plate on the mounting arm (#1) to seal between customer unit and plate. Attach mounting arm (#1) to top of customer unit (#2) with supplied hardware.



**Step#3** Apply a small amount of silicone sealant to the mounting plate on the mounting arm (#1) to seal between TTV unit (#3) and plate. Attach TTV unit (#3) to mounting arm (#1) with supplied hardware (#4).

**Step#4** Chase wires through the mounting arm (#1) and into the TTV unit (#3) and connect all power and video as shown in electrical instructions. Test all video and power connections.

**Note:** You may want to install the cables through the arm before it is mounted.

**Step#5** Apply a small amount of silicone sealant to the end caps (#5) and (#6) and insert them into the mounting arm (#1).