

MegaPX 360 Indoor Dome

To provide full coverage of an entire area, many facilities install multiple cameras in an attempt to capture that area from every possible angle and ensure there are no blind spots. This solution can be very costly when you take into account the number of cameras, lenses, mounts, etc., required to achieve full coverage, and there could still be blind spots. The **MegaPX 360 Indoor Dome** from March Networks® is an economical, fixed indoor IP dome that provides 360° coverage of the vicinity, with 5MP resolution. The camera also features a 180° panoramic mode when mounted to a wall. The MegaPX 360's digital PTZ, with de-warping in the client, is ideal for indoor spaces where you need to see details of an entire area all at once with impressive resolution.



SMALL CAMERA, BIG PICTURE

Just one dome can deliver an overview of an entire area, such as a convenience store or bank lobby, to provide situational awareness critical to decision making.

DIGITAL PTZ

With the camera in 360° mode, you can use a digital PTZ function to see high quality video from multiple angles at the same time. The full field of view is recorded, so you can always go back and look at different areas at any time. Unlike a conventional PTZ, the 360 dome can "see where it isn't looking."

SYSTEM INTEGRATION

The MegaPX 360 Indoor Dome integrates seamlessly with March Networks 8000 Series Hybrid NVRs and Command video management software to provide convenient, browser-based management. Video is de-warped in the Command Client.

REDUNDANT RECORDING

The camera's ability to stream in parallel to an internal microSDHC card or NAS device ensures redundant recording in the event of a network outage or server failure. When used with the March Networks Command™ software and hybrid NVRs, the solution's Shadow Archiving™ feature provides seamless access to redundant video for total fail-safe management. It does this by forming a "shadow" on the central recording server of all the data available on the camera and NAS devices.

FEATURES

- 5MP image
- 360° and 180° panoramic views with digital PTZ
- Bi-directional audio, alarms and switches
- Progressive scan CMOS sensor
- Simultaneous H.264 and M-JPEG compression streams
- Shadow Archiving with microSDHC or NAS
- Active video tampering
- Easy to install; surface mount
- Power over Ethernet (PoE)

PART NUMBER

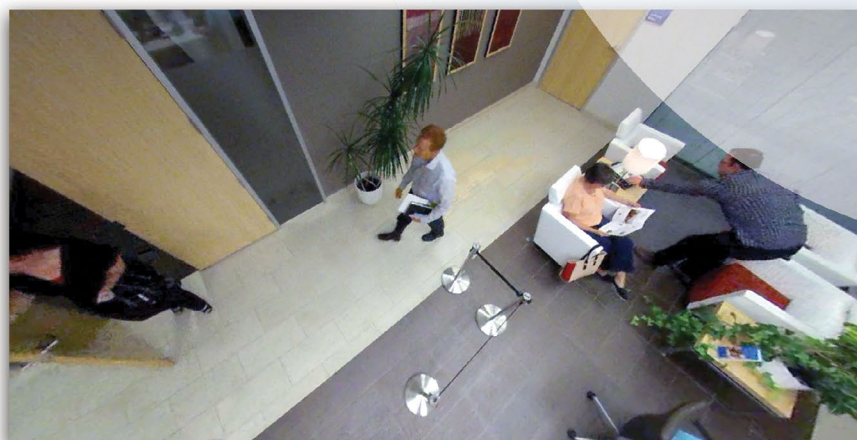
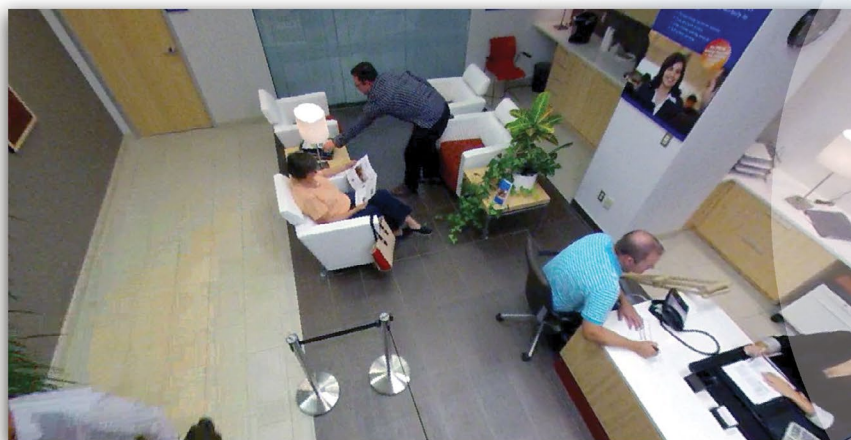
- 29253 MegaPX 360 Indoor Dome



The panoramic 360° view reduces blind spots and captures the same amount of information typically required by multiple cameras.

Our 360° panoramic camera provides you with situation awareness...

Get the big picture by ensuring all activity in the area is captured at all times.



When mounted to the wall, the camera delivers a 180° panoramic view of a wide area in impressive detail.

because the more you can see, the more you will know.



The MegaPX 360's Digital PTZ provides virtually unlimited viewing angles of an entire area from just one camera.

MegaPX 360 Indoor Dome

CAMERA

Image Sensor	1/2.5" 5MP progressive scan CMOS
Lens	1.05 mm fisheye lens, F2.8. Field of view: 180° H x 180° V
Minimum Illumination	Color 0.2 lux B/W 0.02 lux
Wide Dynamic Range	100dB
Shutter Time	1/30 to 1/8000 s

VIDEO

Video Compression	H.264, M-JPEG
Resolution	5MP (2592x1944)
Frame Rate	Up to 12 fps @ 5MP
Video Streaming	Dual-stream: H.264 on stream 1 (5MP); H.264 or M-JPEG on stream 2 (max D1) Controllable frame rate and bandwidth CBR/VBR H.264; VBR M-JPEG (quality settings)
Image Settings	Anti-flicker, white balance mode, brightness, contrast, saturation, hue, sharpness, mounting position, privacy masks, motion detection

AUDIO

Audio Streaming	Two-way
Audio Compression	G.711 PCM, G.726 ADPCM, configurable bit rate
Audio Input/Output	Mono mic in, stereo line out

NETWORK

Security	Password protection, IP address filtering, connection management, LDAP authentication, HTTPS encryption (configuration only), 802.1X
Supported Protocols	ONVIF, RTP, RTSP, RTCP, HTTP, HTTPS, IPv4, TCP, UDP, DHCP, ARP, LDAP, 802.1X

SYSTEM INTEGRATION

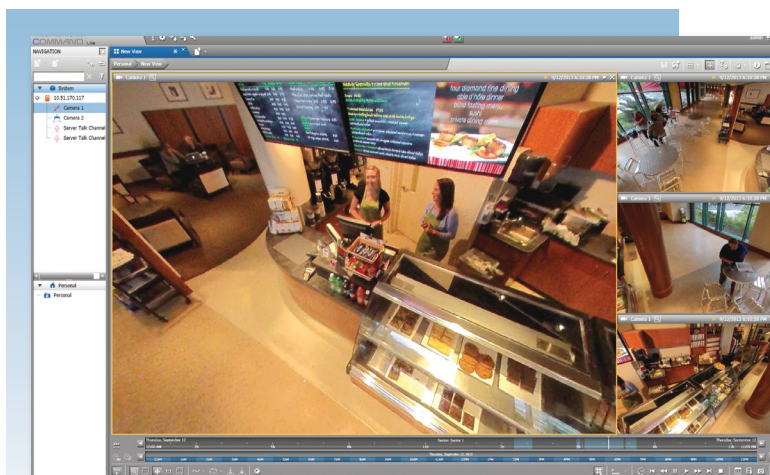
Intelligent Video	Active tampering, video motion detection
Alarm Triggers	Active tampering Video motion detection, alarm input
Alarm Events	Video recording to local storage (microSDHC); Video recording to NAS

GENERAL

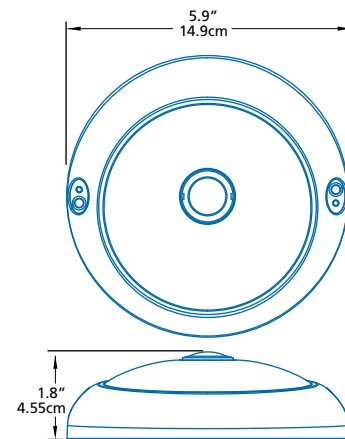
Housing	Light-weight indoor plastic housing
Power	12 VDC; 24 VAC; Power over Ethernet IEEE 802.3af Class 0
Connectors	Female RJ-45 100BASE-TX PoE, 1 alarm input, 1 alarm output, audio line in, audio line out
Local Storage	MicroSDHC memory card (not included)
Operating Conditions	14 to 122°F / -10 to 50°C 10 – 90% relative humidity non-condensing Indoor only
Regulatory Approvals	CE – EMC Directive; 2004/108/EC; Standards EN55022; EN55024; EN50130-4; FCC Part 15 Subpart B; ICES-003; RoHS Directive (2002/95/EC); C-Tick

Mechanical

Weight	.77 lb / .349 kg
Dimensions (HxD)	1.80 x 5.87 in. / 4.55 x 14.9 cm
Included Accessories	Software CD (including Installation Guide and User Manual and Browser), mounting template, plug and play cable (for audio, 12VDC, 24VAC, and alarms connections), Tamper-resistant screws



Flexible display modes allow you to set up your referred viewing angles to target specific areas of interest.



North America 1 800 563 5564
Latin America +1 613 591 8181
Europe +39 0362 17935
Asia, Hong Kong +852 2795 6540
Asia Pacific +61 1300 089 419
Middle East and Africa +971 4 399 5525

© 2013. March Networks, An Infinova Company. All rights reserved. Information in this document is subject to change without notice. MARCH NETWORKS, March Networks Command, March Networks Searchlight, Shadow Archive and the MARCH NETWORKS logo are trademarks of March Networks Corporation. Infinova is a trademark of Infinova Corporation. All other trademarks are the property of their respective owners. 060-3183-00-B marchnetworks.com

MARCH
networks
An Infinova Company