

MegaPX WDR NanoDome

The **MegaPX WDR NanoDome** from March Networks® is a fixed indoor/outdoor IP camera that combines high-definition (HD) video resolution with powerful Wide Dynamic Range (WDR) for excellent image quality in all lighting environments. With PoE and a sleek, unobtrusive housing, the camera is ideal for a range of low-profile surveillance applications.



ONVIF

CLEARER, BRIGHTER IMAGES

The MegaPX WDR NanoDome's powerful WDR and progressive scan in high resolution ensure crystal clear images, even in brightly backlit situations. Typically, there is a tradeoff between HD and WDR, but the MegaPX WDR NanoDome delivers the benefits of both.

SYSTEM INTEGRATION

The WDR NanoDome integrates seamlessly with March Networks Command™ video management software and high-performance hybrid NVRs to provide convenient browser-based management and innovations such as Shadow Archiving™ to ensure video is never lost. The camera is also ONVIF-compliant, allowing it to be used with a wide range of third-party systems.

VIDEO STREAMING

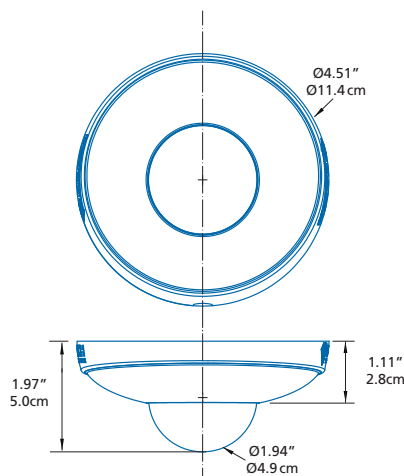
The camera's support for H.264 compression technology results in up to 20 times the efficiency of comparable JPEG-based IP cameras. This enables the archiving of higher-quality video for longer periods of time, while significantly reducing bandwidth and storage costs. The MegaPX WDR NanoDome can stream at 30 fps at maximum resolution, and record video independently to an optional microSD High Capacity (microSDHC) card or a Network Attached Storage (NAS) device. In addition, the camera can accommodate dual H.264 and M-JPEG streams simultaneously in real time to address different live or recording applications.

CAMERA AND NAS RECORDING

The camera's ability to stream in parallel to an internal microSDHC card or NAS device ensures redundant recording in the event of a network outage or server failure. When used with our Command software and hybrid NVRs¹, the solution's Shadow Archiving feature provides seamless access to redundant video for total fail-safe management. It does this by forming a "shadow" on the central recording server of all the data available on the camera and NAS devices.

ECONOMICAL AND FLEXIBLE

Power over Ethernet (PoE) simplifies the installation of the camera by eliminating the need for additional cables for power. The camera is quick and easy to install, and the pan/tilt position of its lens can be manually adjusted to deliver an even more flexible application.



FEATURES

- HD 1080p video quality for high resolution color and clarity
- Best-in-class WDR
- Active video tampering
- Compact, discreet design
- Progressive scan CMOS sensor
- 4.0 mm fixed lens with 70° horizontal angle of view
- Shadow Archiving with microSDHC or NAS
- ONVIF-compliant for open integration with third-party systems
- Simultaneous H.264 and M-JPEG compression streams
- Surface mount
- Easy to install; manual positioning of lens for flexibility
- Power over Ethernet
- March Networks Cloud support

PART NUMBERS

CAMERA

- 27816

MOUNT

- CAMDOME-ELECTMNT – Electrical mount adaptor plate

MegaPX WDR NanoDome

CAMERA

Image Sensor	1/2.7" CMOS Progressive Scan
Lens	4.0 mm fixed lens Horizontal angle of view: 70°
Minimum Illumination	Color: 0.3 lux / F1.5
Wide Dynamic Range	95dB
Shutter Time	1/2000 to 1/30 sec (manual), 1/10000 to 1 sec (auto)
Camera Angle Adjustment	Pan 170°, Tilt 0–90°
Pan/Tilt/Zoom	Pan 155°, Tilt 10° - 90°

VIDEO

Video Compression	H.264, M-JPEG
Resolution	Full HD 1080p to CIF (352x288)
Frame Rate	Up to 30 fps @ 1920x1080p
Video Streaming	Dual-stream H.264 and M-JPEG (Full resolution on stream 1; maximum D1 on stream 2) Controllable frame rate and bandwidth CBR/VBR H.264; VBR M-JPEG (quality settings)
Image Settings	Wide Dynamic Range, anti-flicker, white balance mode, brightness, contrast, saturation, hue, sharpness, mirror mode, privacy masks, motion detection

NETWORK

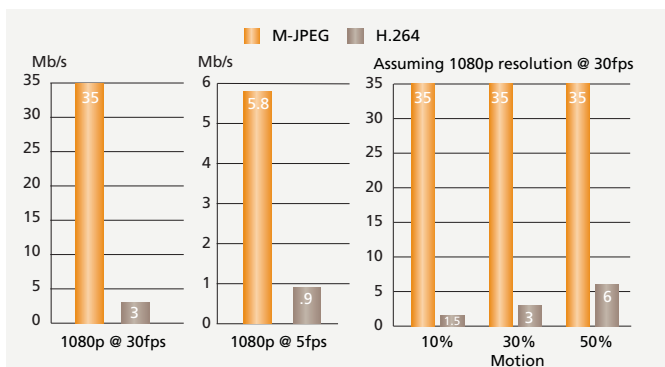
Security	Password protection, IP address filtering, connection management, LDAP authentication, HTTPS encryption (configuration only), 802.1X
Supported Protocols	ONVIF, RTP, RTSP, RTCP, HTTP, HTTPS, IPv4, TCP, UDP, DHCP, ARP, LDAP, 802.1X

SYSTEM INTEGRATION

Intelligent Video	Video motion detection, active tampering, wire-cross
Alarm Triggers	Video motion detection, active tampering, wire-cross
Alarm Events	Video recording to local storage (microSDHC) ; Video recording to NAS

GENERAL

Housing	Aluminum casing IP66 rating (NEMA 4X)
Power	Power over Ethernet IEEE 802.3af Class 2; less than 7W
Connectors	Female RJ-45 100BASE-TX PoE (IP66/NEMA 4X rated)
Local Storage	microSDHC memory card (not included)
Operating Conditions	-4 to 122°F / -20 to 50°C, 10–90% Relative Humidity non-condensing
Regulatory Approvals	UL 60950-1; CE – EMC Directive; 2004/108/EC; Standards EN55022; EN55024; EN50130-4; FCC Part 15 Subpart B; ICES-003; RoHS Directive (2002/95/EC); C-Tick
Mechanical	
Weight	0.4 lb / 0.2 kg
Dimensions (HxD)	1.97 x 4.51 in. / 5.0 x 11.4 cm
Included Accessories	Housing removal tool, software CD (including Installation Guide and User Manual, March Networks SiteManager, and Browser), mounting template
Optional Accessories	Electrical mount adaptor plate



NOTES: ¹Shadow Archiving not available with March Networks 4000 C Series NVR or 3204 DVR systems.

North America 1 800 563 5564
Latin America +1 613 591 8181
Europe +39 0362 17935
Asia, Hong Kong +852 2795 6540
Asia Pacific +61 1300 089 419
Middle East and Africa +971 4 326 5911

© 2012. March Networks, An Infinova Company. All rights reserved. Information in this document is subject to change without notice. MARCH NETWORKS, March Networks Command, March Networks Searchlight, Shadow Archive and the MARCH NETWORKS logo are trademarks of March Networks Corporation. Infinova is a trademark of Infinova Corporation. All other trademarks are the property of their respective owners. 060-3152-00-A marchnetworks.com

MARCH
networks
An Infinova Company