



DEPOSITORY

HAMILTON SAFE

DEPOSITORY

HAMILTON SAFE

NOTE: MODEL 80UC-LS
DATE: 11/07/14 THRU 1/26/15
(SERIAL NUMBERS "18647N" THRU "18763N")
DATE: 1/27/15 TO PRESENT
BEGINNING WITH SERIAL NUMBER "LS14-001"

THESE DRAWINGS ARE THE PROPERTY OF HAMILTON SAFE CO. AND SHALL NOT BE REPRODUCED OR COPIED OR USED AS THE BASIS FOR MANUFACTURE OR SALE OF APPARATUS WITHOUT PERMISSION	HAMILTON SAFE	Hamilton Safe 7775 Cooper Rd. Cincinnati, Ohio 45242 Phone: (513)874-3733 www.hamiltonsafe.com	PAGE 1 OF 10
	TITLE 14-184	DATE 7/17/2014	

4

3

2

1

D

C

B

A

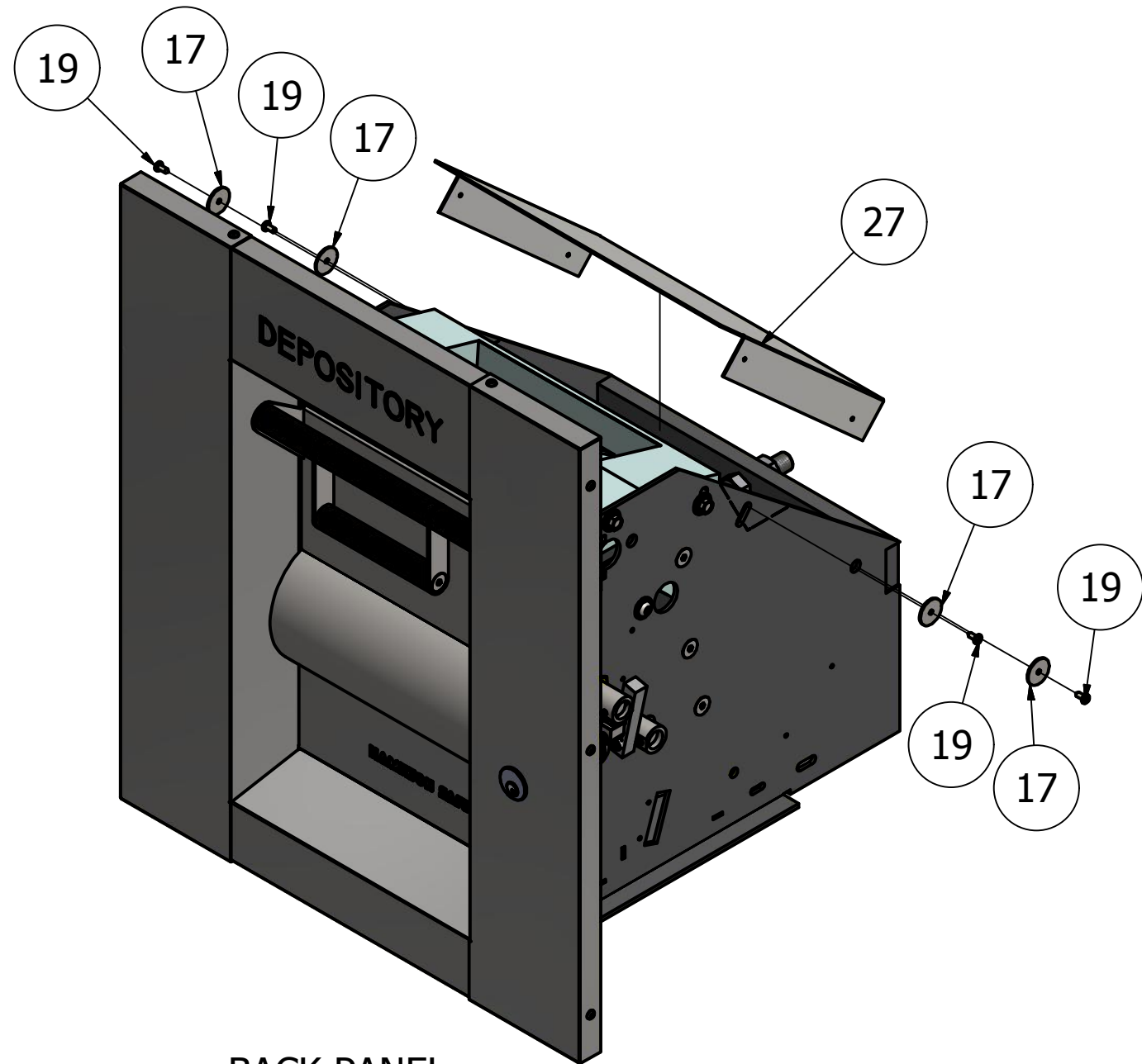
D

C

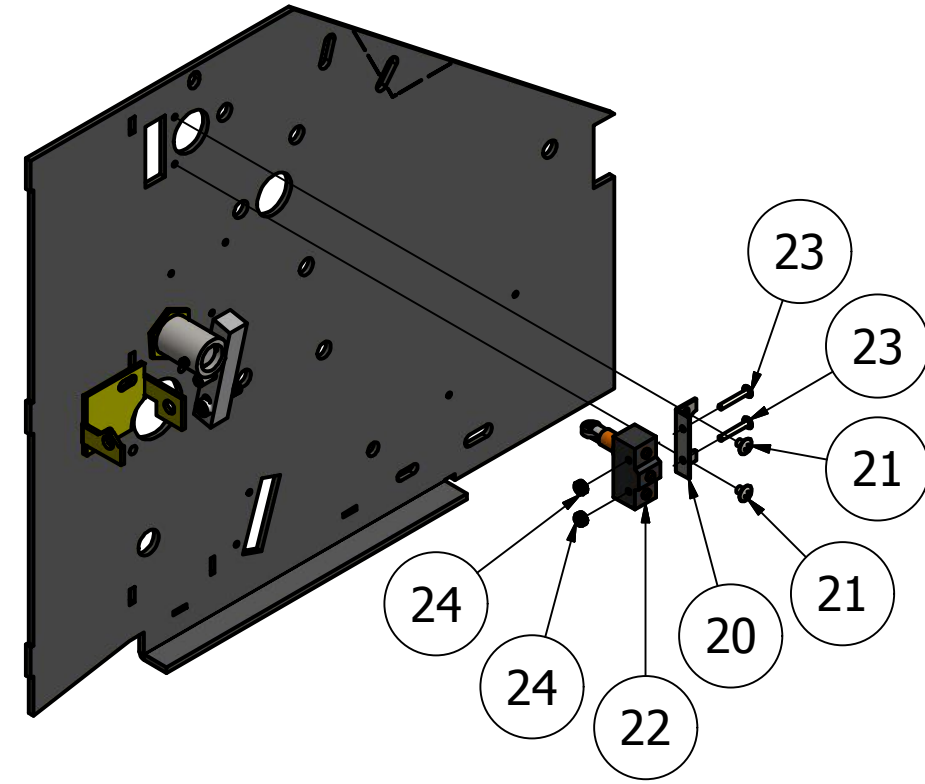
B

A

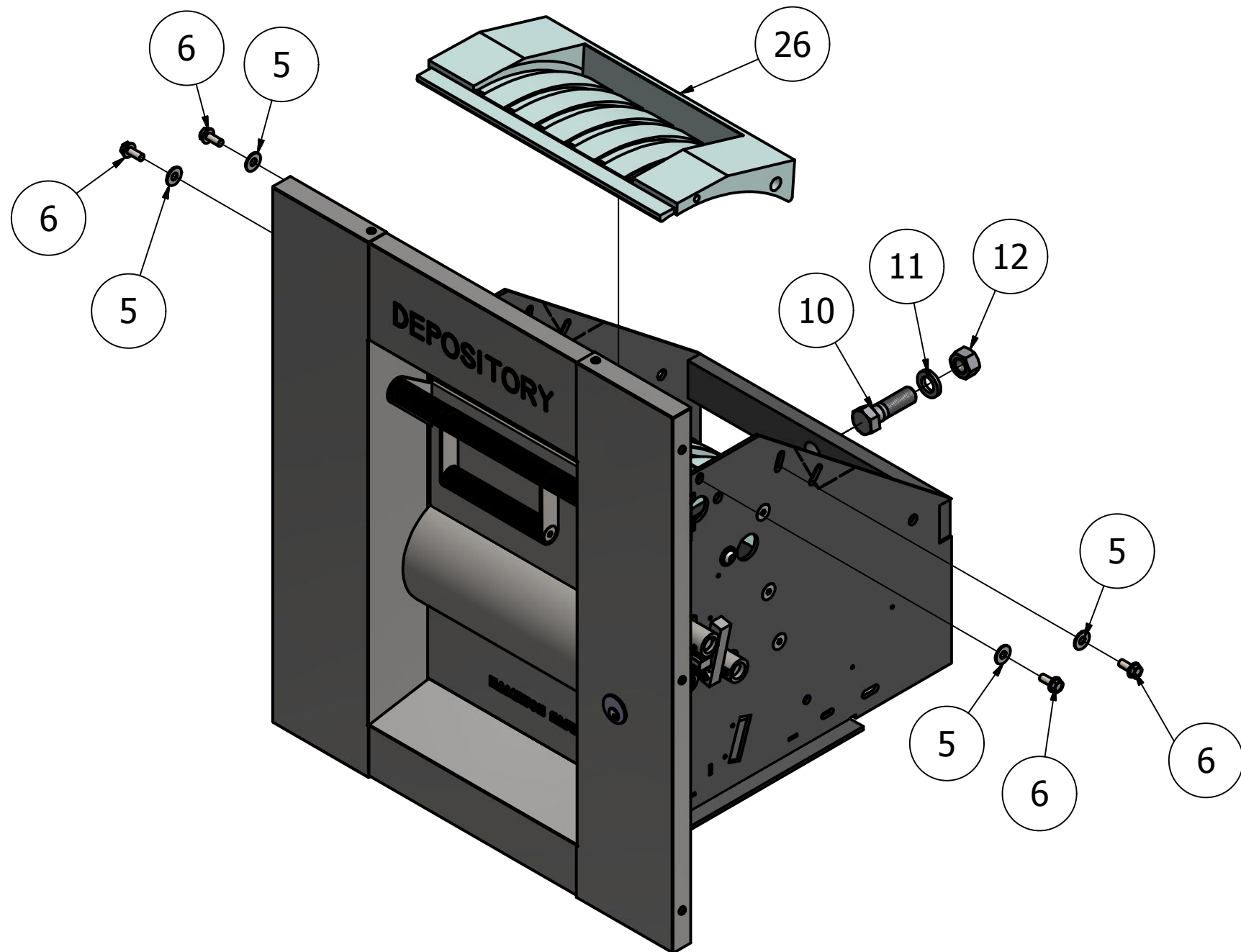
PARTS LIST			
ITEM	PART NUMBER	TITLE	QTY
1	B3805	80UC LOCK CAM CASTING	1
4	B6319	LOCK BOLT	1
5	H0314	5/16" FLAT WASHER	7
6	H0540	5/16-18 X3/4" SERRATED HEX BOLT	5
7	H1009	NYLON BUSHING	2
8	H0104	1/4-20 KEPS NUT-ZINC	12
9	H0511	1/4 - 20 X .375 SERRATED HH	2
10	HC575C250152	3/4-10 UNC - 2.5	1
11	H0387	3/4 SPLIT RING LOCK WASHER	1
12	H0390	3/4-10 HEX NUT	1
14	80UC-LS-119	LOCK RETAINER	1
15	B8386	KEY LOCK PIN SLEEVE	2
16	H0011	1/4 IN FLAT WASHER	4
17	H10212	3/16" FENDER WASHER	4
19	H10211	#10 X 1/2" PPHS	4
20	80UC-LS-120	BUCKET TAMPER SWITCH MTG BRACKET	1
21	H0425	10-32 X 0.25 PHIL TRUSS	4
22	E10194	ROLLER SWITCH	1
23	H0148	6-32 X 1 PHIL TRUSS	4
24	H0627	6-32 KEPS NUT	4
25	7015YAB-26D-KD	KEY CYLINDER ASSEMBLY	1
26	B10019	TOP CASTING	1
27	80UC-LS-114	FRAME BACK COVER	1
28	B8387	KEY LOCK PIN SLEEVE NUT	4
29	H1050	5-16 IN SHAFT COLLAR	2
4	91772A189	8-32 X .188 PHMS SS	4
146	B2575	LOCK BOLT	1
147	B8383	80UC ACTUATOR PIVOT PIN	1
148	H0342	5-16 X 3-4 SOCKET SHOULDER BOLT	1
149	H0515	0.25x1 SHOULDER BOLT	1
150	B3804	LOCK SHAFT BRACKET	1



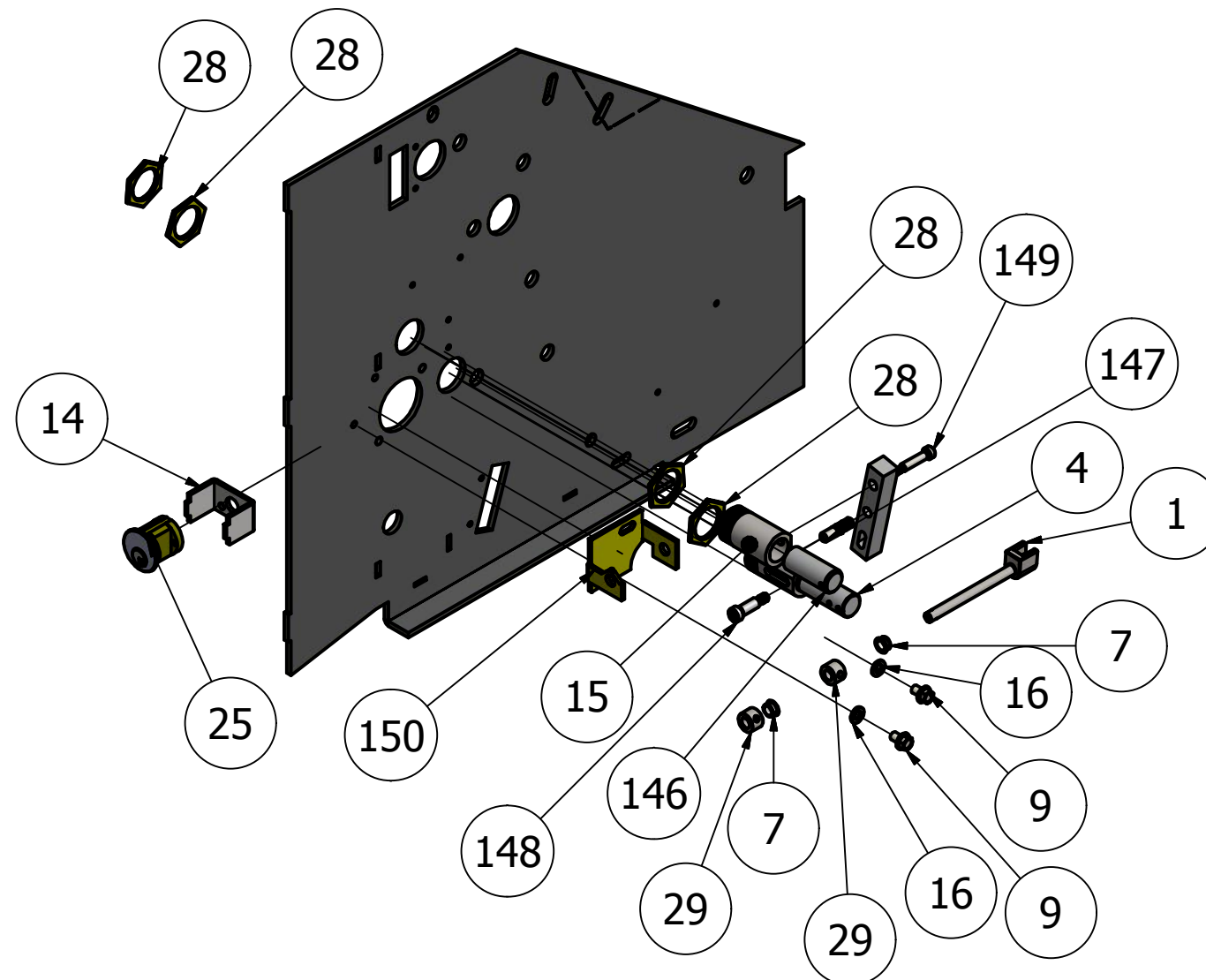
BACK PANEL



BUCKET TAMPER SWITCH



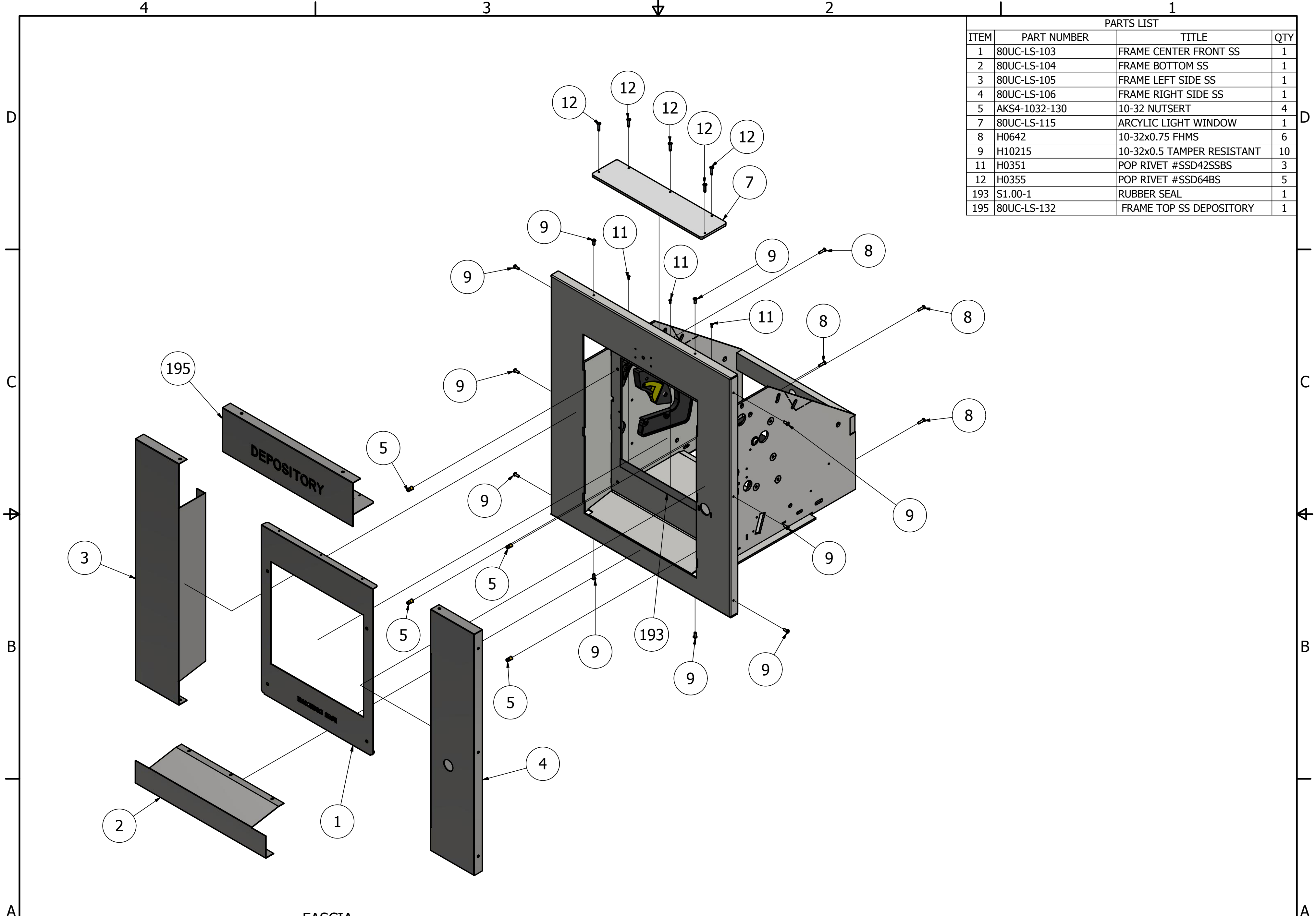
TOP CASTING AND ANCHOR BOLT



LOCKING MECHANISM

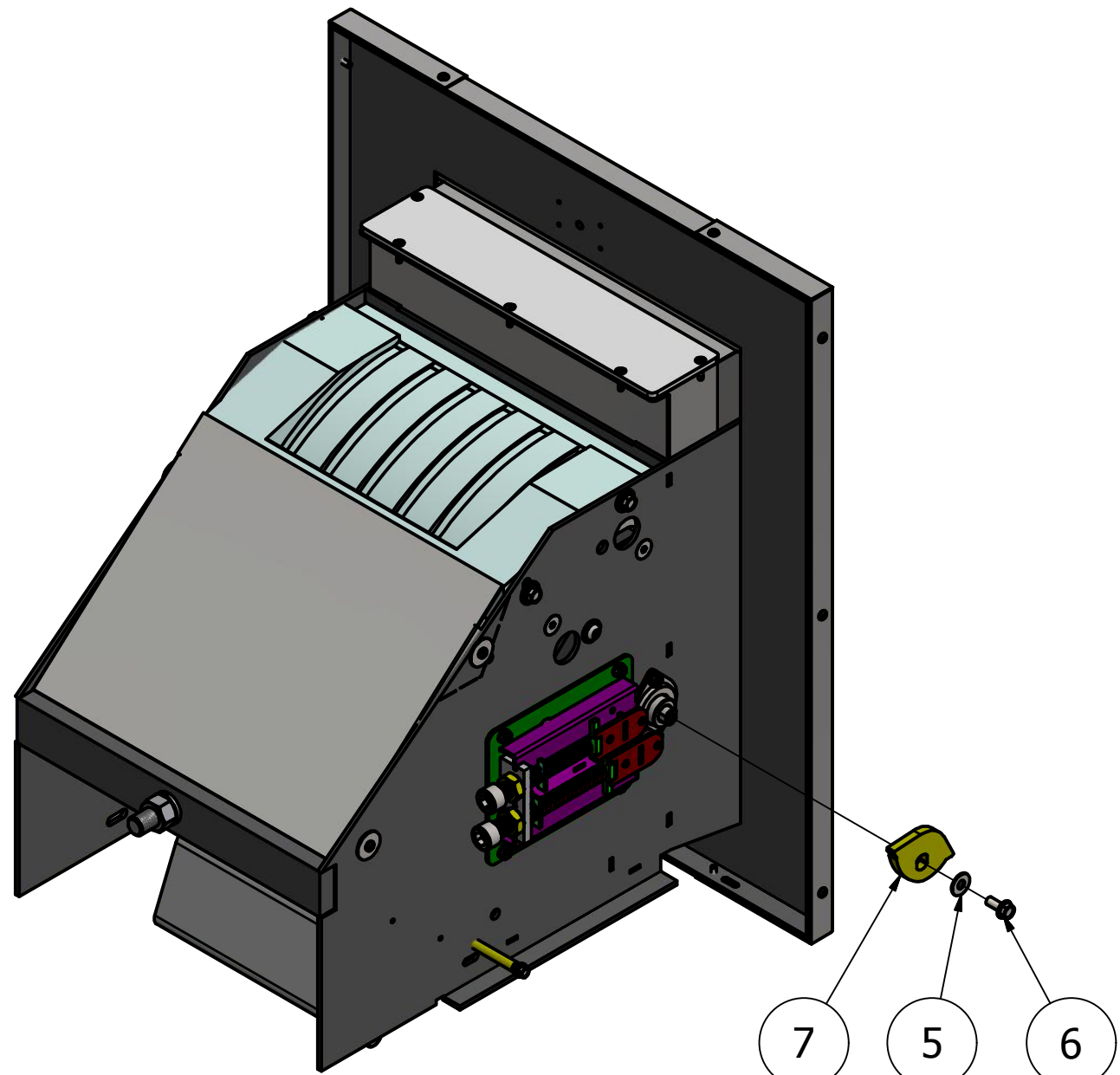
THESE DRAWINGS ARE THE PROPERTY OF HAMILTON SAFE CO. AND SHALL NOT BE REPRODUCED OR COPIED OR USED AS THE BASIS FOR MANUFACTURE OR SALE OF APPARATUS WITHOUT PERMISSION	HAMILTON SAFE Hamilton Safe 7775 Cooper Rd. Cincinnati, Ohio 45242 Phone: (513)874-3733 www.hamiltonsafe.com	PAGE 2 OF 10
	TITLE 14-184	DATE 7/17/2014

PARTS LIST			
ITEM	PART NUMBER	TITLE	QTY
1	80UC-LS-103	FRAME CENTER FRONT SS	1
2	80UC-LS-104	FRAME BOTTOM SS	1
3	80UC-LS-105	FRAME LEFT SIDE SS	1
4	80UC-LS-106	FRAME RIGHT SIDE SS	1
5	AKS4-1032-130	10-32 NUTSERT	4
7	80UC-LS-115	ARCYLIC LIGHT WINDOW	1
8	H0642	10-32x0.75 FHMS	6
9	H10215	10-32x0.5 TAMPER RESISTANT	10
11	H0351	POP RIVET #SSD42SSBS	3
12	H0355	POP RIVET #SSD64BS	5
193	S1.00-1	RUBBER SEAL	1
195	80UC-LS-132	FRAME TOP SS DEPOSITORY	1

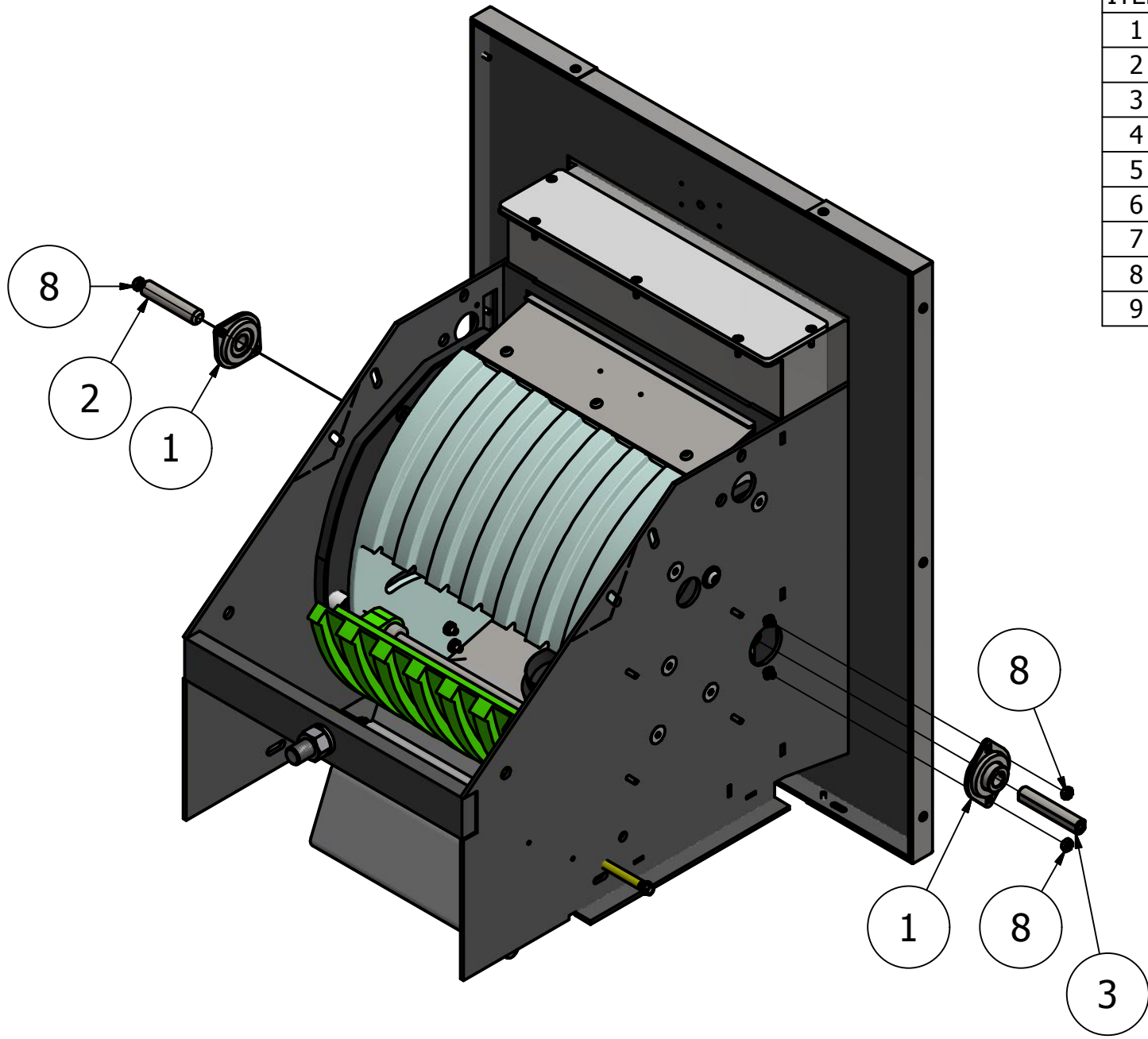


THESE DRAWINGS ARE THE PROPERTY OF HAMILTON SAFE CO. AND SHALL NOT BE REPRODUCED OR COPIED OR USED AS THE BASIS FOR MANUFACTURE OR SALE OF APPARATUS WITHOUT PERMISSION	<h1 style="margin: 0;">HAMILTON SAFE</h1>	Hamilton Safe 7775 Cooper Rd. Cincinnati, Ohio 45242 Phone: (513)874-3733 www.hamiltonsafe.com	PAGE 3 OF 10
	TITLE 14-184	DATE 7/17/2014	

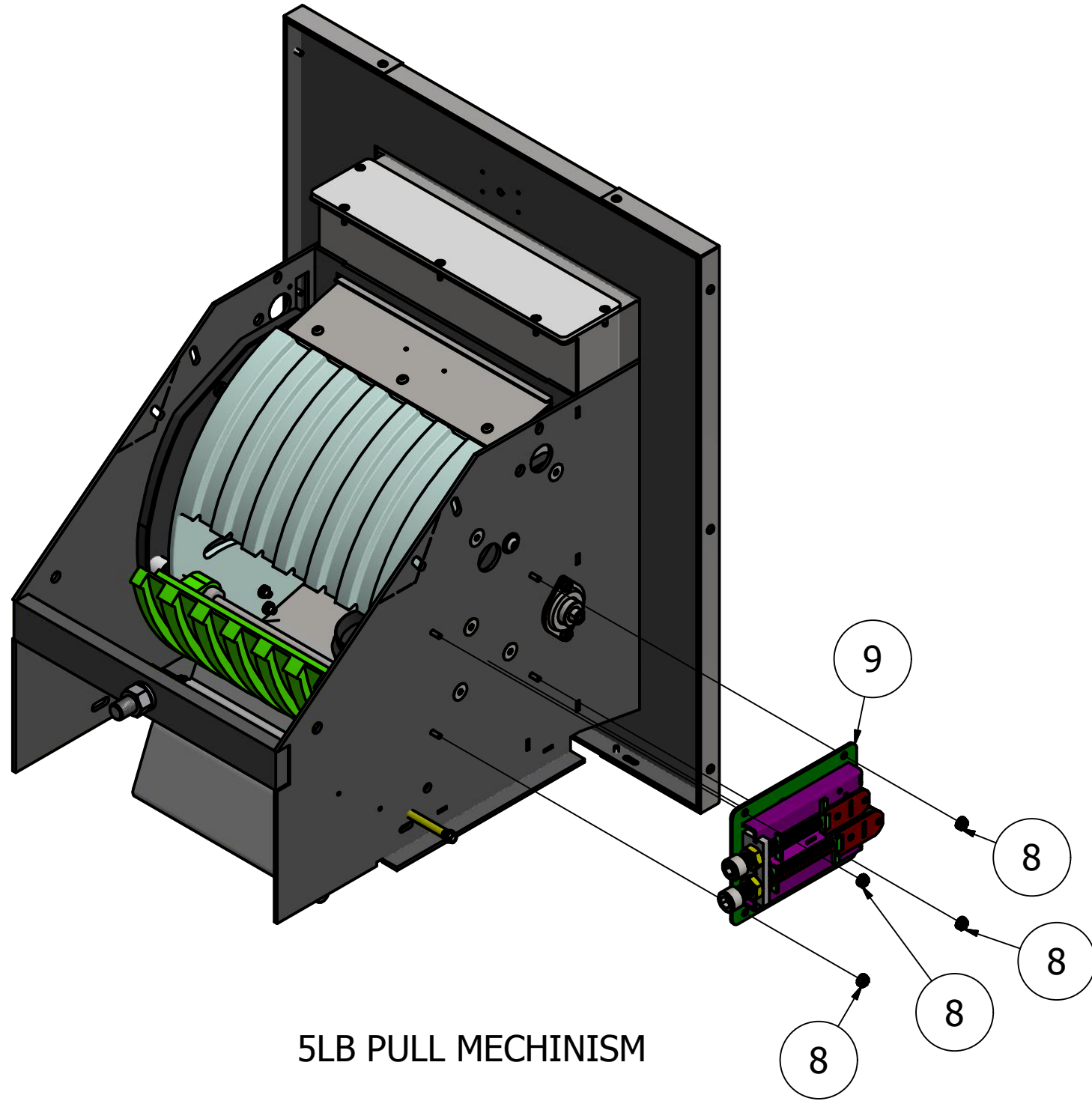
PARTS LIST			
ITEM	PART NUMBER	TITLE	QTY
1	5913K720	AXLE BEARING	2
2	TBA-029	LOCK SIDE AXLE	1
3	TBA-030	CAM SIDE AXLE	1
4	B10443	COMPLETE BUCKET ASSEMBLY	1
5	H0314	5/16" FLAT WASHER	7
6	H0540	5/16-18 X3/4" SERRATED HEX BOLT	5
7	TBA-002	CAM	1
8	H0104	1/4-20 KEPS NUT-ZINC	12
9	TBA-025	SLIDE PLATE ASSEMBLY	1



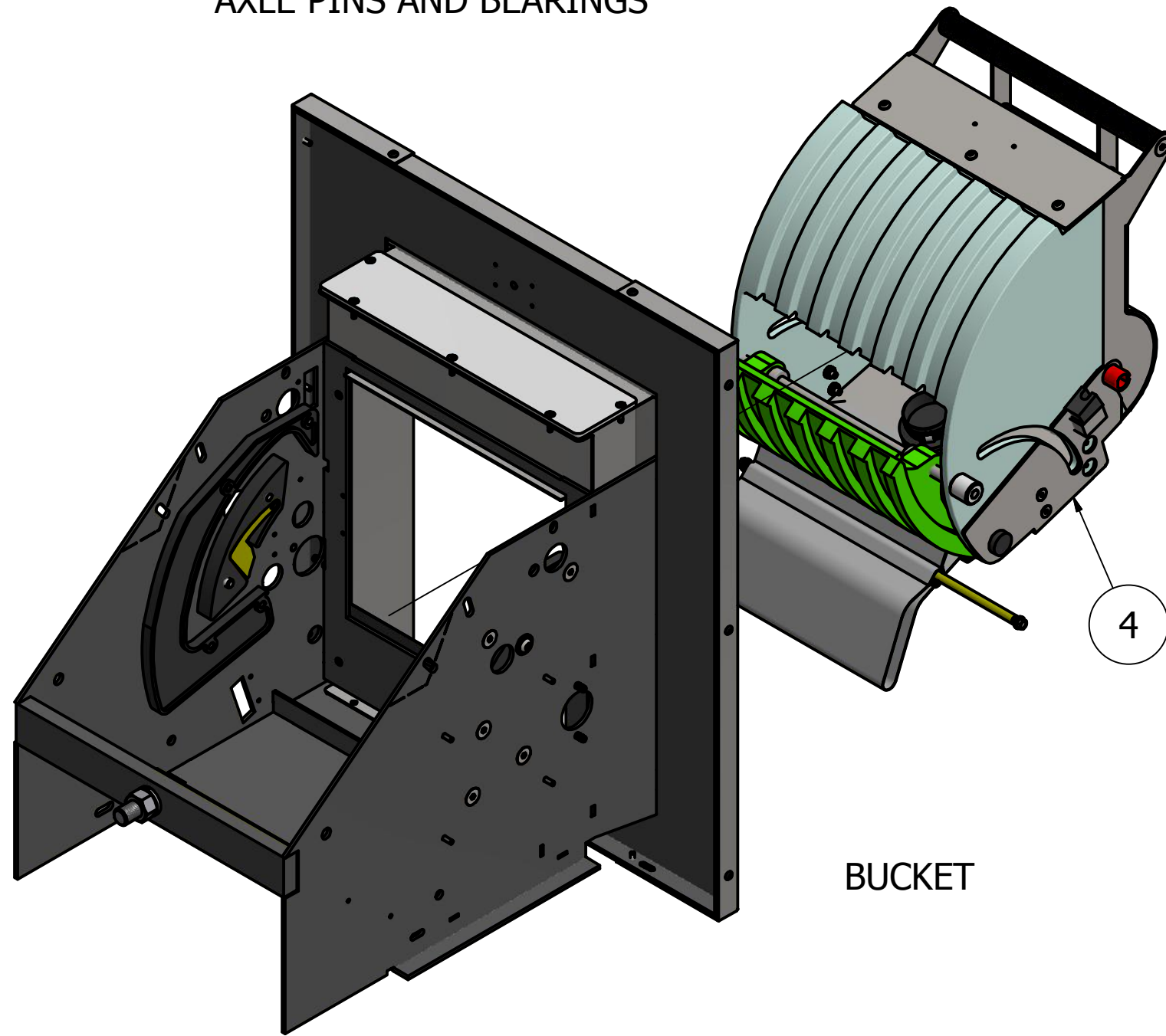
5LB PULL CAM



AXLE PINS AND BEARINGS



5LB PULL MECHINISM



BUCKET

<p>THESE DRAWINGS ARE THE PROPERTY OF HAMILTON SAFE CO. AND SHALL NOT BE REPRODUCED OR COPIED OR USED AS THE BASIS FOR MANUFACTURE OR SALE OF APPARATUS WITHOUT PERMISSION</p>	<p>HAMILTON SAFE</p>	<p>Hamilton Safe 7775 Cooper Rd. Cincinnati, Ohio 45242 Phone: (513)874-3733 www.hamiltonsafe.com</p>	<p>PAGE 4 OF 10</p>
	<p>TITLE 14-184</p>	<p>DATE 7/17/2014</p>	

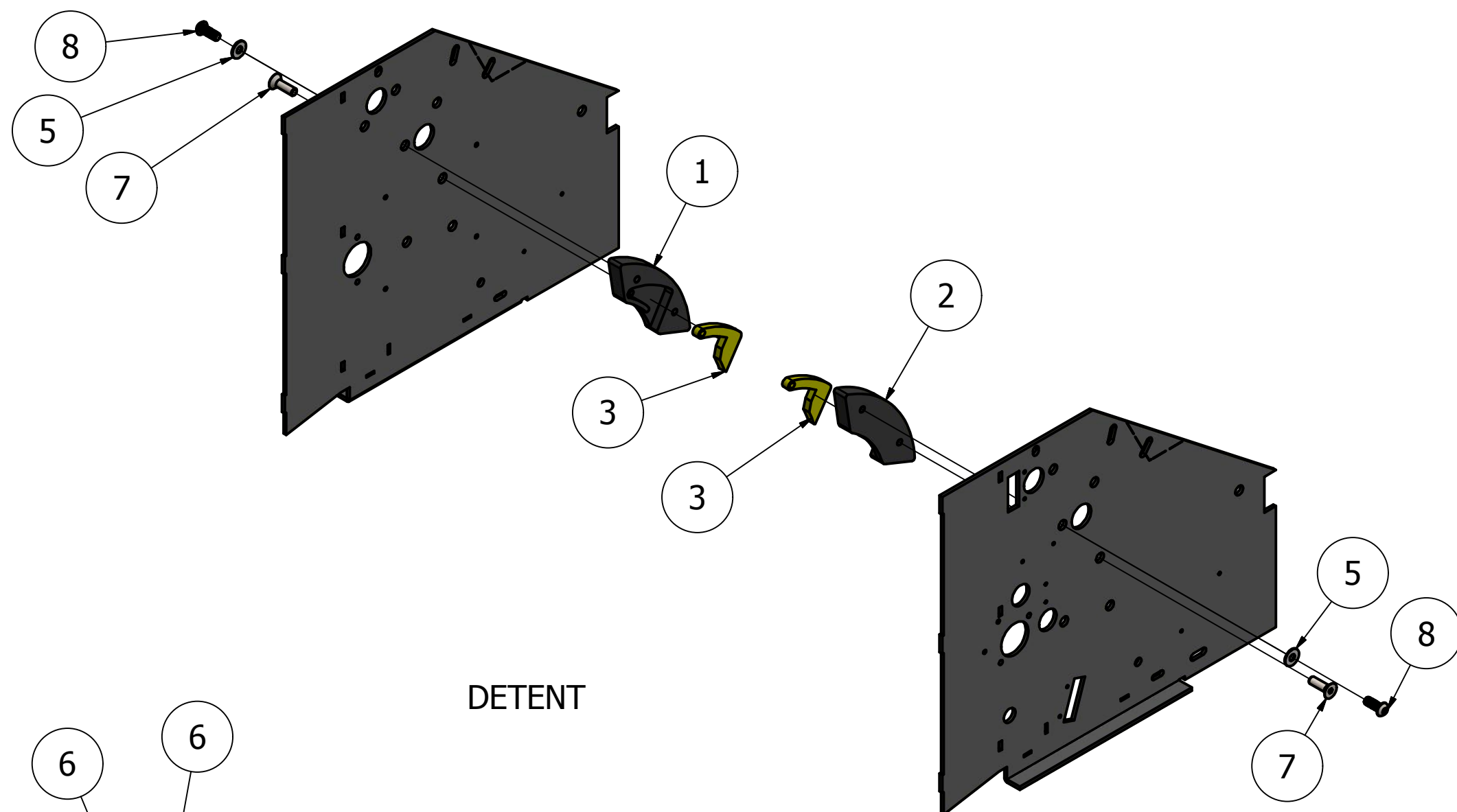
4

3

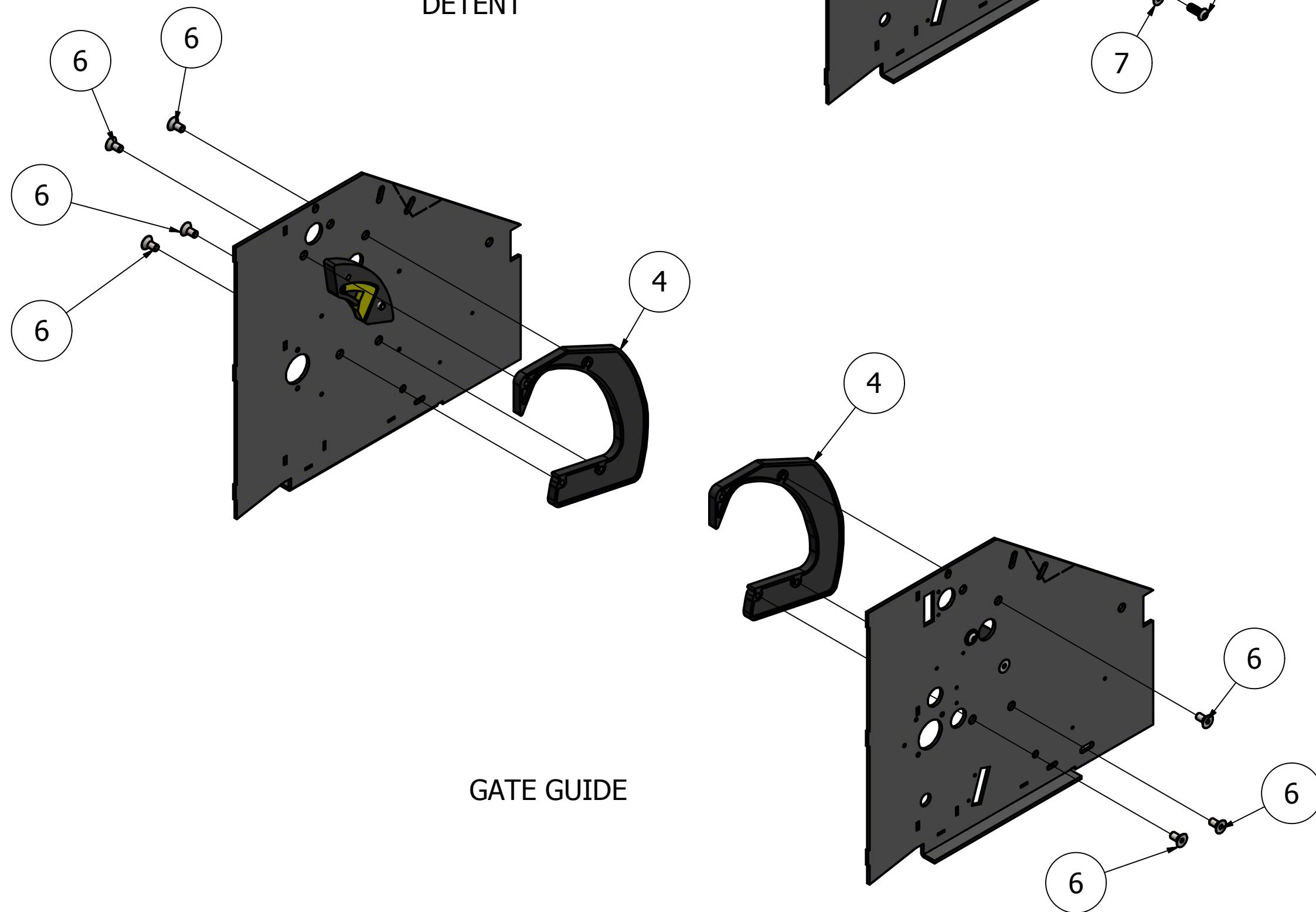
2

1

PARTS LIST			
ITEM	PART NUMBER	TITLE	QTY
1	B6353-2	RS 80UC DETENT FRAME CAST	1
2	B6353-3 LS	80UC DETENT FRAME CAST	1
3	B6316-2	80UC DETENT LEVER	2
4	B6747	ONE PIECE GATE GUIDE CAST	2
5	H0314	5/16" FLAT WASHER	7
6	H0348	0.375-16x0.75 -FLAT-SS	11
7	H10210	0.375-16x1.25-FLAT	2
8	H10213	0.375-16x1 SOCKET BUTTON HEAD	2



DETENT



GATE GUIDE

THESE DRAWINGS ARE THE PROPERTY OF HAMILTON SAFE CO. AND SHALL NOT BE REPRODUCED OR COPIED OR USED AS THE BASIS FOR MANUFACTURE OR SALE OF APPARATUS WITHOUT PERMISSION

HAMILTON SAFE

Hamilton Safe
7775 Cooper Rd.
Cincinnati, Ohio 45242
Phone: (513)874-3733
www.hamiltonsafe.com

PAGE
5 OF 10

TITLE
14-184

DATE
7/17/2014

4

3

4

2

1

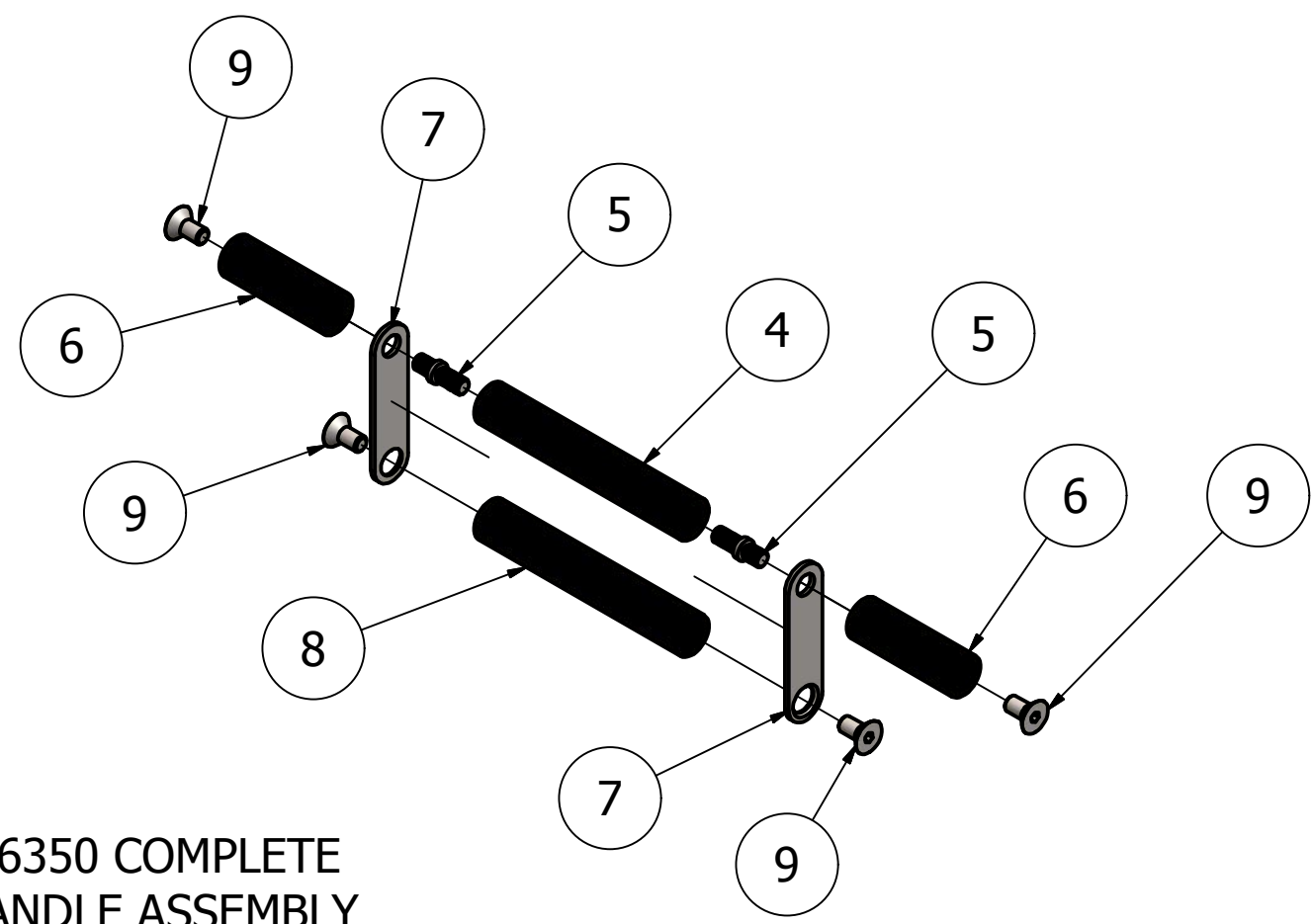
4

3

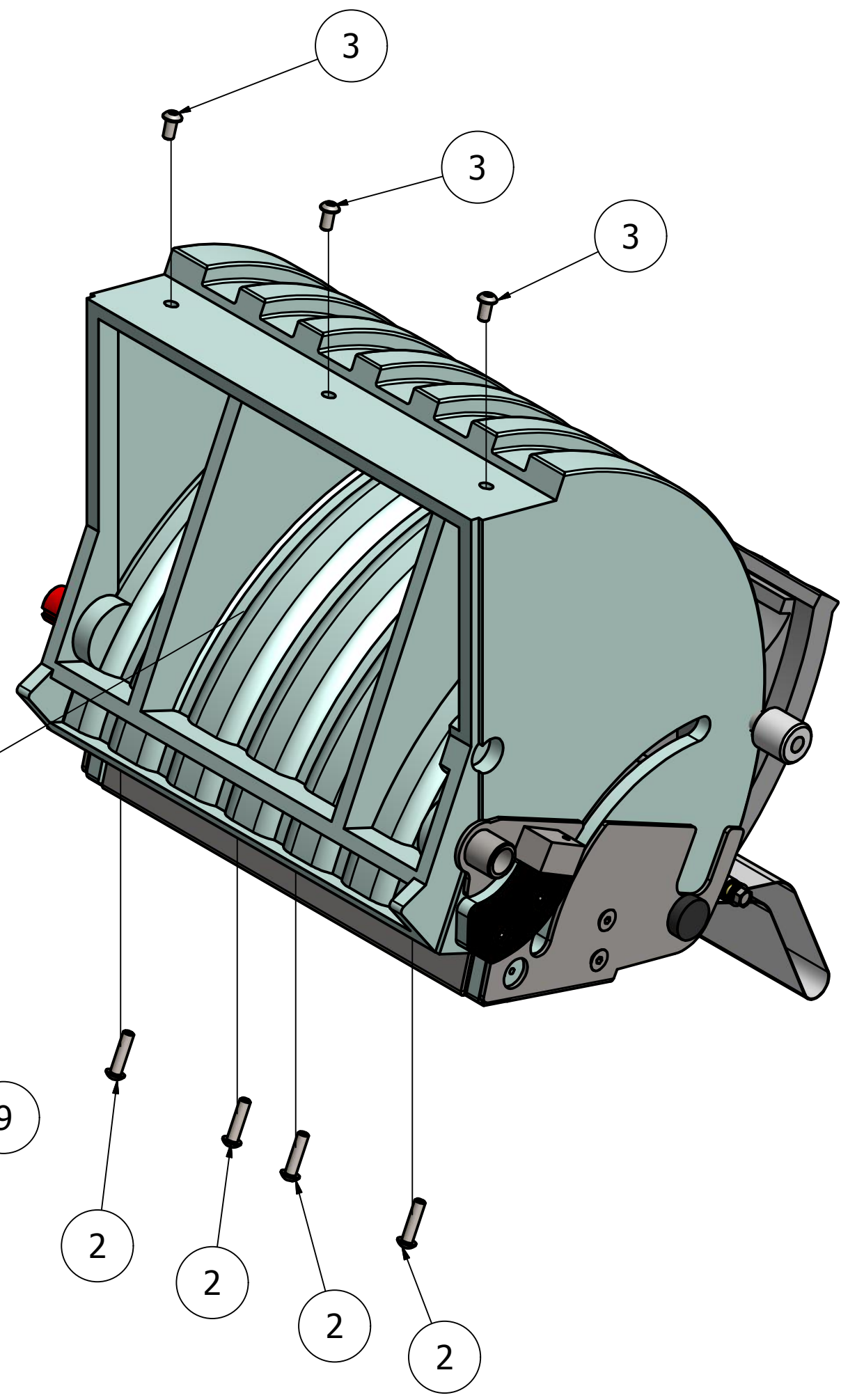
2

1

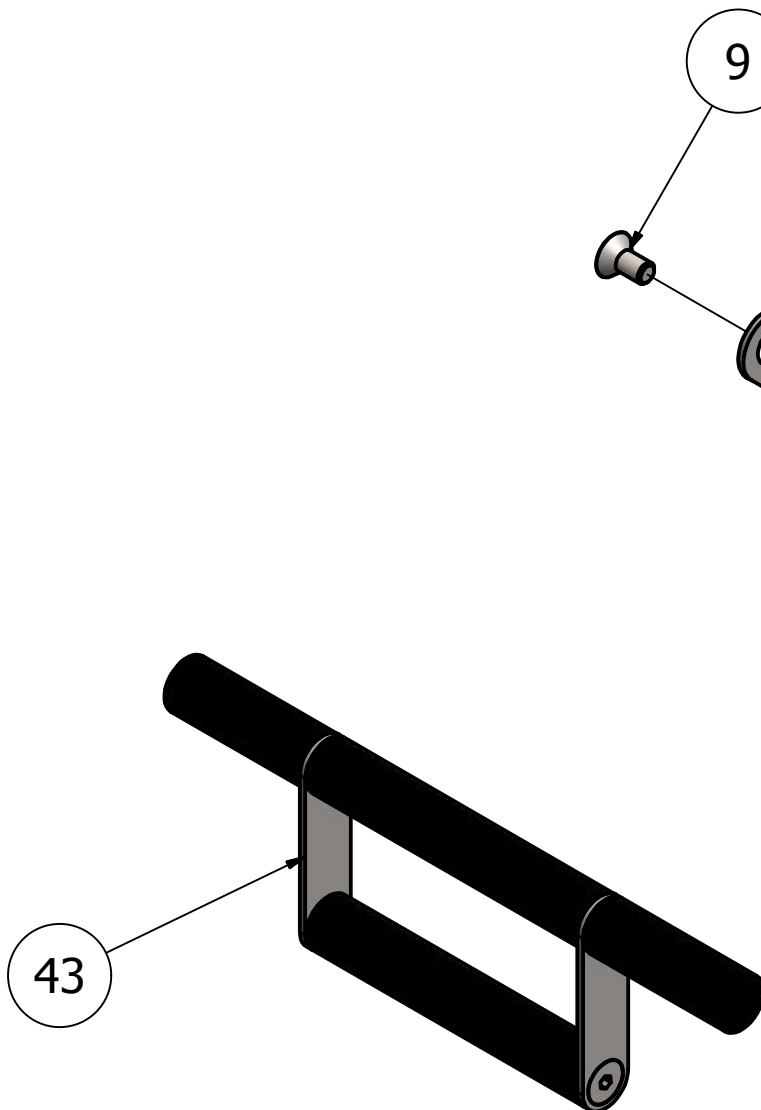
PARTS LIST			
ITEM	PART NUMBER	TITLE	QTY
1	B10430	COMPLETE BUCKET FRONT ASSY.	1
2	H0040	SBHCSCREW 0.25-20x1-HX	4
3	H0512	.25-20 X 0.500 TAMPER RESISTANT SCREW	3
4	B3798	80C AND 98RH ADA HANDLE CENTER SECTION	1
5	B3795	80C AND 98RH ADA HANDLE STUD	2
6	B6345	80C AND 98RH ADA HANDLE OUTER SECTION	2
7	B3794	80UC AND 98RH ADA SWING ARM	2
8	B3796	80C AND 98RH ADA HANDLE EXTENSION	1
9	H0348	0.375-16x0.75 -FLAT-SS	4
10	B6350	COMPLETE HANDLE ASSEMBLY	1



B6350 COMPLETE HANDLE ASSEMBLY



BUCKET FRONT



43

THESE DRAWINGS ARE THE PROPERTY OF HAMILTON SAFE CO. AND SHALL NOT BE REPRODUCED OR COPIED OR USED AS THE BASIS FOR MANUFACTURE OR SALE OF APPARATUS WITHOUT PERMISSION

HAMILTON SAFE
 Hamilton Safe
 7775 Cooper Rd.
 Cincinnati, Ohio 45242
 Phone: (513)874-3733
 www.hamiltonsafe.com

PAGE
 6 OF 10

TITLE
80UC-LS BUCKET ASSEMBLY

DATE
 6/20/2013

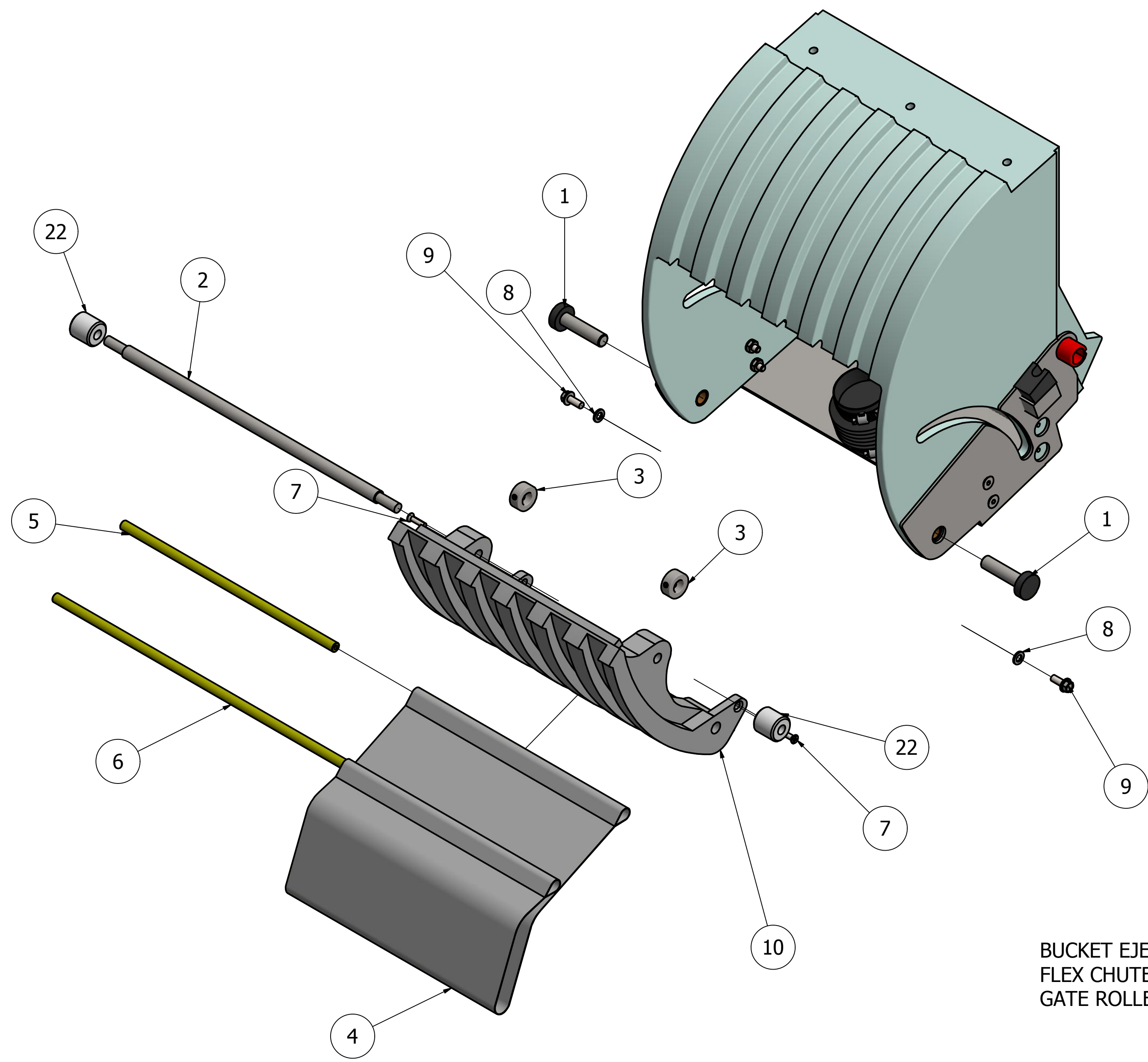
4

3

2

1

PARTS LIST			
ITEM	PART NUMBER	TITLE	QTY
1	B3833	EJECTOR CASTING PIVOT PIN	2
2	B8372-1	80UC GATE ROLLER SHAFT	1
3	H1052	1-2 IN SHAFT COLLAR	2
4	B8391	*Varies*	2
5	B3569	DIAPER UPPER TIE ROD	1
6	B3574	DIAPER LOWER TIE ROD	1
7	H0642	10-32x0.75 FHMS	2
8	H0011	1/4 IN FLAT WASHER	2
9	H0510	HBOLT 0.25-20 .625 SERRATED	2
10	B6347	EJECTOR PLATE	1



BUCKET EJECTOR,
FLEX CHUTE AND
GATE ROLLERS

THESE DRAWINGS ARE THE PROPERTY OF HAMILTON SAFE CO. AND SHALL NOT BE REPRODUCED OR COPIED OR USED AS THE BASIS FOR MANUFACTURE OR SALE OF APPARATUS WITHOUT PERMISSION	HAMILTON SAFE Hamilton Safe 7775 Cooper Rd. Cincinnati, Ohio 45242 Phone: (513)874-3733 www.hamiltonsafe.com	PAGE 7 OF 10
	TITLE 80UC-LS BUCKET ASSEMBLY	DATE 6/20/2013

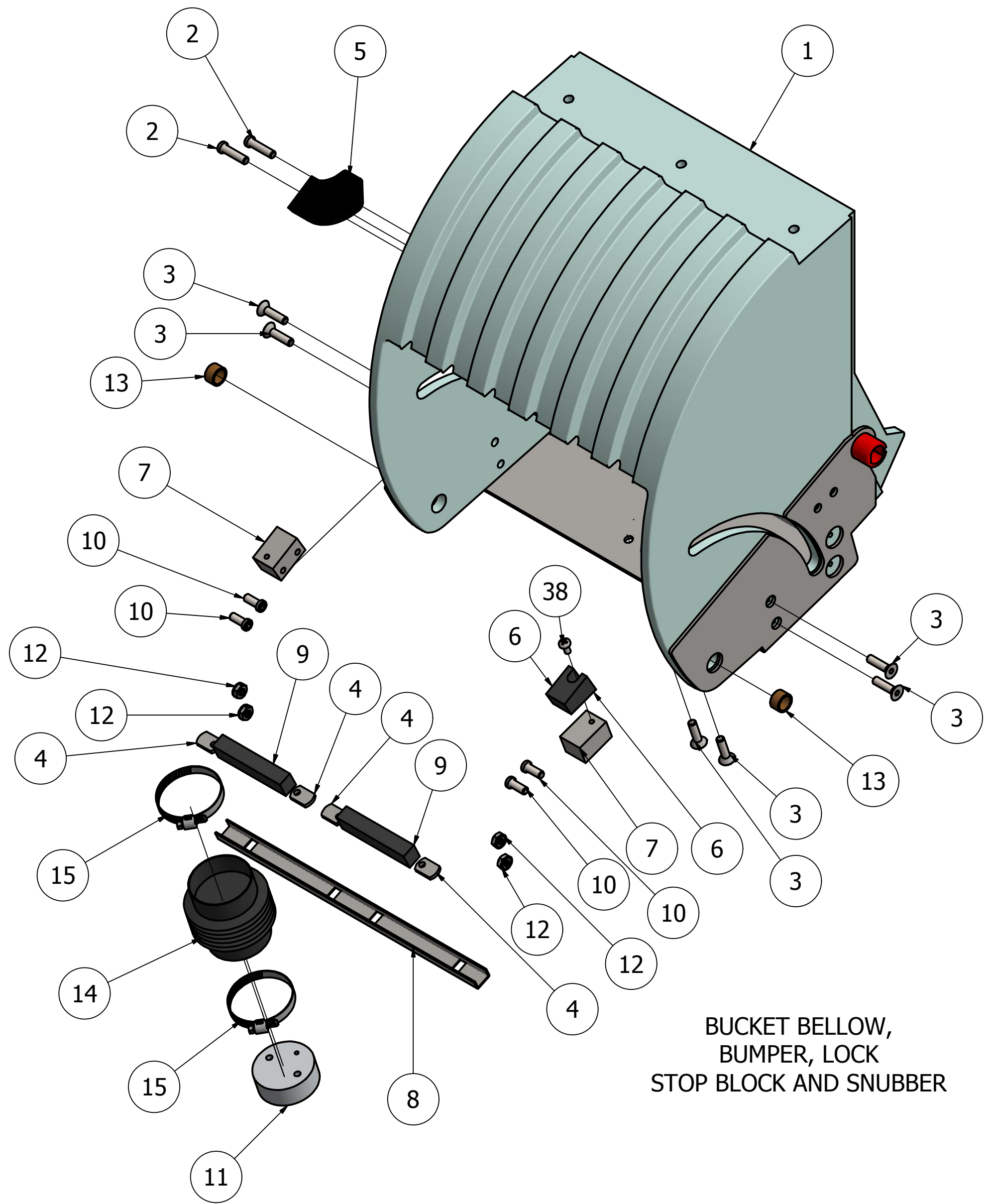
4

3

2

1

PARTS LIST			
ITEM	PART NUMBER	TITLE	QTY
1		BUCKET CASTING WITH ATTACHED SHIELD	1
2	H10214	LOW HX-SHCS 0.25-20x1-ZI	2
3	H0079	FHMS 0.25-20x1x1-HX-C	6
4	H0074	0420 TAB WELD NUT	4
5	B8392	BUCKET LOCK BLOCK SPACER	1
6	B2547	80UC BUCKET STOP SNUBBER	1
7	B8393	80UC LOCK AND STOP BLOCK	2
8	B8376	80UC AND 98RH BUMPER CHANNEL	1
9	B3816	GATE BUMPER	2
10	H0452	LOW HX-SHCS 0.25-20x0.625-ZI	4
11	B8382	80UC AND 98RH BELLOWS MOUNT	1
12	H0104	.250 - 20 KEPS NUT	4
13	H1207	BRONZE BUSHING	2
14	B2570	GORTEX BELLOW 2 DIA X 7 EXT	1
15	H1087	IDEAL 28 Hose Clamp	2



BUCKET BELLOW,
BUMPER, LOCK
STOP BLOCK AND SNUBBER

D

C

B

A

D

C

B

A

THESE DRAWINGS ARE THE
PROPERTY OF HAMILTON SAFE CO.
AND SHALL NOT BE REPRODUCED
OR COPIED OR USED AS THE BASIS
FOR MANUFACTURE OR SALE OF
APPARATUS WITHOUT PERMISSION

HAMILTON SAFE
Hamilton Safe
7775 Cooper Rd.
Cincinnati, Ohio 45242
Phone: (513)874-3733
www.hamiltonsafe.com

PAGE
8 OF 10

TITLE
80UC-LS BUCKET ASSEMBLY

DATE
6/20/2013

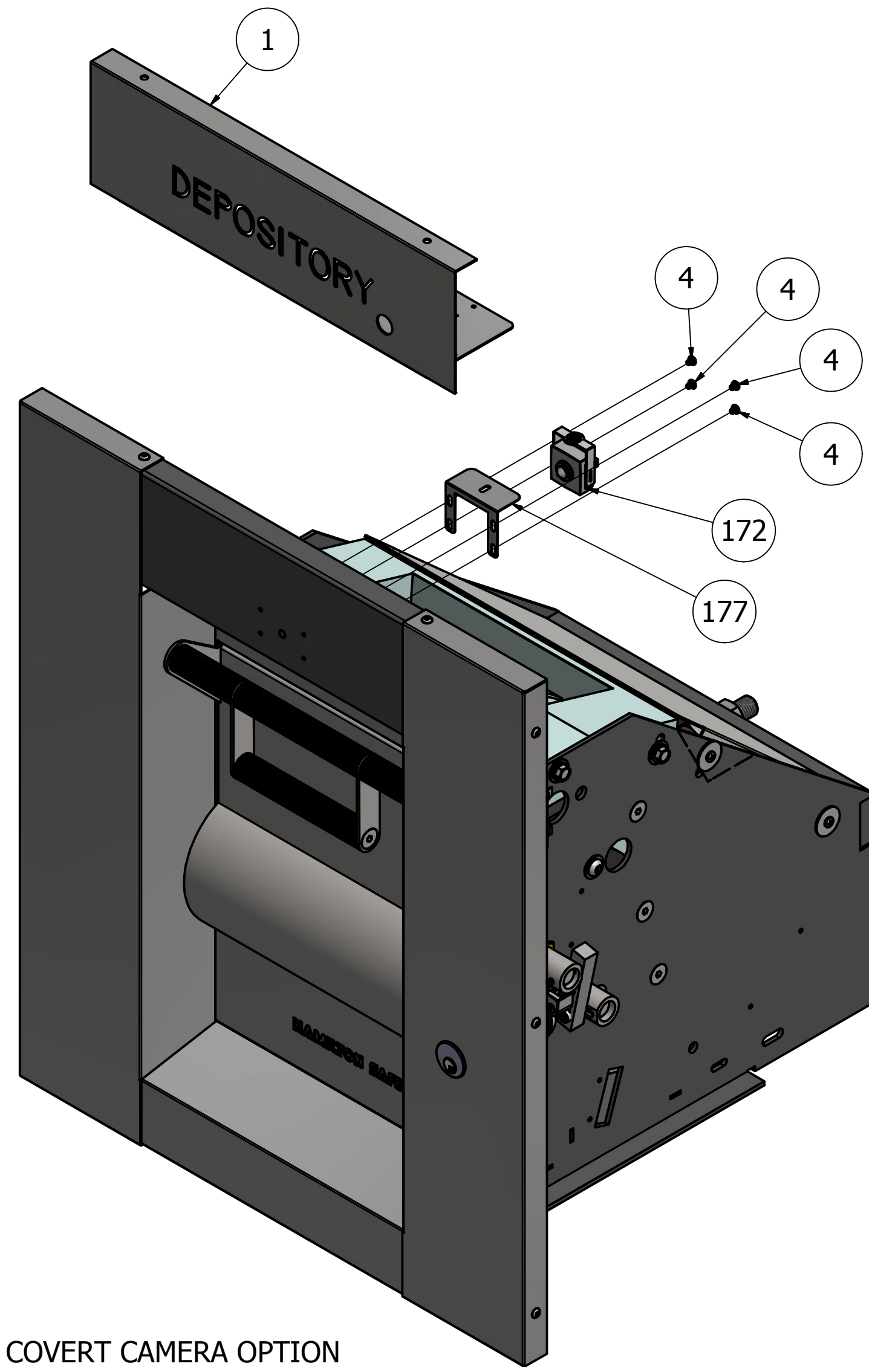
4

3

2

1

PARTS LIST			
ITEM	PART NUMBER	TITLE	QTY
1	80UC-LS-101	FRAME TOP SS DEPOSITORY	1
4	91772A189	8-32 X .188 PHMS SS	4
172	CTMC-6371-37SPH	BRACKET	2
177	80UC-LS-121	COVERT CAMERA BRACKET	1



COVERT CAMERA OPTION
KIT NUMBER 14-184-CAM

THESE DRAWINGS ARE THE
PROPERTY OF HAMILTON SAFE CO.
AND SHALL NOT BE REPRODUCED
OR COPIED OR USED AS THE BASIS
FOR MANUFACTURE OR SALE OF
APPARATUS WITHOUT PERMISSION

HAMILTON SAFE
Hamilton Safe
7775 Cooper Rd.
Cincinnati, Ohio 45242
Phone: (513)874-3733
www.hamiltonsafe.com

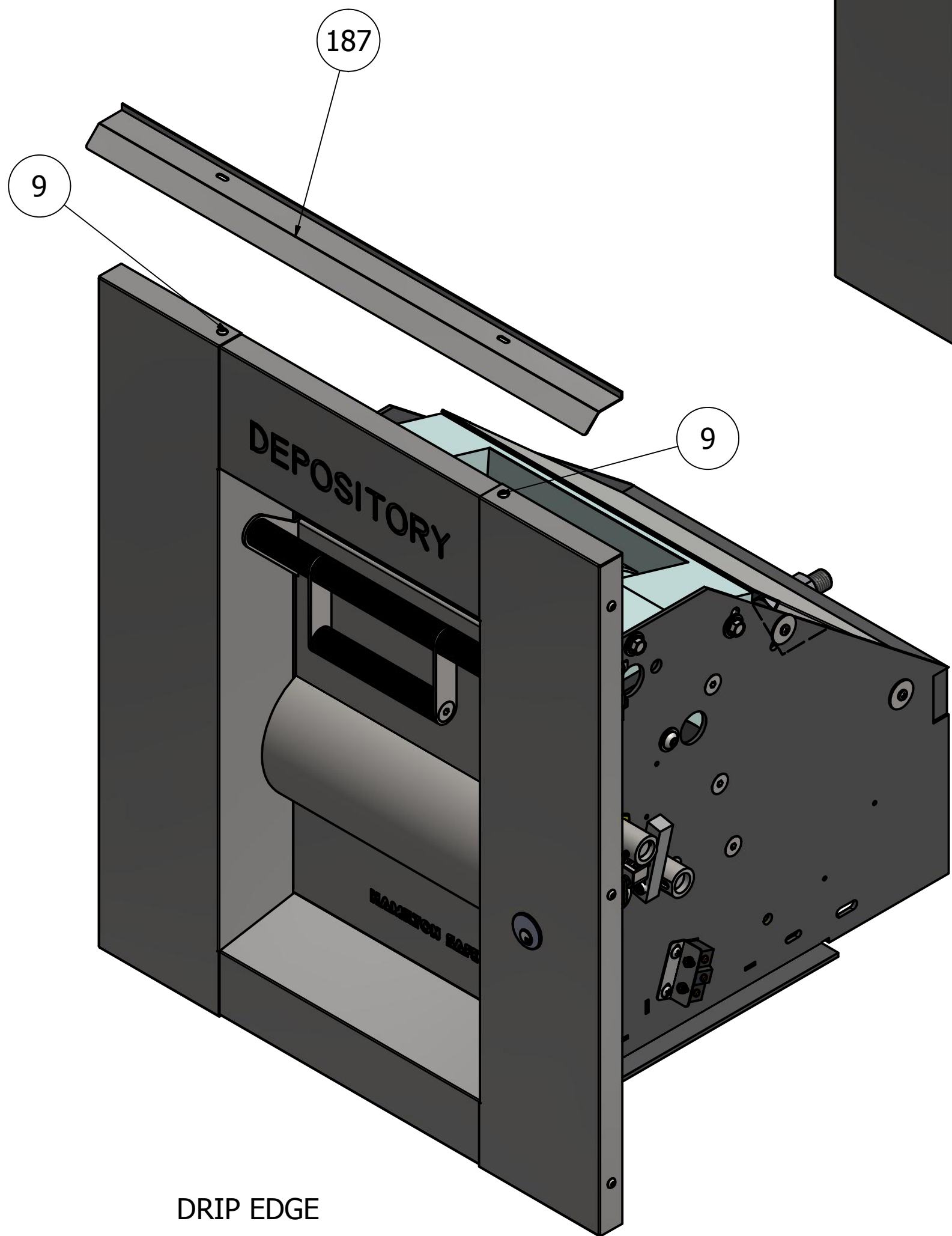
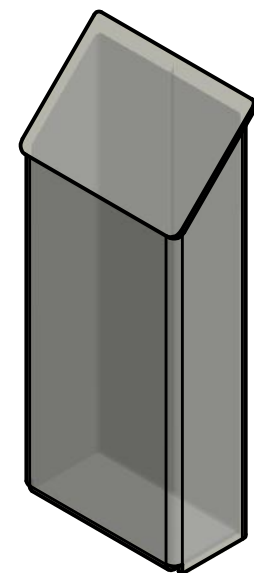
TITLE
14-184

PAGE
9 OF 10

DATE
7/17/2014

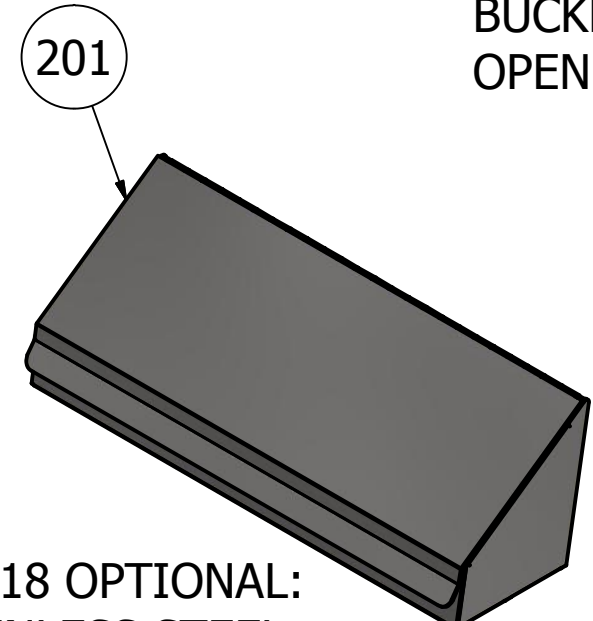
PARTS LIST			
ITEM	PART NUMBER	TITLE	QTY
9	H0511	1/4 - 20 X .375 SERRATED HH	2
21	H0425	10-32 X 0.25 PHIL TRUSS	4
23	H0148	6-32 X 1 PHIL TRUSS	4
24	H0627	6-32 KEPS NUT	4
185	80UC-LS-126	BUCKET CLOSED SWITCH BRACKET	1
187	80UC-LS-127	DRIP EDGE	1
190	E6002	ROLLER SWITCH	1
201	15-018	STAINLESS STEEL ENVELOPE STORAGE	1

14-194 WALL MOUNTED ENVELOPE STORAGE (COMES STANDARD)



BUCKET HOLD OPEN SWITCH

15-018 OPTIONAL: STAINLESS STEEL ENVELOPE BOX WALL MOUNT OR UNDER BUCKET



OPTIONAL ENVELOPE STORAGE	
PART NUMBER	DESCRIPTION
15-018	STAINLESS STEEL ENVELOPE BOX

LIGHT OPTION	
PART NUMBER	DESCRIPTION
E0058	LIGHT FIXTURE (MOUNTED IN HOUSING)
E0059	LIGHT BULB

OPTIONAL KEYS	
NUMBER	QUANTITY
7015YAB26KD26	26 KEYS
7015YAB26KD50	50 KEYS
7015YAB26KDA1	100 KEYS

3/16/15 CHANGED FASCIA TO LASER CUT LETTERING

THESE DRAWINGS ARE THE PROPERTY OF HAMILTON SAFE CO. AND SHALL NOT BE REPRODUCED OR COPIED OR USED AS THE BASIS FOR MANUFACTURE OR SALE OF APPARATUS WITHOUT PERMISSION		Hamilton Safe 7775 Cooper Rd. Cincinnati, Ohio 45242 Phone: (513)874-3733 www.hamiltonsafe.com	PAGE 10 OF 10
	TITLE 14-184	DATE 7/17/2014	